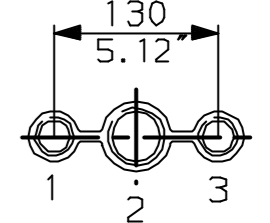
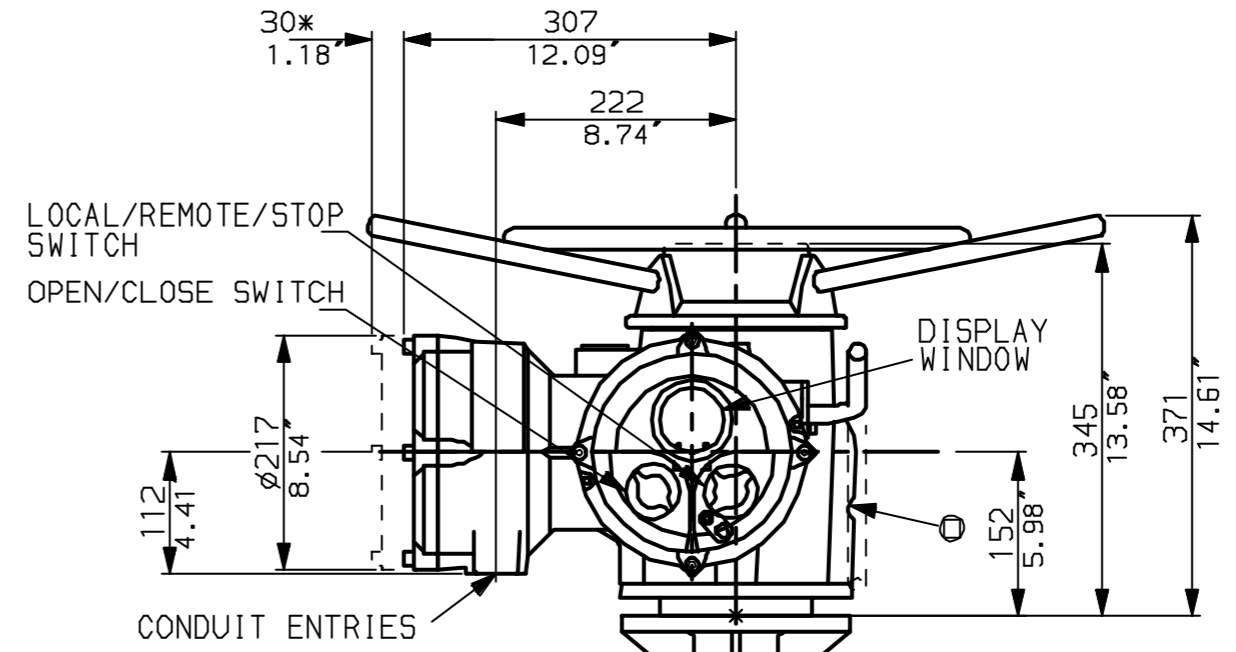
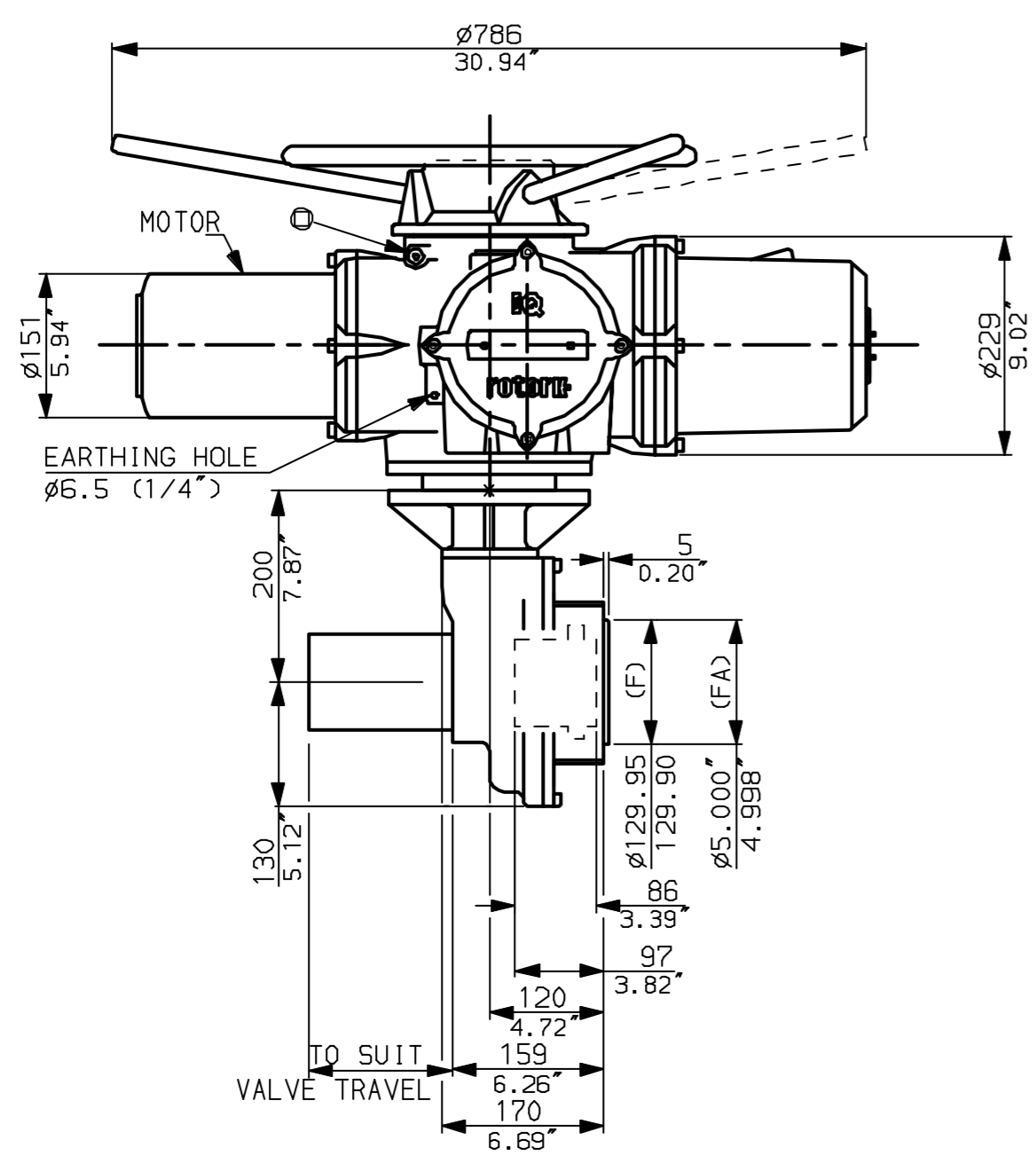


NOTES:
 * DIMENSIONS WITH '*' INDICATE COVER REMOVAL ALLOWANCE
 : NETT WEIGHT = 110kg (242lbs)
 : = OIL FILLER/DRAIN PLUG
 : THE INTERFACE PROVIDED FOR MOUNTING THE ACTUATOR OR SECOND STAGE GEARBOX ONTO THE VALVE SHOULD CONFORM TO GOOD ENGINEERING PRACTICES, ENSURING ADEQUATELY TOLERANCED LIMITS FOR PARALLELISM, PERPENDICULARITY AND CONCENTRICITY.

CONDUIT ENTRIES (N.T.S)

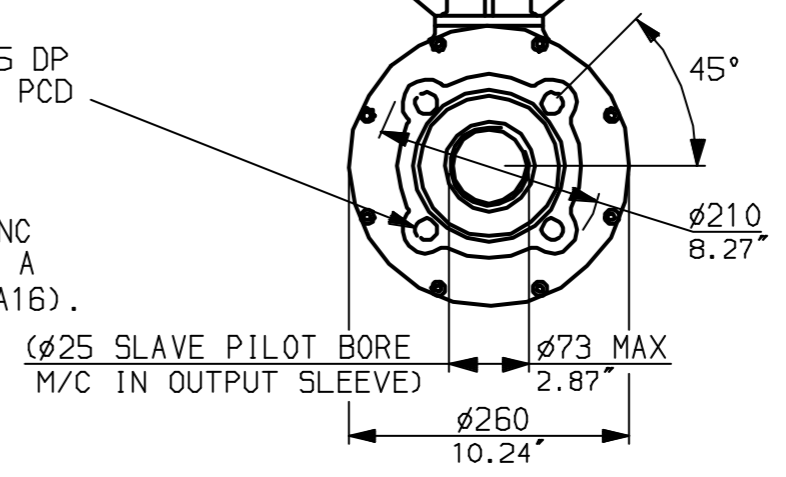


Nos.1 & 3 TAPPED 1" NPT
 No.2 TAPPED 1 1/2" NPT
 STD ALTERNATIVES IF SPECIFIED
 2 X M25, 1 X M40
 2 X PG16, 1 X PG29



"F" version
 4 HOLES TAPPED M20x25 DP
 EQUI-SPACED ON A 165 PCD
 (ISO5210 F16)

"FA" version
 4 HOLES TAPPED 3/4" UNC
 x1" dp EQUI-SPACED ON A
 6.5" PCD (MSS SP102-FA16).



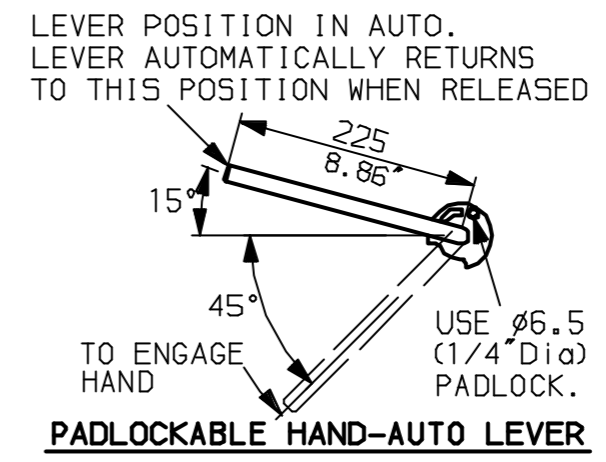
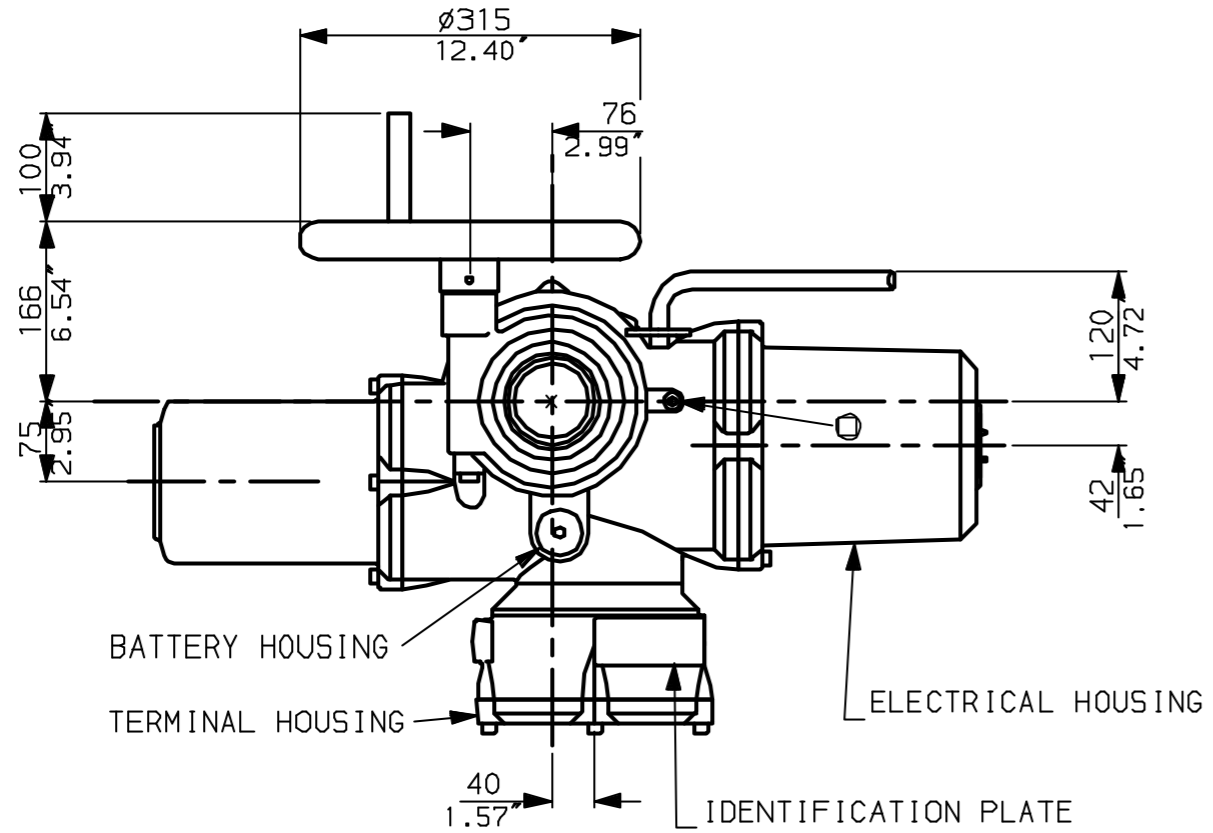
Rotork Controls Ltd.
 Bath England, BA1 3JQ.
 (Phone 01225-733200)

Rotork Controls Inc.
 Rochester, NY 14624
 (Phone 585-328-1550)

Title IQ35 (+IQM35+IQS35), THW, IB7,		
STANDARD DIMENSIONAL DATA		
Drawn CAD	Checked PRE	Ref Data Sheet
Date April 04	Job No IQ35THW_IB7	

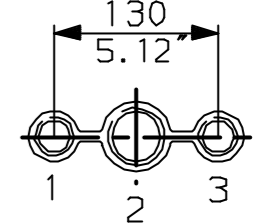
01	First Issue.
Scale 1:7	THIRD ANGLE PROJECTION
Drawing Number	IQ35THW_IB7

G
F
E
D
C
B
A

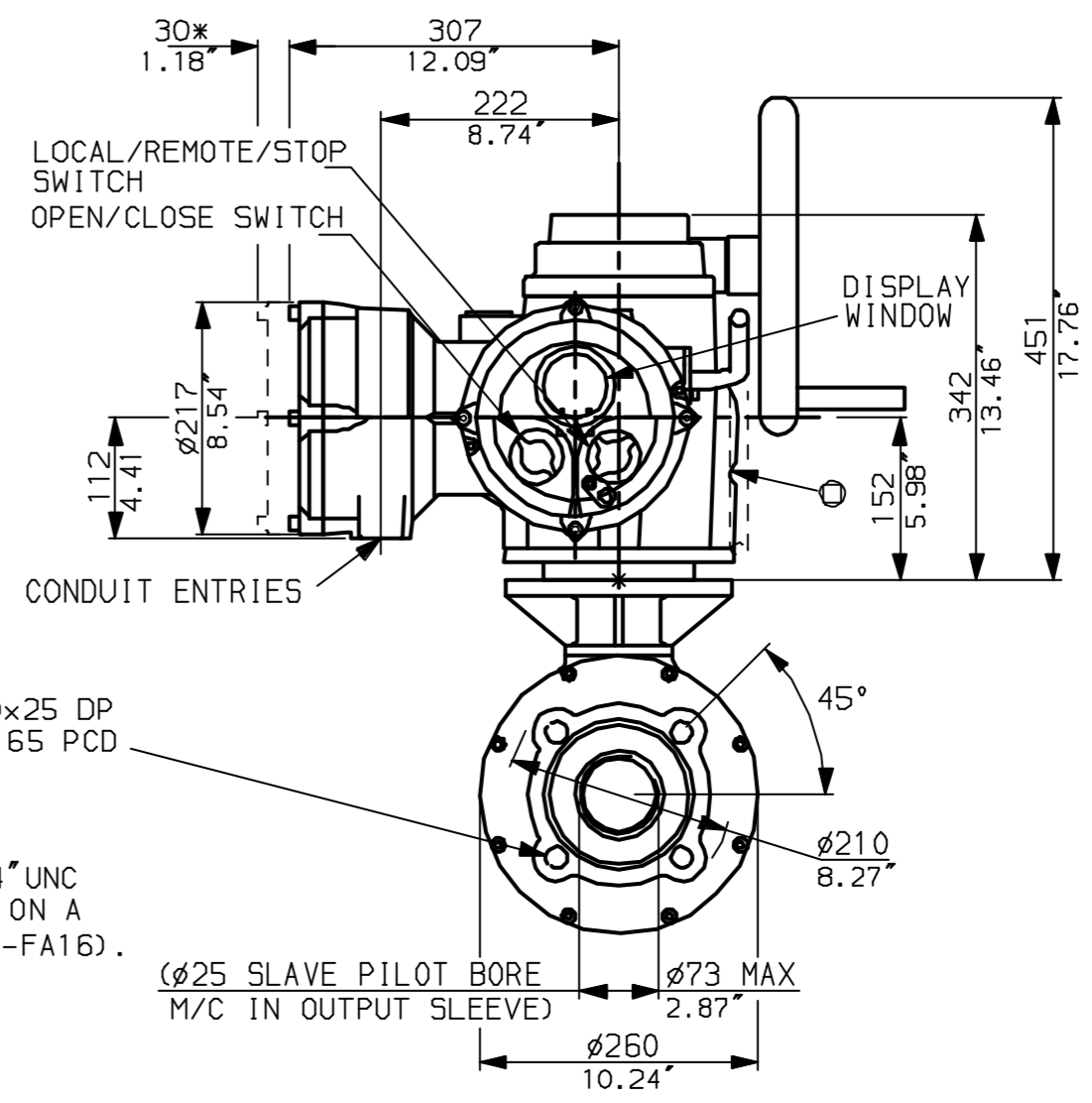
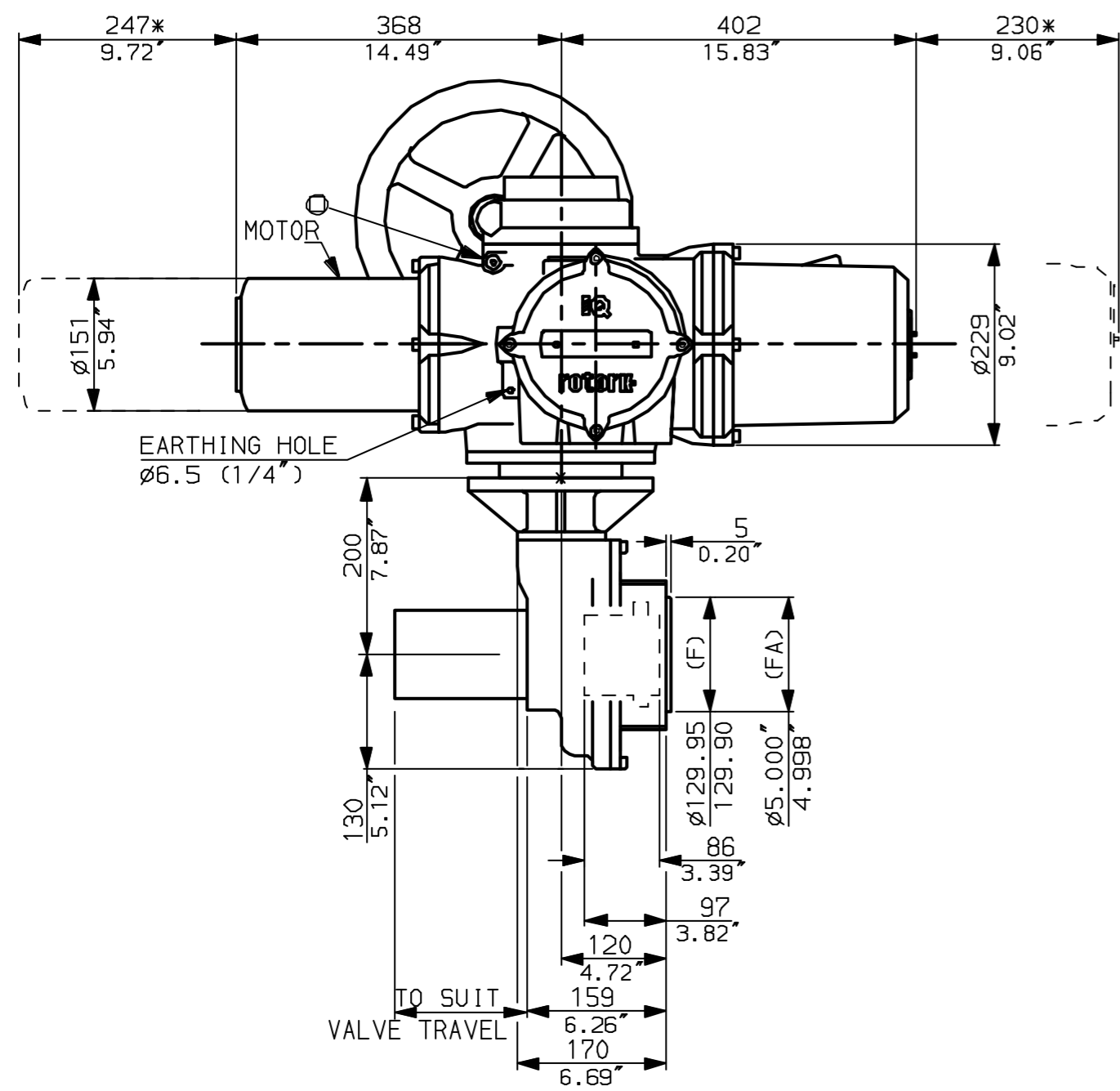


NOTES:
 * DIMENSIONS WITH '*' INDICATE COVER REMOVAL ALLOWANCE
 : NETT WEIGHT = 110kg (242lbs)
 : \odot = OIL FILLER/DRAIN PLUG
 : THE INTERFACE PROVIDED FOR MOUNTING THE ACTUATOR OR SECOND STAGE GEARBOX ONTO THE VALVE SHOULD CONFORM TO GOOD ENGINEERING PRACTICES, ENSURING ADEQUATELY TOLERANCED LIMITS FOR PARALLELISM, PERPENDICULARITY AND CONCENTRICITY.

CONDUIT ENTRIES (N.T.S)



Nos.1 & 3 TAPPED 1" NPT
 No.2 TAPPED 1 1/2" NPT
 STD ALTERNATIVES IF SPECIFIED
 2 X M25, 1 X M40
 2 X PG16, 1 X PG29



"F" version
 4 HOLES TAPPED M20x25 DP
 EQUI-SPACED ON A 165 PCD
 (ISO5210 F16)
 "FA" version
 4 HOLES TAPPED 3/4" UNC
 x1" dp EQUI-SPACED ON A
 6.5" PCD (MSS SP102-FA16).



Rotork Controls Ltd. Bath England, BA1 3JQ. (Phone 01225-733200)	Title IQ35 (+IQM35+IQS35), SHW, IB7,
Rotork Controls Inc. Rochester, NY 14624 (Phone 585-328-1550)	STANDARD DIMENSIONAL DATA
Drawn CAD Checked PRE Ref Data Sheet	Date April 04 Job No IQ35SHW_IB7

01 Issue	First Issue.
Scale 1:7	THIRD ANGLE PROJECTION
Drawing Number	IQ35SHW_IB7

1 | 2 | 3 | 4 | 5 | 6 | 7 | 8 | 9 | 10