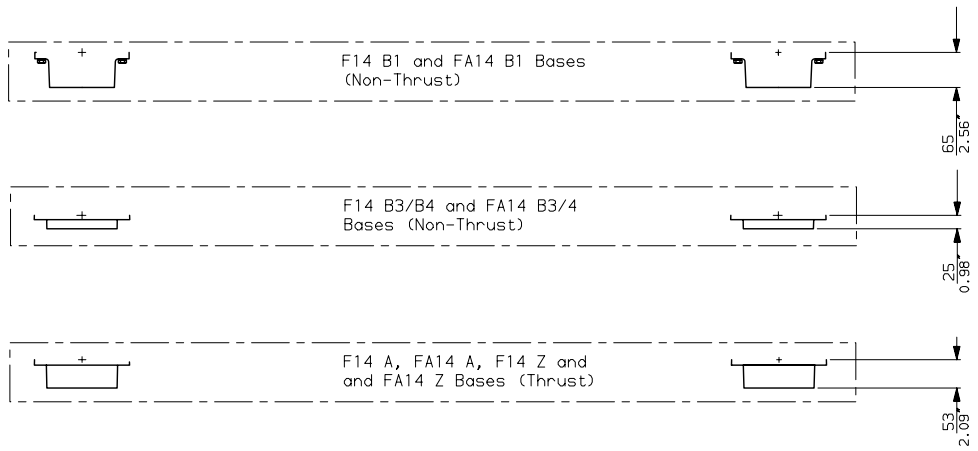
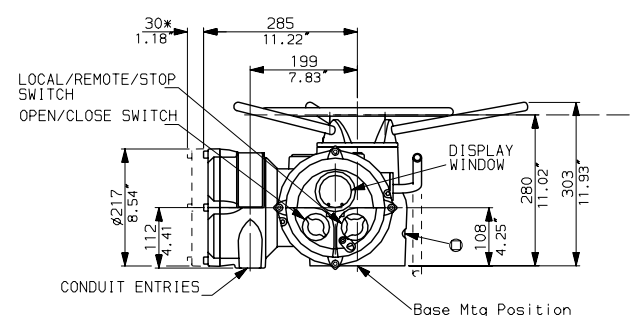
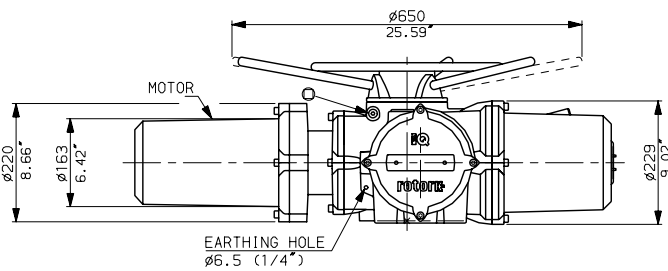
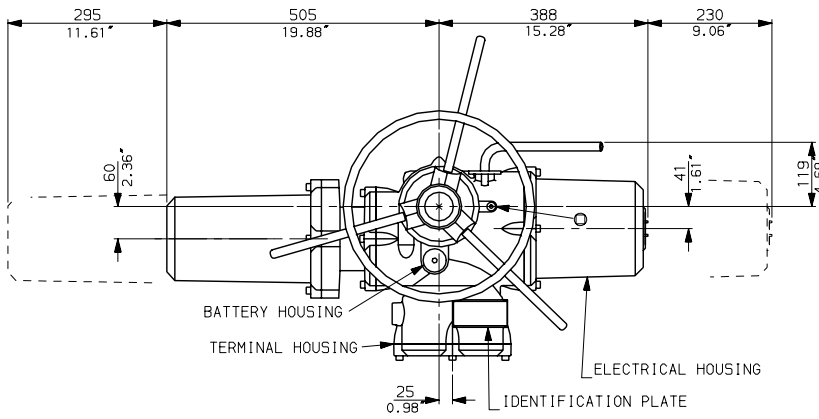
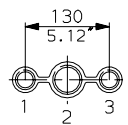


IQ25 DC WITH STANDARD HANDWHEEL



CONDUIT ENTRIES



Nos.1 & 3 TAPPED 1" NPT
 No.2 TAPPED 1 1/2" NPT
 STANDARD ALTERNATIVES IF SPECIFIED
 2 X M25, 1 X M40
 2 X PG16, 1 X PG29

NOTES

Three BASE options are detailed to suit the relevant Coupling arrangement.
 The required BASE for the SIDE & END views should be loaded to position indicated.

rotork	Rotork Controls Ltd. Bath, England BA1 3JQ Bath (01225) 733200
	IQ25 DC (THW) DATA Date 231104 Scale 1:12