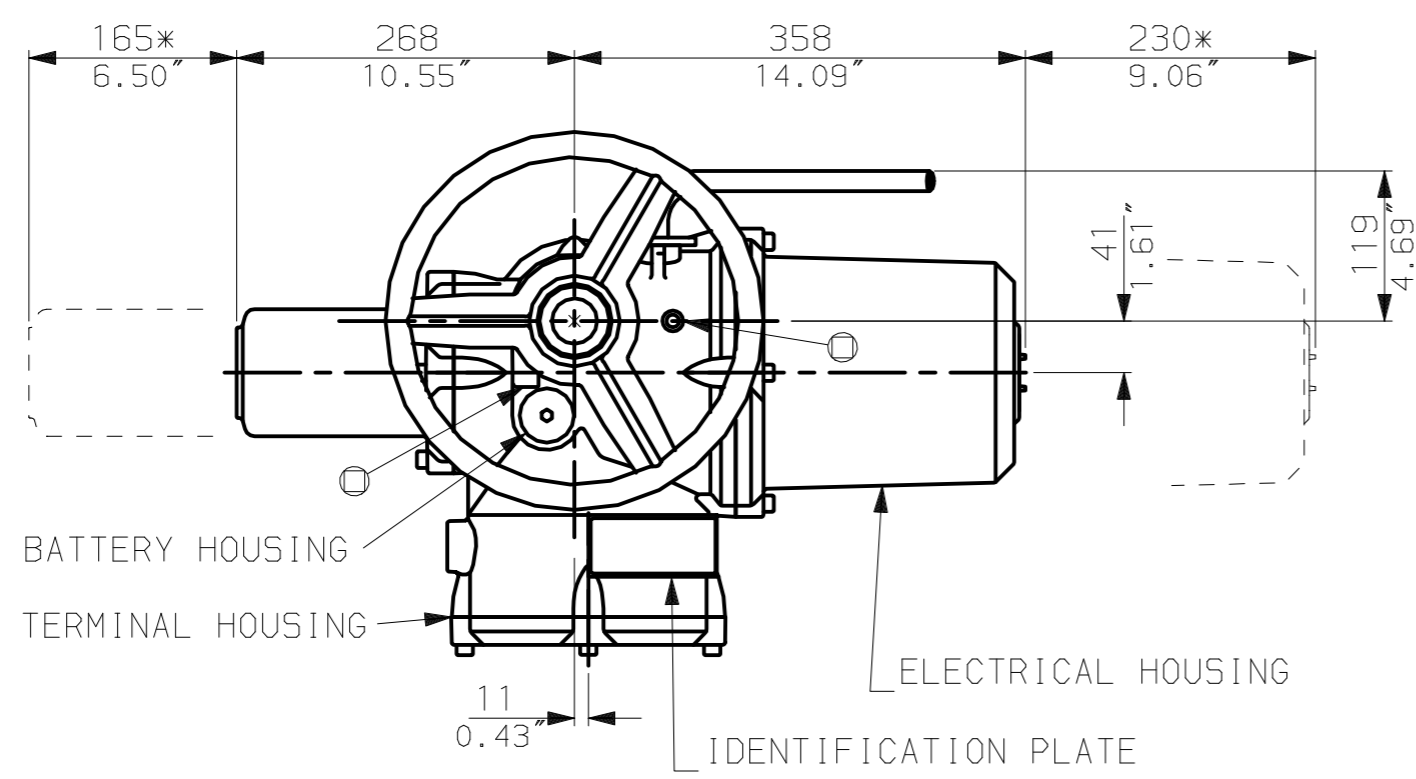
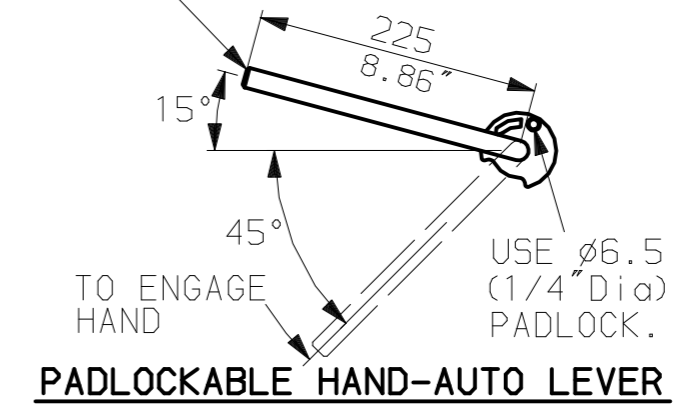


G  
F  
E  
D  
C  
B  
A

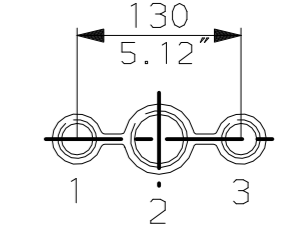


LEVER POSITION IN AUTO.  
LEVER AUTOMATICALLY RETURNS  
TO THIS POSITION WHEN RELEASED

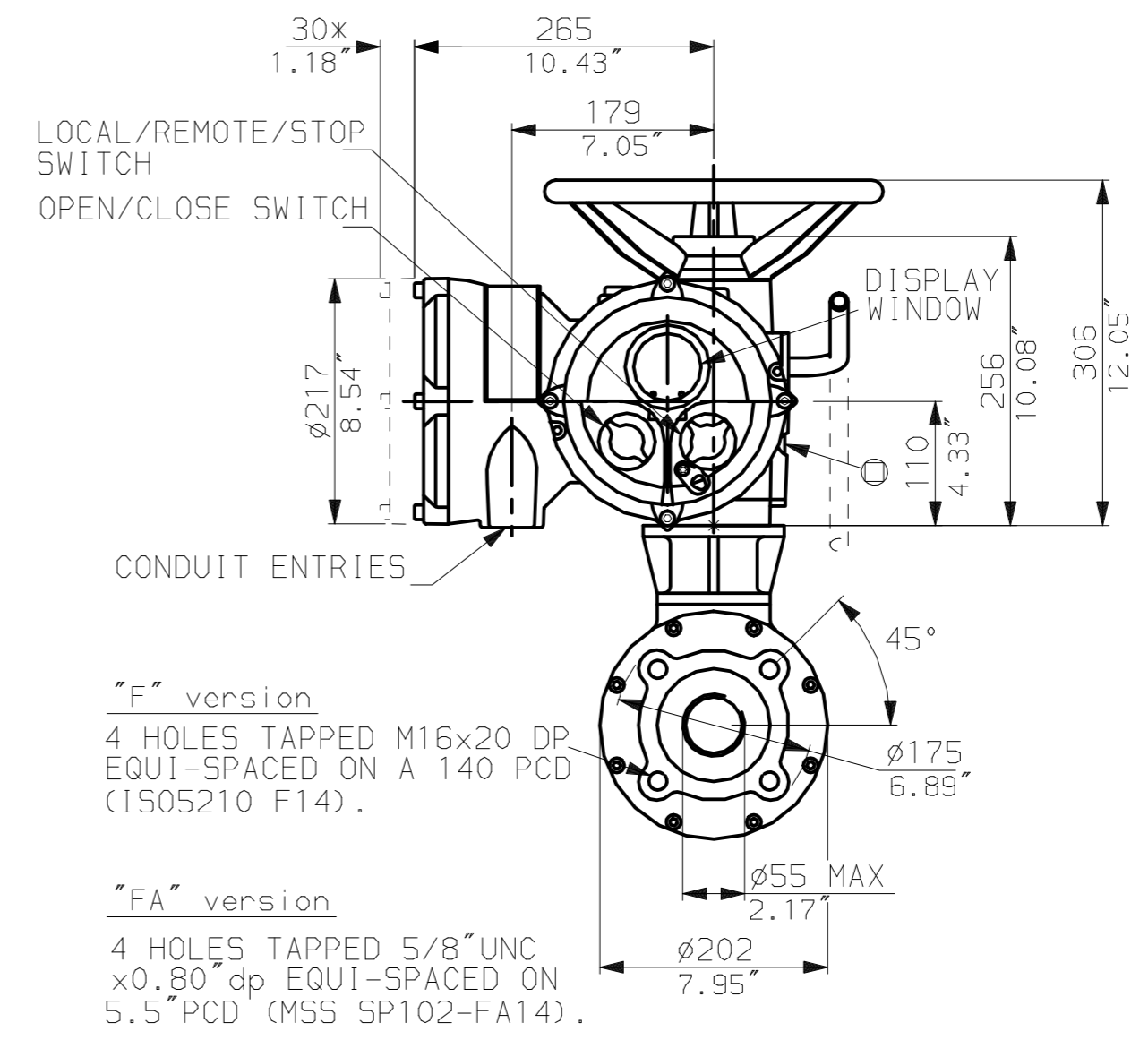
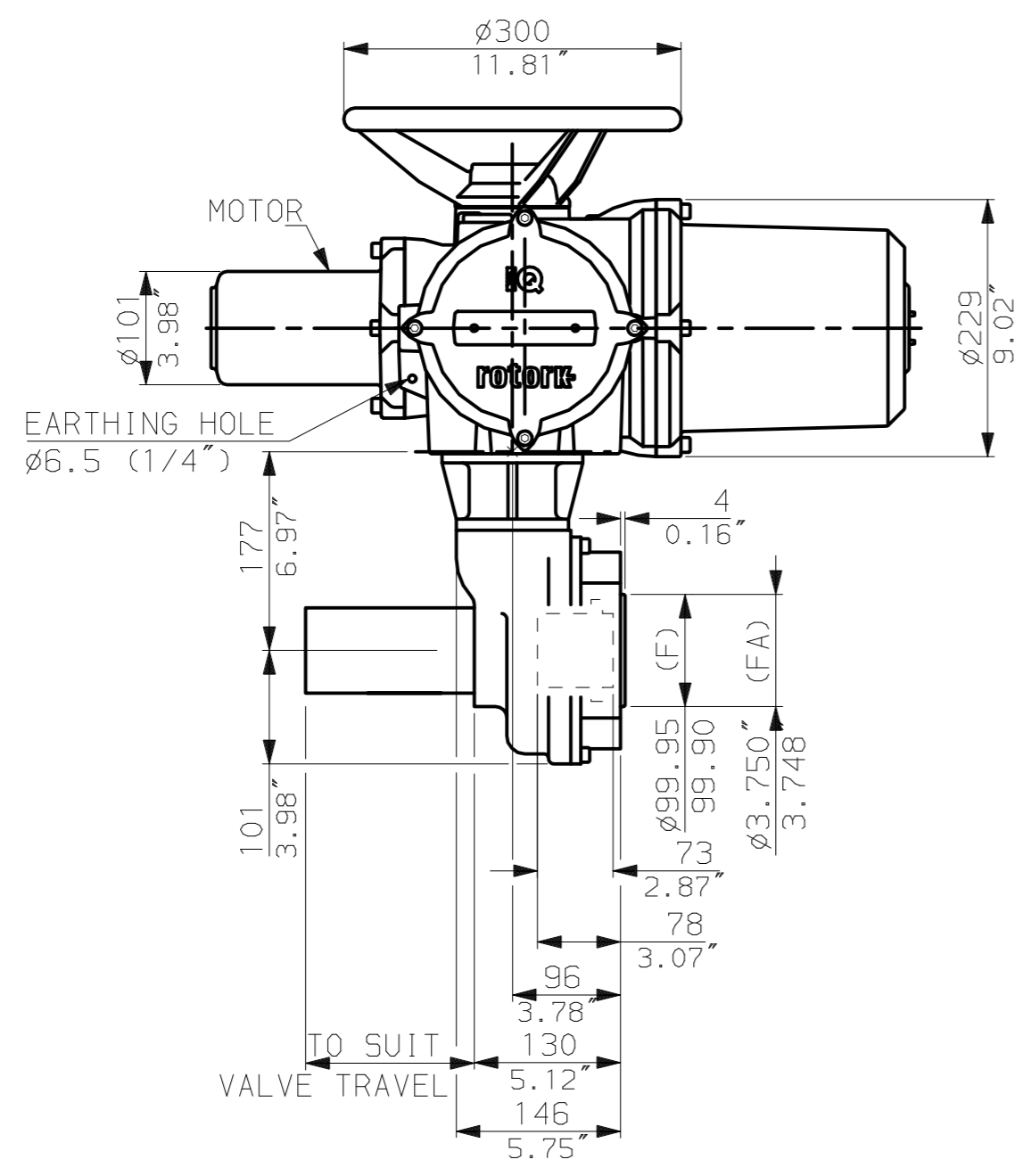


NOTES:  
: DIMENSIONS WITH '\*' INDICATE COVER REMOVAL ALLOWANCE  
: NETT WEIGHT = 52kg (114lbs)  
:  $\odot$  = OIL FILLER/DRAIN PLUG  
: THE INTERFACE PROVIDED FOR MOUNTING THE ACTUATOR OR SECOND STAGE GEARBOX ONTO THE VALVE SHOULD CONFORM TO GOOD ENGINEERING PRACTICES, ENSURING ADEQUATELY TOLERANCED LIMITS FOR PARALLELISM, PERPENDICULARITY AND CONCENTRICITY.

**CONDUIT ENTRIES** (N.T.S)



Nos.1 & 3 TAPPED 1" NPT  
No.2 TAPPED 1 1/2" NPT  
STD ALTERNATIVES IF SPECIFIED  
2 X M25, 1 X M40  
2 X PG16, 1 X PG29



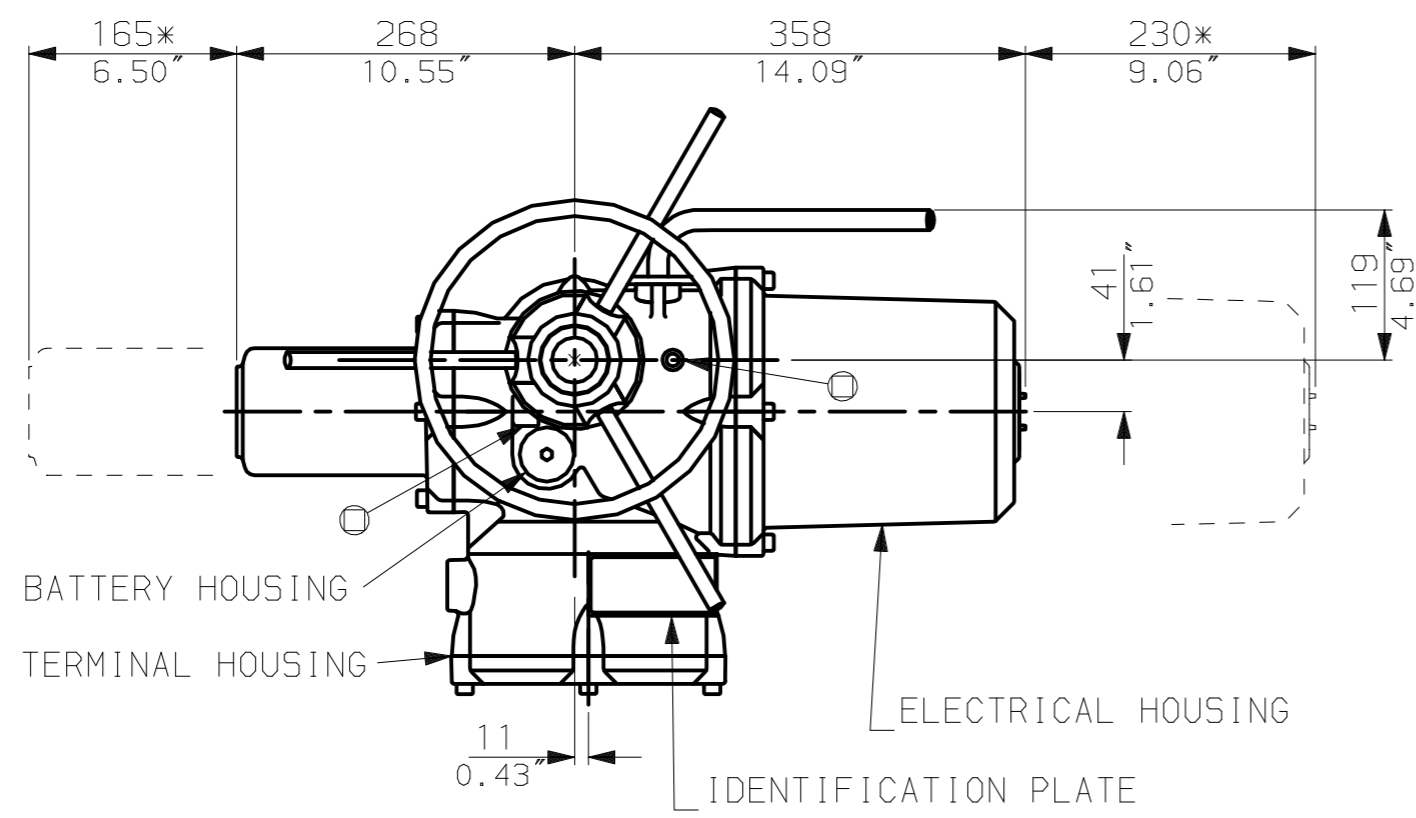
Rotork Controls Ltd.  
Bath England, BA1 3JQ.  
(Phone 01225-733200)  
Rotork Controls Inc.  
Rochester, NY 14624  
(Phone 585-328-1550)

Title IQ10, 12, 18, (+IQM10, 12+IQS12), THW, IB5,		
STANDARD DIMENSIONAL DATA		
Drawn CAD	Checked PRE	Ref Data Sheet
Date 150605	Job No IQ1THW_IB5	

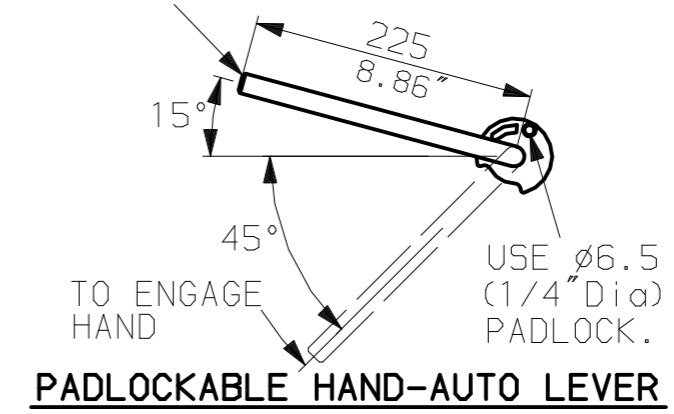
02	4.69" corrected from 6.50"
01 Issue	First Issue.
Scale	1:6 THIRD ANGLE PROJECTION
Drawing Number	IQ1THW_IB5

1 | 2 | 3 | 4 | 5 | 6 | 7 | 8 | 9 | 10

G  
F  
E  
D  
C  
B  
A

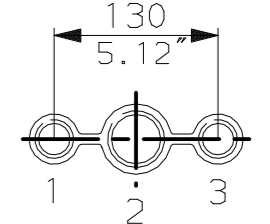


LEVER POSITION IN AUTO.  
LEVER AUTOMATICALLY RETURNS  
TO THIS POSITION WHEN RELEASED

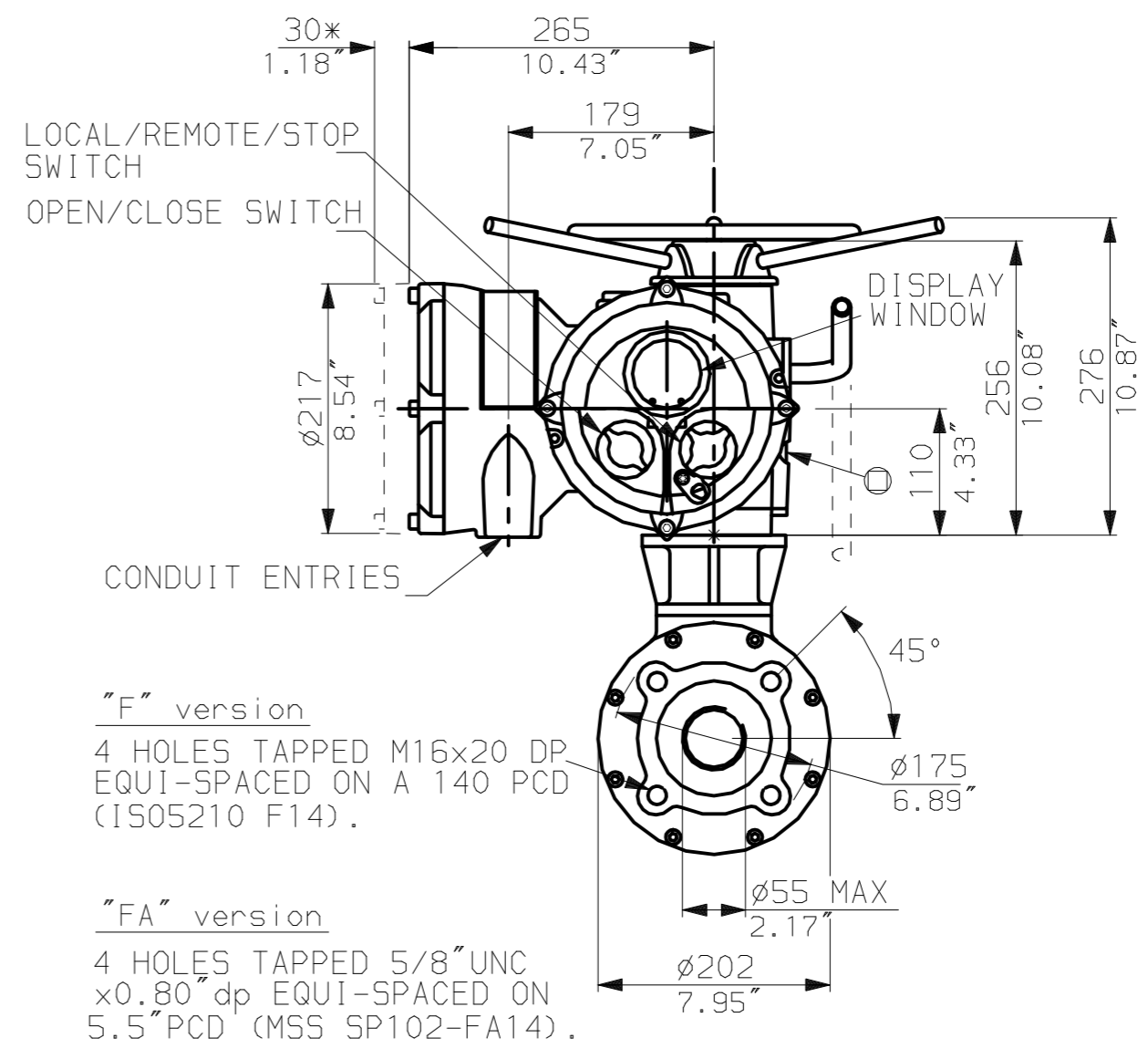
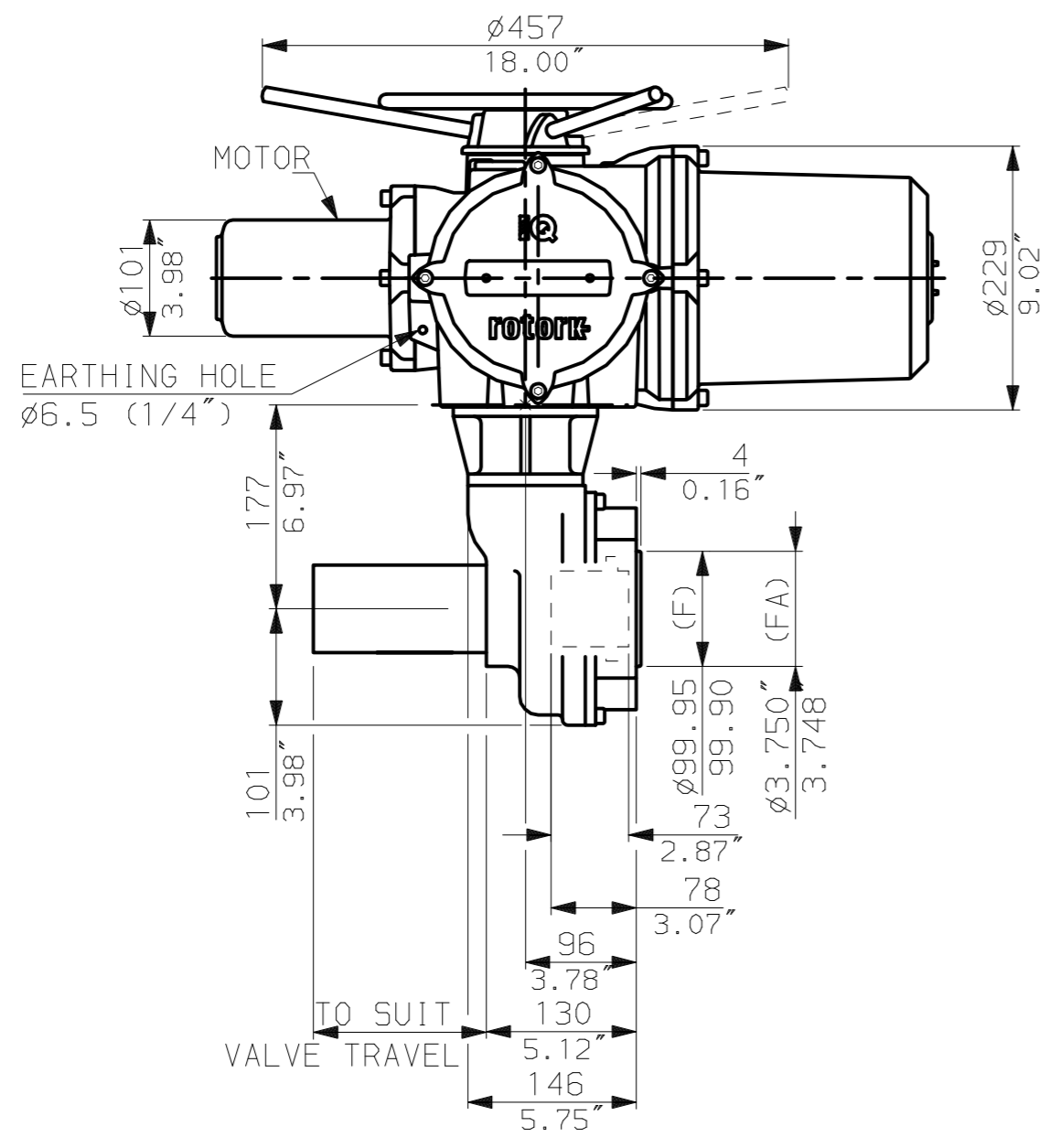


NOTES:  
: DIMENSIONS WITH '\*' INDICATE  
COVER REMOVAL ALLOWANCE  
: NETT WEIGHT = 52kg (114lbs)  
:  $\phi$  = OIL FILLER/DRAIN PLUG  
: THE INTERFACE PROVIDED FOR MOUNTING THE  
ACTUATOR OR SECOND STAGE GEARBOX ONTO THE  
VALVE SHOULD CONFORM TO GOOD ENGINEERING  
PRACTICES, ENSURING ADEQUATELY TOLERANCED  
LIMITS FOR PARALLELISM, PERPENDICULARITY  
AND CONCENTRICITY.

**CONDUIT ENTRIES** (N.T.S)



Nos.1 & 3 TAPPED 1" NPT  
No.2 TAPPED 1 1/2" NPT  
STD ALTERNATIVES IF SPECIFIED  
2 X M25, 1 X M40  
2 X PG16, 1 X PG29



Rotork Controls Ltd.  
Bath England, BA1 3JQ.  
(Phone 01225-733200)  
Rotork Controls Inc.  
Rochester, NY 14624  
(Phone 585-328-1550)

Title IQ10, 12, 18, (+IQM10, 12+IQS12), LTHW, IB5		
STANDARD DIMENSIONAL DATA		
Drawn CAD	Checked PRE	Ref Data Sheet
Date 150605	Job No IQ1LTHW_IB5	

02	4.69" corrected from 6.50"
01	First Issue.
Scale	1:6 THIRD ANGLE PROJECTION
Drawing Number	IQ1LTHW_IB5

1 2 3 4 5 6 7 8 9 10

