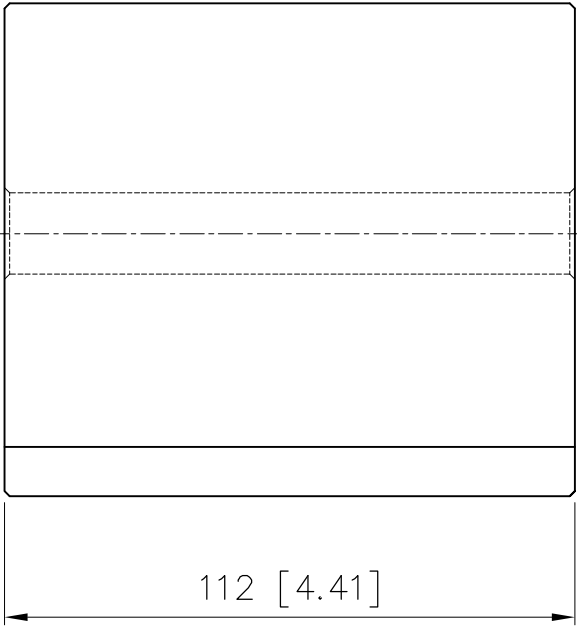


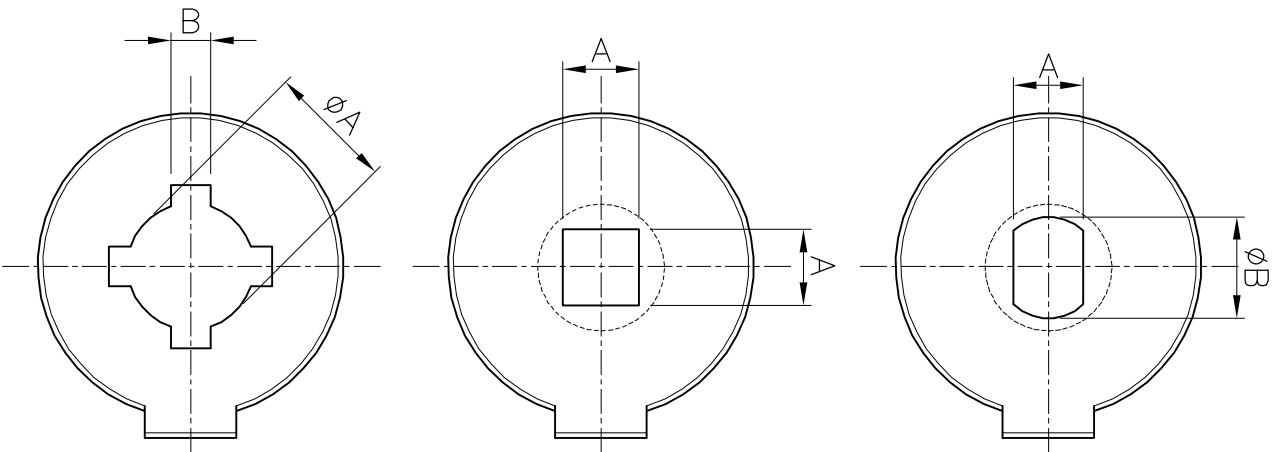
96.8 [3.81]

90 [3.54]

32 [1.26]



112 [4.41]



Rotor-gears nr.	A	B

Rotor-gears nr.	A
24W1900346001	46.0 [1.81]
24W1900355000	55.0 [2.17]

Rotor-gears nr.	A	B
24W1900016000	16.0 [0.63]	PILLOT

Suitable for : LG/D 5000

Dimensions in MM [inch]

rotork-gears

Nijverheidstraat 25
7581 XJ Loosdrecht
The Netherlands

INSERTS 500 (SINTERED)

THIS DOCUMENT IS PROPERTY OF ROTORK GEARS. NEITHER THIS OR ITS CONTENT MAY BE COPIED OR USED IN ANY OTHER WAY DETRIMENTAL TO THE INTEREST OF ROTORK GEARS. ACCEPTANCE OF THIS DOCUMENT SHALL CONSTITUTE ACKNOWLEDGEMENT OF THE FOREGOING CONDITIONS



Drawn : H.H

Date : 28-01-04

Dwg Nr.: A003-006

Rev.: 01

Contents Subject to change without notice.