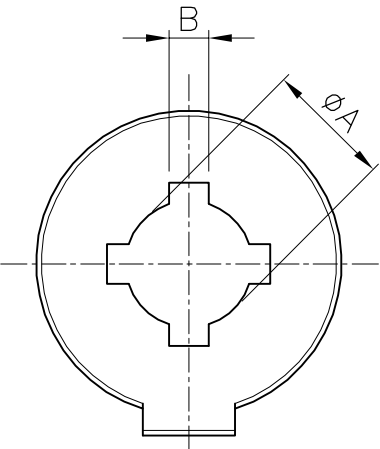
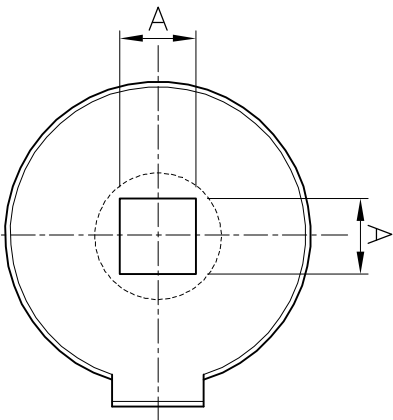
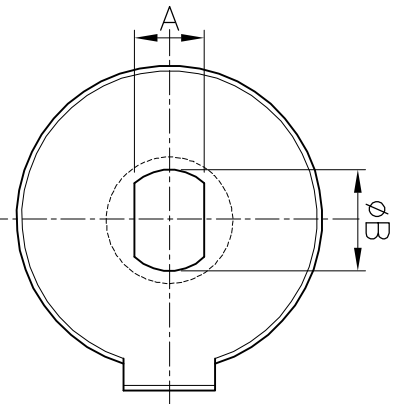


Adopter insert for using on 10-series in an 150-series insert
 Rotork Partnumber: 24U16000453C0



Rotork-gears nr.	A	B

Rotork-gears nr.	A
24U1600317000	17.0 [0.70]
24U1600322000	22.0 [0.87]
24U1600327000	27.0 [1.06]
24U1600330000	30.0 [1.18]
24U1600336000	36.0 [1.42]

Rotork-gears nr.	A	B
24U1600016000	16.0 [0.63]	PIL0T

Suitable for : ILG/D 1500	
AB 880	
AB 1250	
232-12	
232-11	
232-13	
232-14	

Dimensions in MM [inch]

rotork-gears

Nijverheidstraat 25
 7581 XJ Losser
 The Netherlands

INSERTS 150 (SINTERED)

THIS DOCUMENT IS PROPERTY OF ROTORK GEARS, NEITHER THIS OR ITS CONTENT MAY BE COPIED OR USED IN ANY OTHER WAY DETRIMENTAL TO THE INTEREST OF ROTORK GEARS. ACCEPTANCE OF THIS DOCUMENT SHALL CONSTITUTE ACKNOWLEDGEMENT OF THE FOREGOING CONDITIONS



Drawn : HH Date : 28-01-04
 Dwg Nr.: A003-004 Rev.: 04