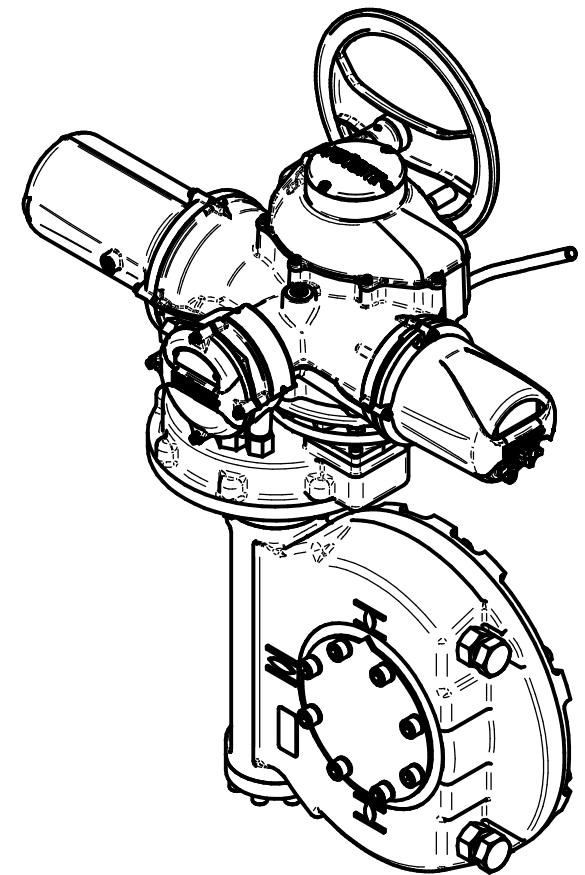
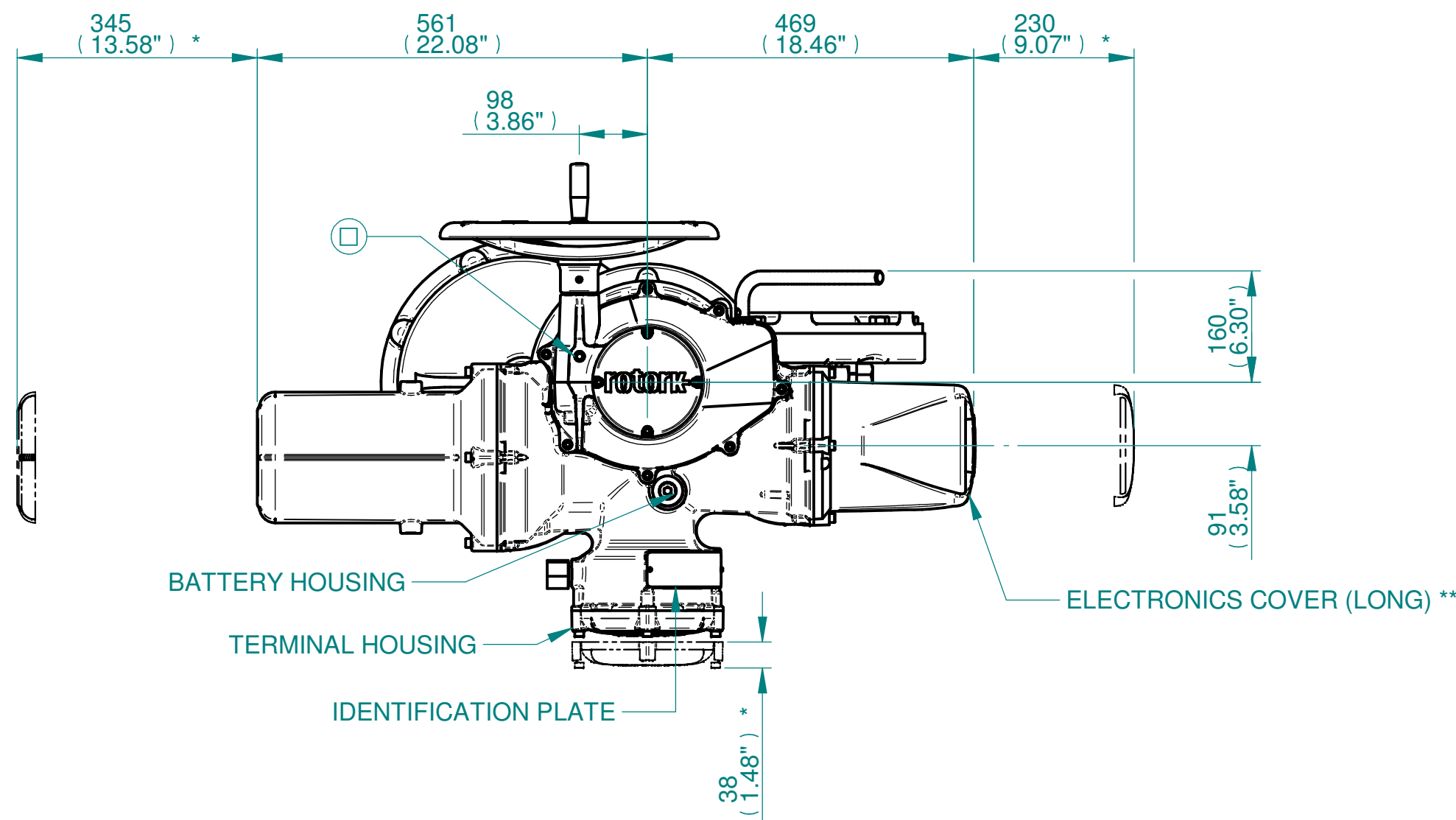
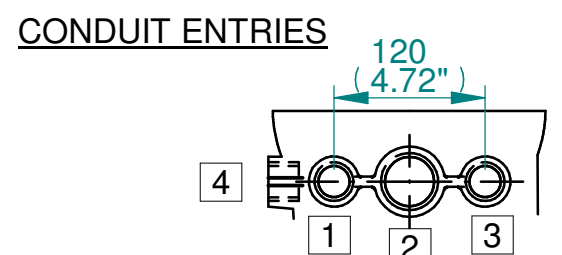


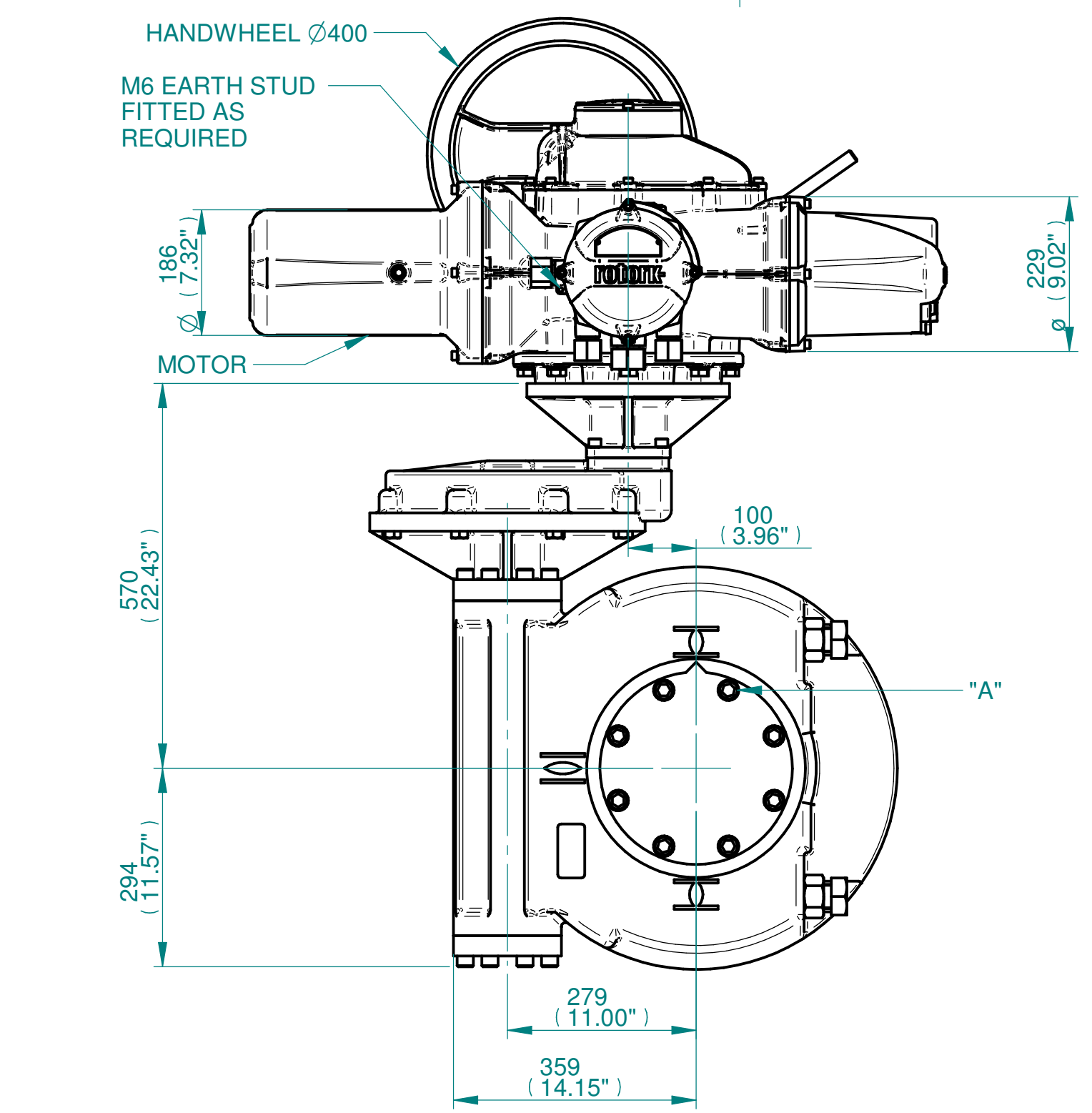
H  
G  
F  
E  
D  
C  
B  
A



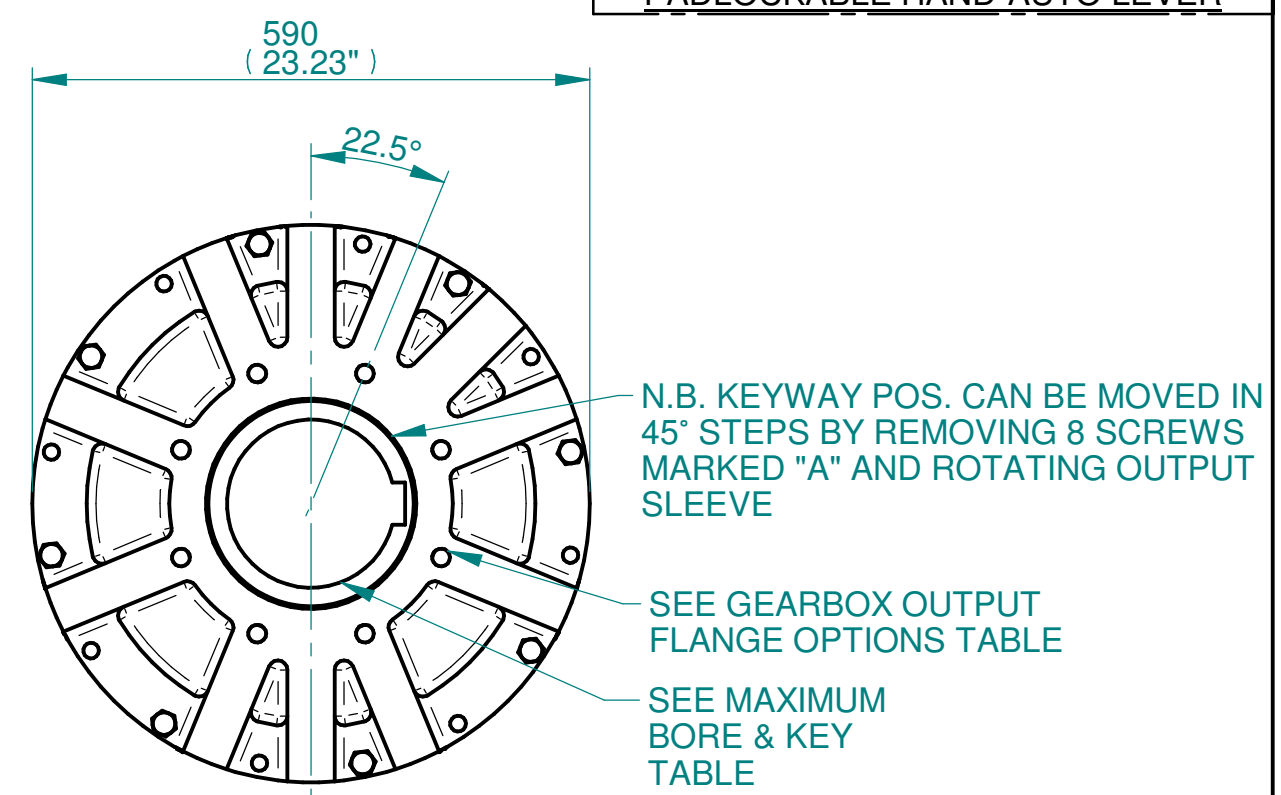
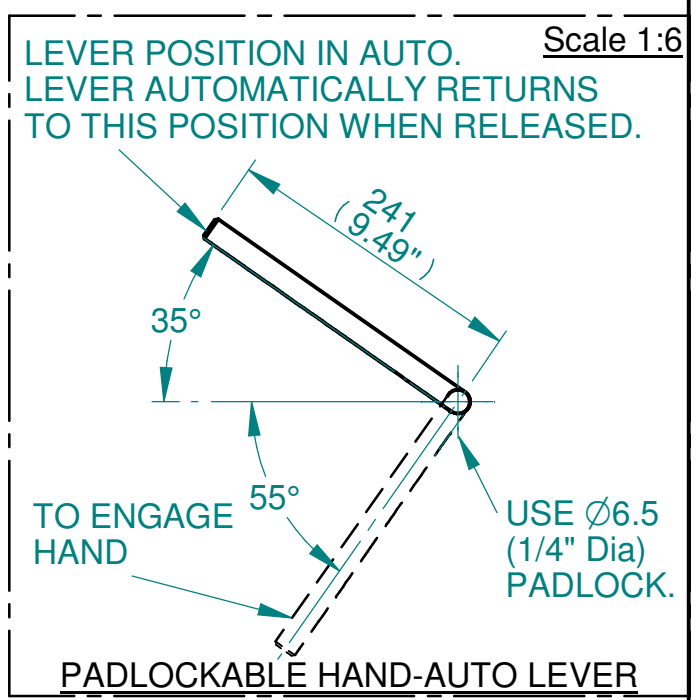
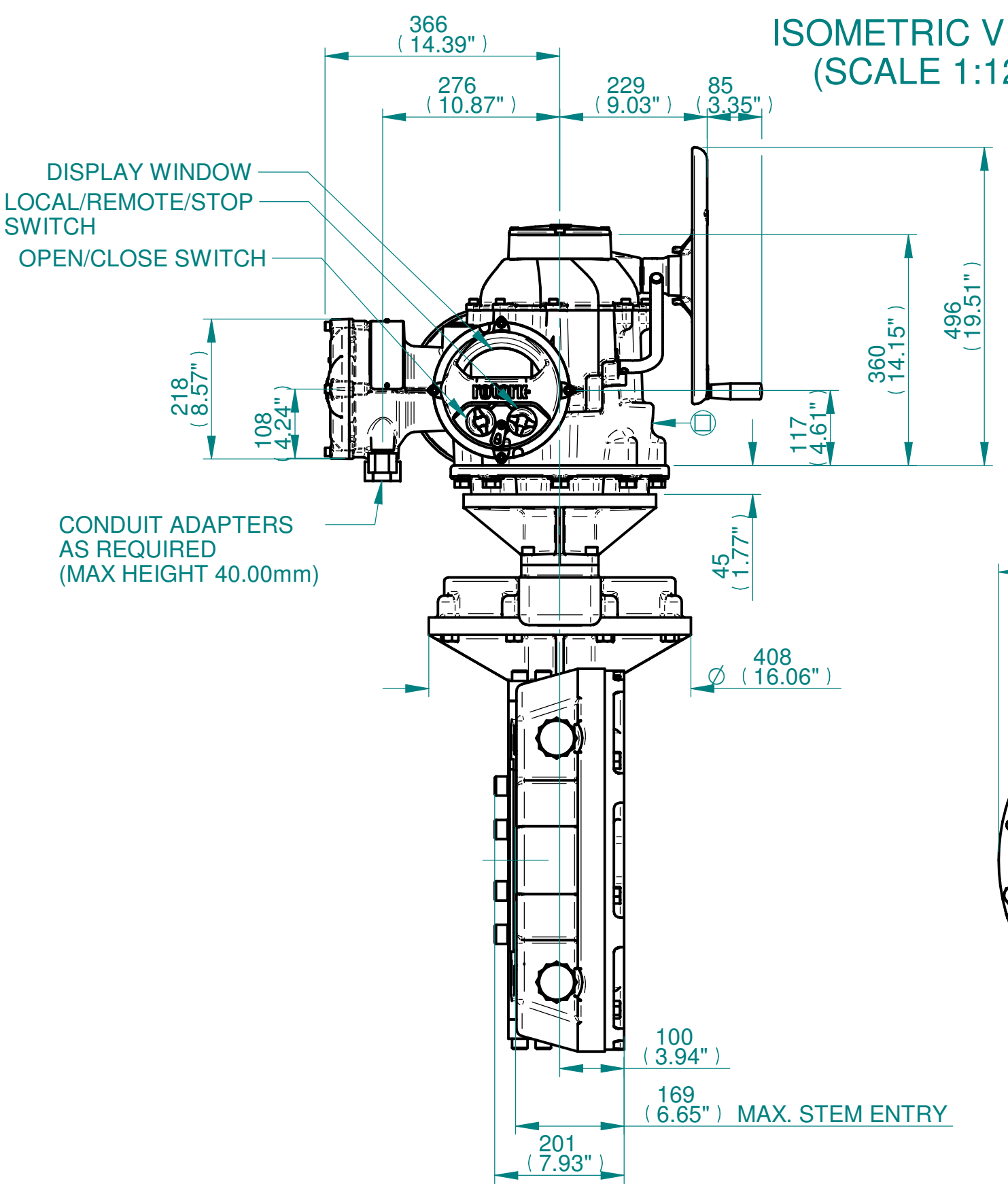
**NOTES:**  
 :DIMENSIONS WITH "\*" INDICATE COVER REMOVAL ALLOWANCE  
 :NETT WEIGHT = 422kg/930lbs  
 : = OIL FILLER/DRAIN PLUG  
 :THE INTERFACE PROVIDED FOR MOUNTING THE ACTUATOR OR SECOND STAGE GEARBOX ONTO THE VALVE SHOULD CONFORM TO GOOD ENGINEERING PRACTICES, ENSURING ADEQUATELY TOLERANCED LIMITS FOR PARALLELISM, PERPENDICULARITY AND CONCENTRICITY.  
 :ROTORCANNOT BE HELD LIABLE FOR DAMAGE TO OUR EQUIPMENT CAUSED BY EXCESSIVE LOADING FROM COVER TUBES. (SEE ALSO PUB000-124)



	Hole 1	Hole 2	Hole 3	Hole 4
Size	As Required	As Required	As Required	As Required
Plugged	As Required	As Required	As Required	As Required
Gland	As Required	As Required	As Required	As Required



**ISOMETRIC VIEW (SCALE 1:12)**



3D Models are available in various formats under the same drawing number



Actuator Size: IQ70/90/95 IW9RL/MOW9RL		Gearbox output flange options								Maximum Bore & Key			
Title	IQ70/90/95, SIDE H/W, IW9RL/MOW9RL, F30/F35/F40/FA30/FA35/FA40, Ratios 180:1 - 720:1 Installation Details	Designation	F30	F35	F40	-	FA30	FA35	FA40	-	Key form	Ø Bore	Key size
Drawn	TED	No. Holes	8	8	8	-	8	8	8	-	Rectangle (BS4235)	178	45 X 25
Checked	NJC	Hole size	M20	M30	M36	-	3/4" UNC	1" UNC	1-1/4" UNC	-	Rectangle (ANSI B17.1)	6-1/2"	1-1/2 X 1"
Date	18-AUG-14	PCD	298	356	406	-	11.75"	14"	16"	-	Square (ANSI B17.1)	6-1/2"	1-1/2" SQ
Ref	SALES	Project Ref	QUOTATION										

Issue	Description
2	4 ENTRY CHANGE

Scale: 1:8 THIRD ANGLE PROJECTION

Drawing Number	Issue No	Sheet No
I15SHWIW9RLSTD	2	1 of 1

1 2 3 4 5 6 7 8 9 10 11 12