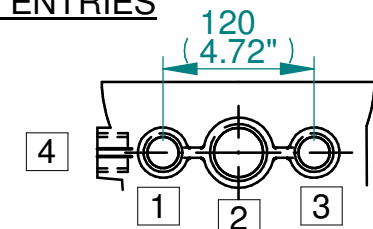
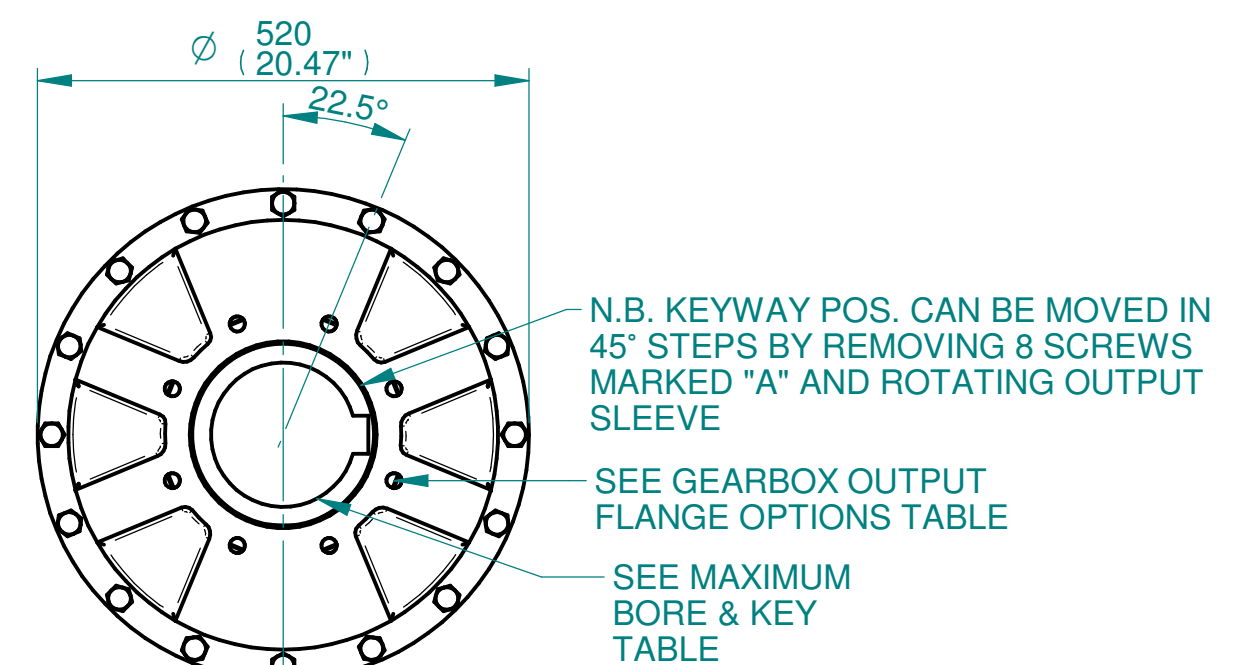
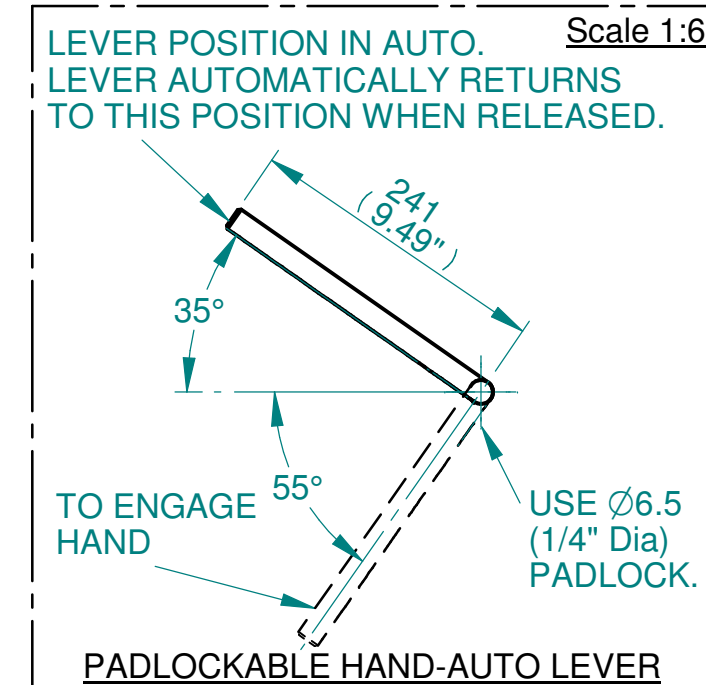
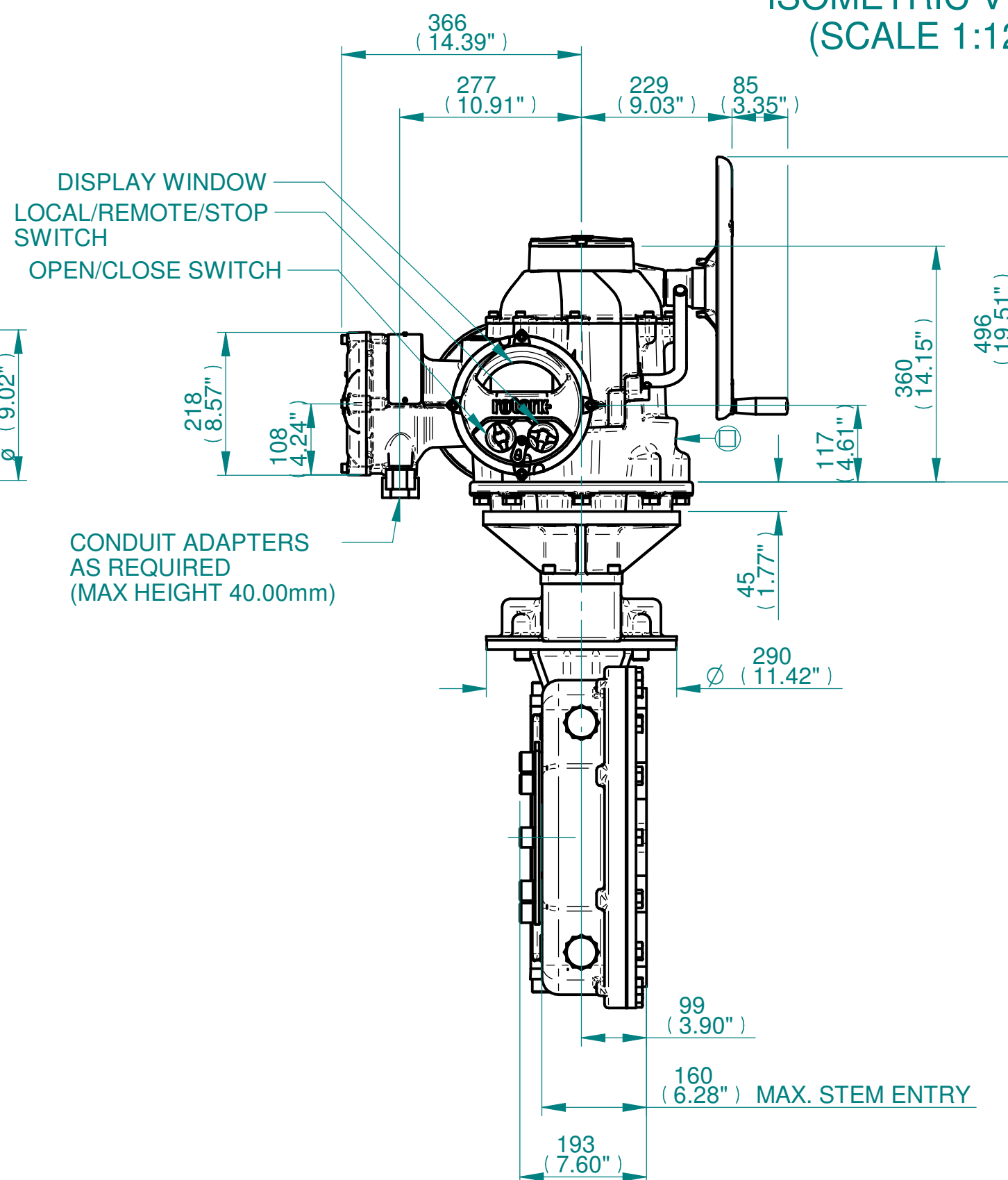
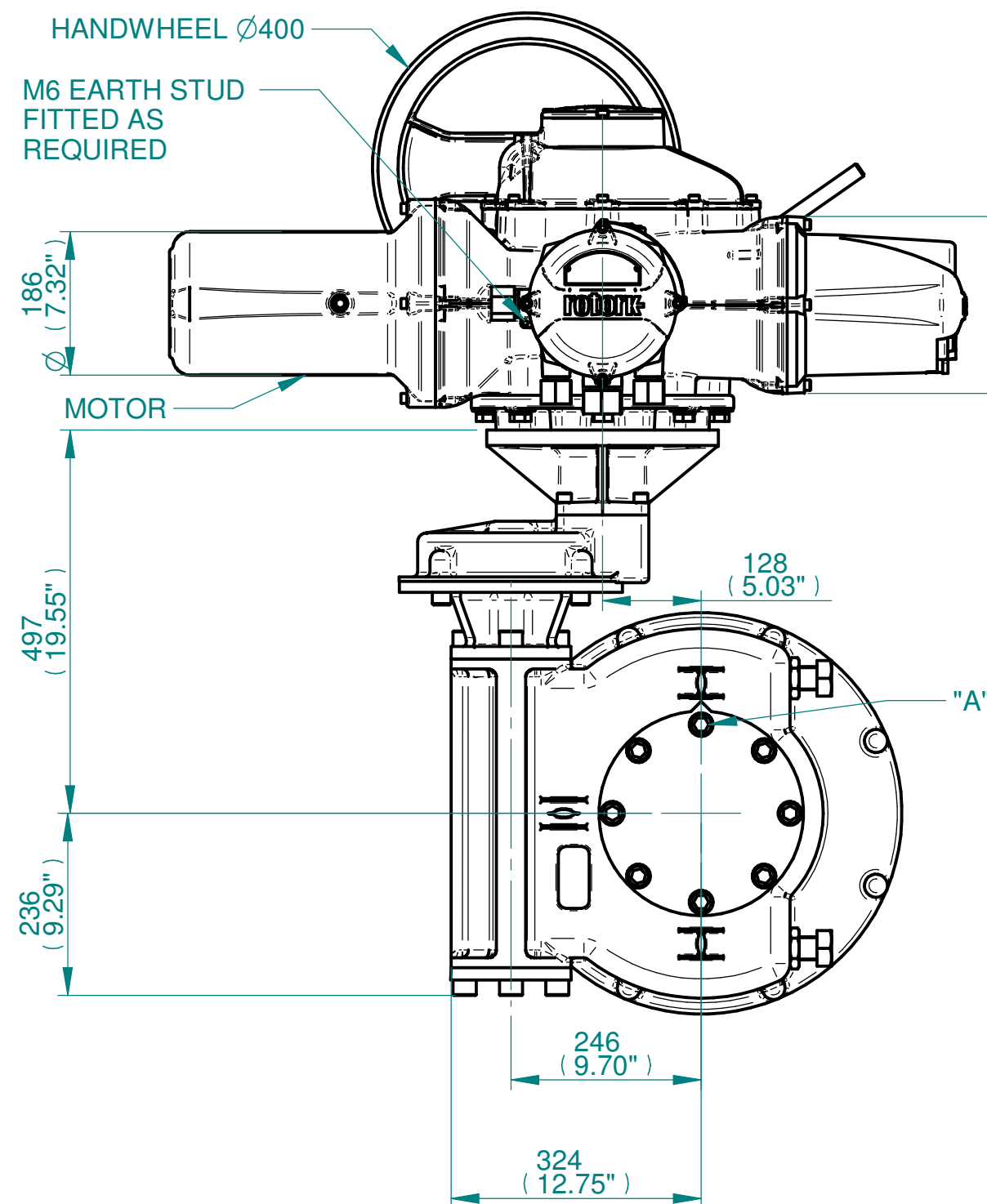


ISOMETRIC VIEW  
(SCALE 1:12)

CONDUIT ENTRIES



	Hole 1	Hole 2	Hole 3	Hole 4
Size	As Required	As Required	As Required	As Required
Plugged	As Required	As Required	As Required	As Required
Gland	As Required	As Required	As Required	As Required



3D Models are available in various formats under the same drawing number

Actuator Size: IQ70/90/95 IW82RL/MOW82RL		Gearbox output flange options								Maximum Bore & Key						
Title	IQ70/90/95, SIDE H/W, IW82RL/MOW82RL, F25/F30/F35/F40/ FA25/FA30/FA35/FA40, Ratios 120:1 - 360:1 Installation Details	Designation	F25	F30	F35	F40	FA25	FA30	FA35	FA40	Key form	Ø Bore	Key size			
Drawn	TED	Checked	NJC	Date	18-AUG-14	No. Holes	8	8	8	8	8	8	8	Rectangle (BS4235)	157	40 X 22
Hole size	M16	M20	M30	M36	5/8" UNC	3/4" UNC	1" UNC	1-1/4" UNC	Rectangle (ANSI B17.1)	6"	1-1/2 X 1"					
PCD	254	298	356	406	10"	11-3/4"	14"	16"	Square (ANSI B17.1)	5-5/8"	1-1/2" SQ					

Issue	Description
2	4 ENTRY CHANGE

Scale: 1:8

THIRD ANGLE PROJECTION

Drawing Number	Issue No	Sheet No
I15SHWIW82RLSTD	2	1 of 1

**rotork**  
www.rotork.com

Rotork Controls Limited  
Bath, BA1 3JQ, England.  
Telephone 01225-733200