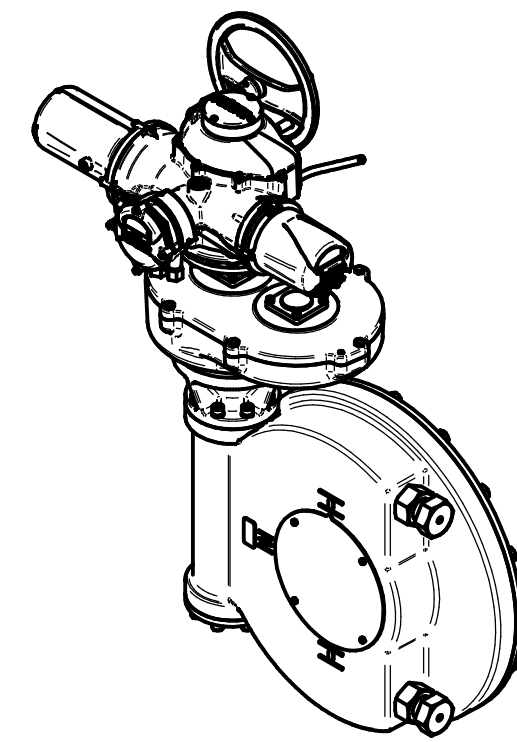
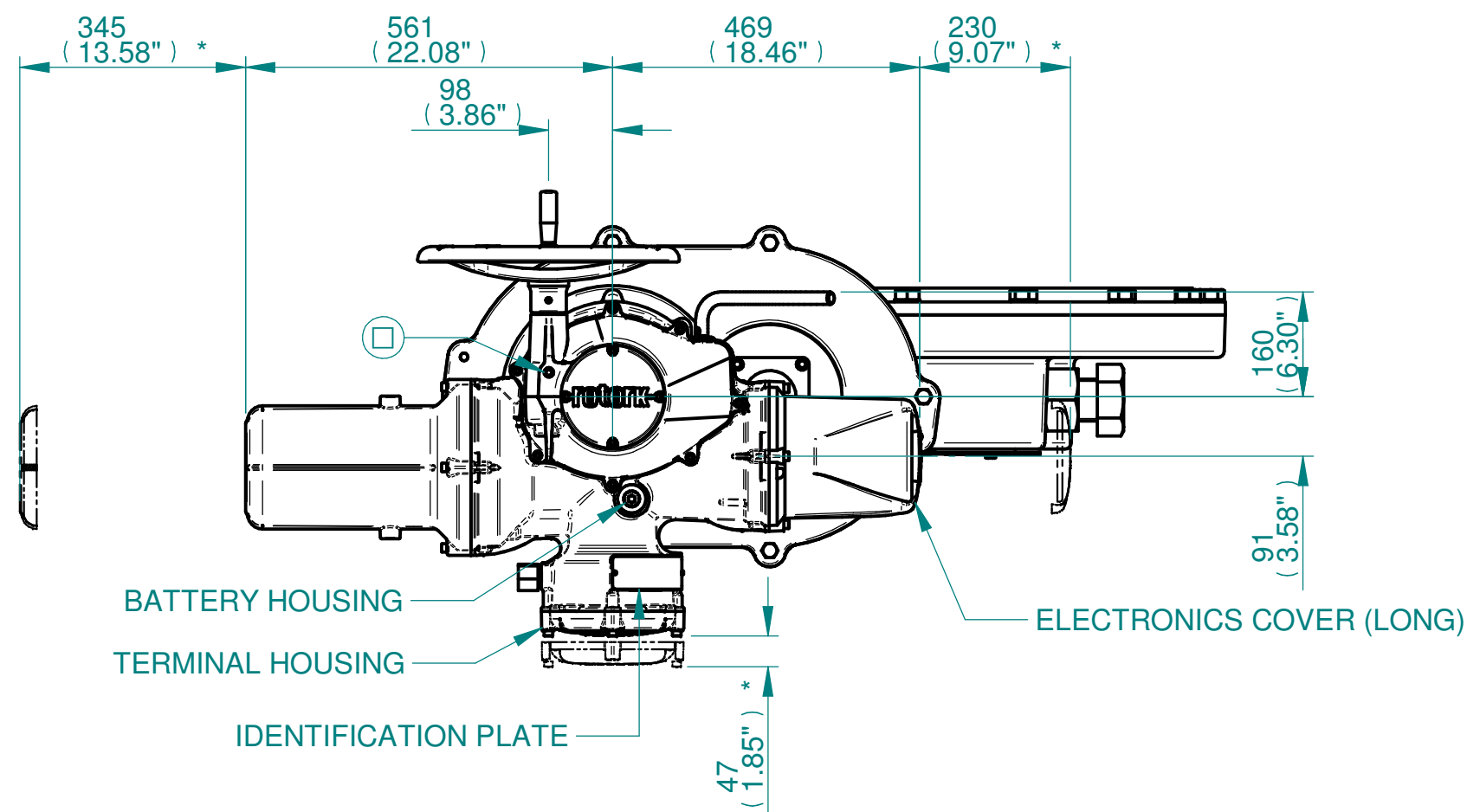
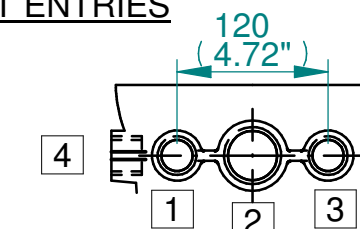


H
G
F
E
D
C
B
A

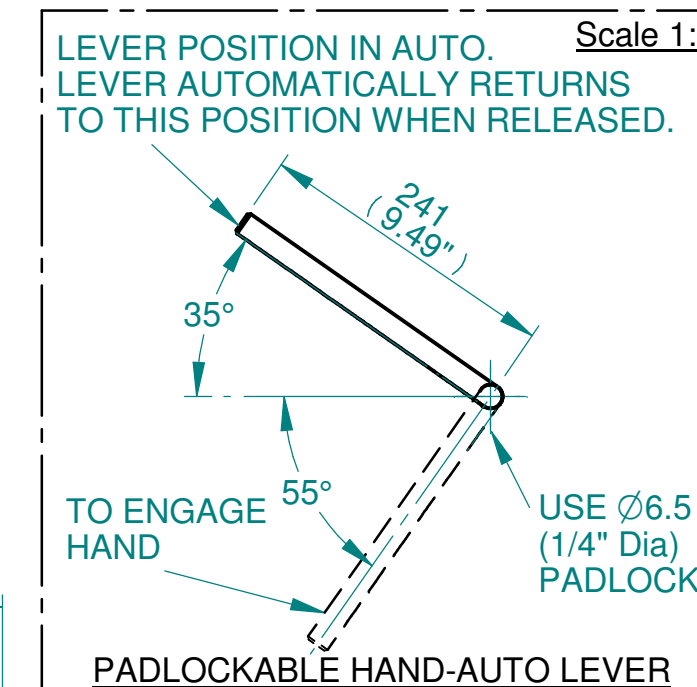
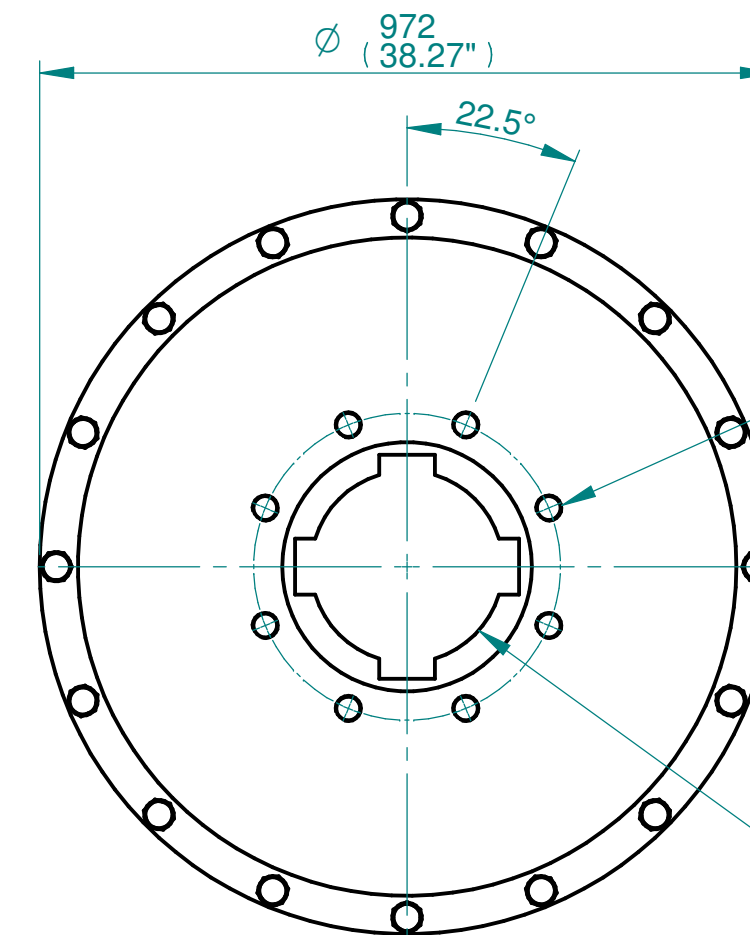
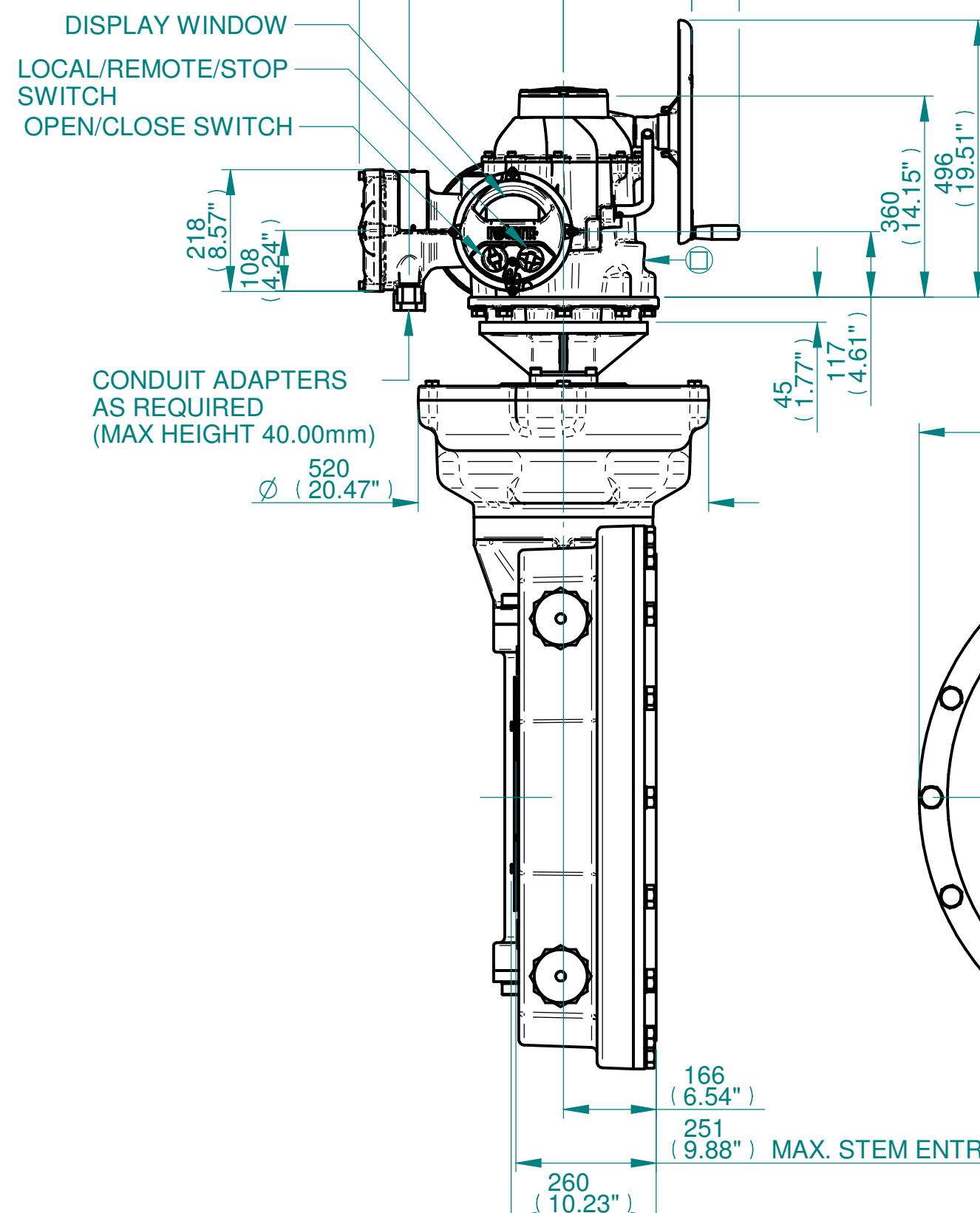
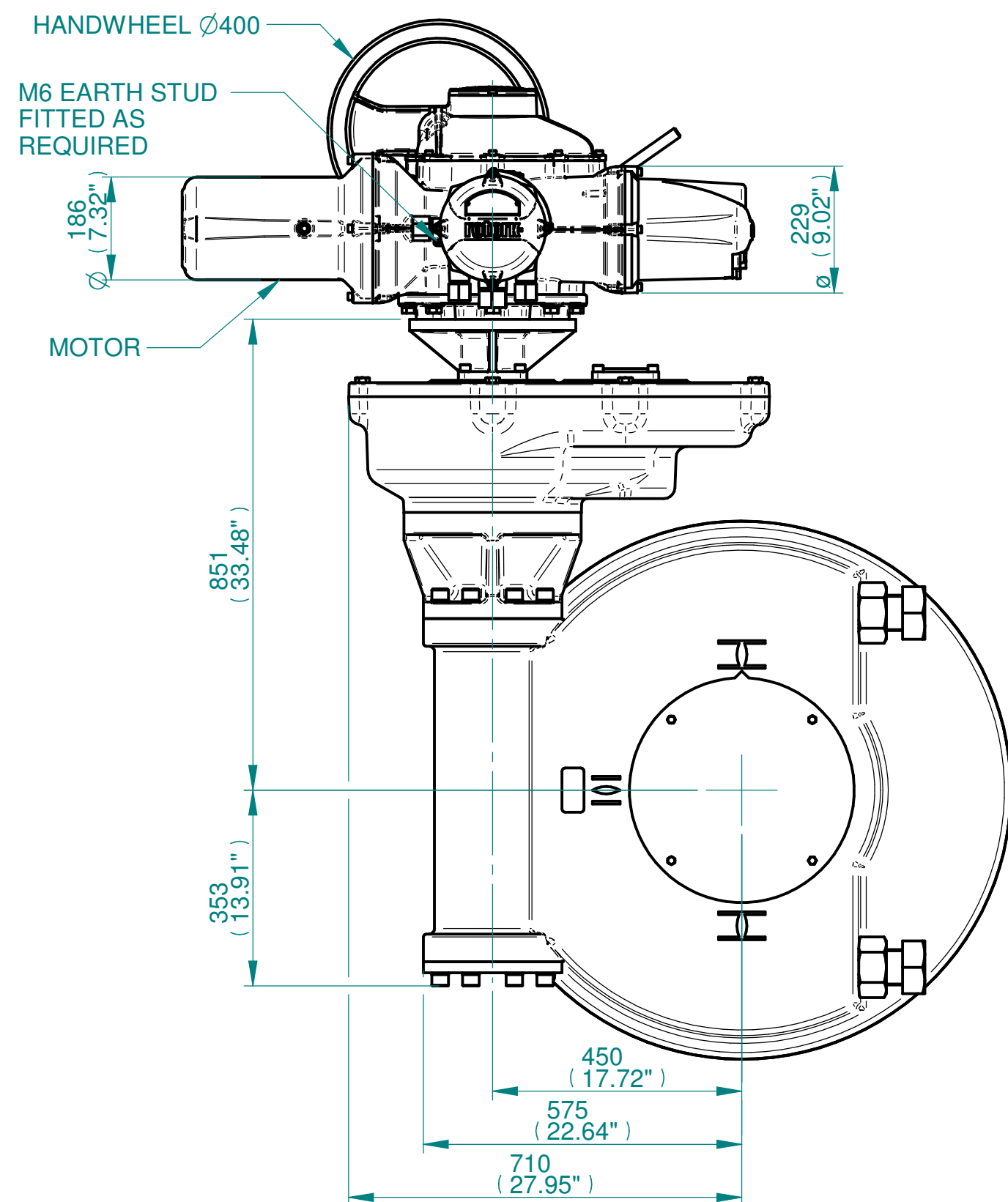


ISOMETRIC VIEW
(SCALE 1:20)

CONDUIT ENTRIES



	Hole 1	Hole 2	Hole 3	Hole 4
Size	As Required	As Required	As Required	As Required
Plugged	As Required	As Required	As Required	As Required
Gland	As Required	As Required	As Required	As Required



SEE GEARBOX OUTPUT FLANGE OPTIONS TABLE

SEE MAXIMUM BORE & KEY TABLE

3D Models are available in various formats under the same drawing number

Actuator Size: IQ70/90/95 IW13IR4		Gearbox output flange options								Maximum Bore & Key							
Title	IQ70/90/95, SIDE HANDWHEEL, IW13IR4, F/FA35,40,48 & 60, Ratios 240 - 1120:1 Installation Details	Designation	F35	F40	F48	F60	FA35	FA40	FA48	FA60	Key form	Ø Bore	Key size				
Drawn	TED	Checked	NJC	Date	18-AUG-14	No. Holes	8	8	12 NOT SHOWN	20 NOT SHOWN	8	8	12 NOT SHOWN	20 NOT SHOWN	Rectangle (BS4235)	272	70 X 36
Hole size	M30	M36	M36	M36	1" UNC	1-1/4" UNC	1-1/4" UNC	1-1/4" UNC	1-1/4" UNC	Rectangle (ANSI B17.1)	10-1/4"	2-1/2 X 1-3/4"					
PCD	356	406	483	603	14"	16"	19"	23.75"	Square (ANSI B17.1)	9-1/2"	2-1/2" SQ						

Issue	Description
3	OUTPUT FLANGE CHANGE
Scale: 1:10	
THIRD ANGLE PROJECTION	
A2	Drawing Number Issue No Sheet No
I15SHWIW13IR4STD	3 1 of 1

rotork
www.rotork.com

Rotork Controls Limited
Bath, BA1 3JQ, England.
Telephone 01225-733200

1 2 3 4 5 6 7 8 9 10 11 12