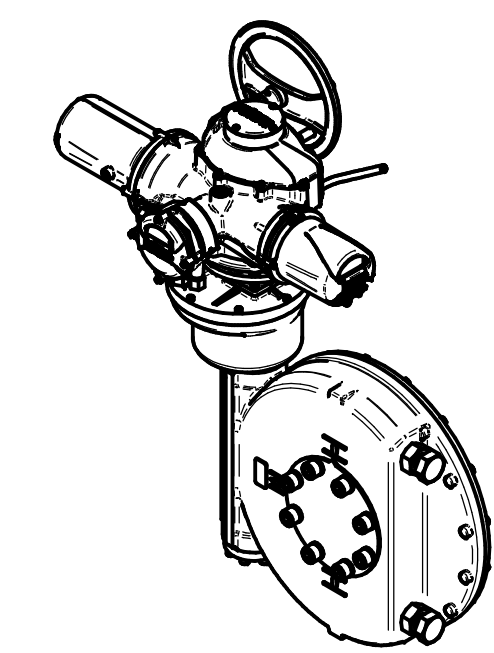
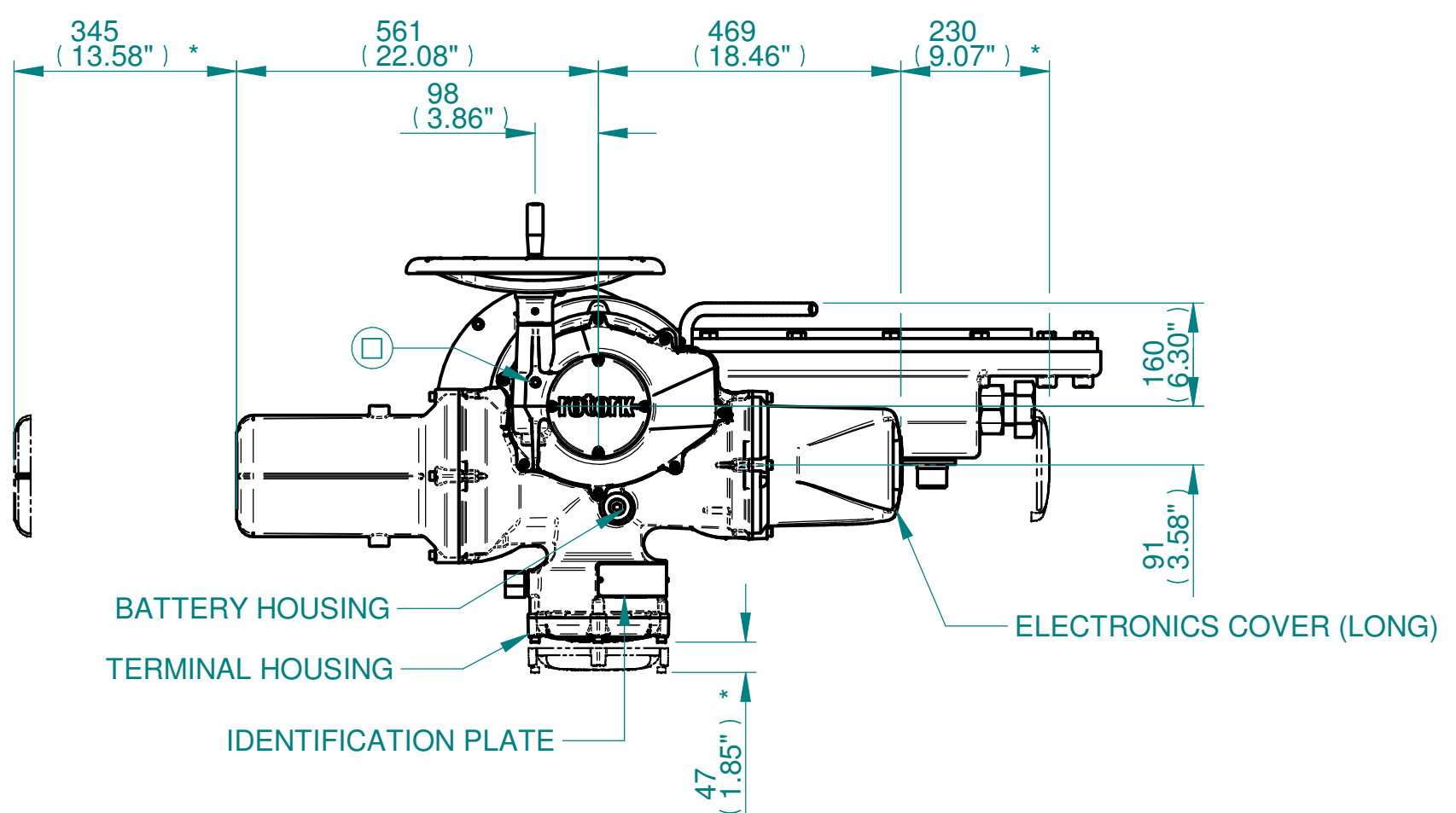

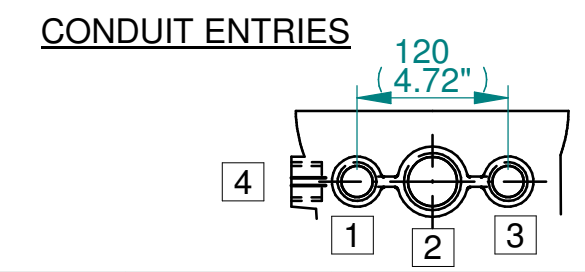


H
G
F
E
D
C
B
A

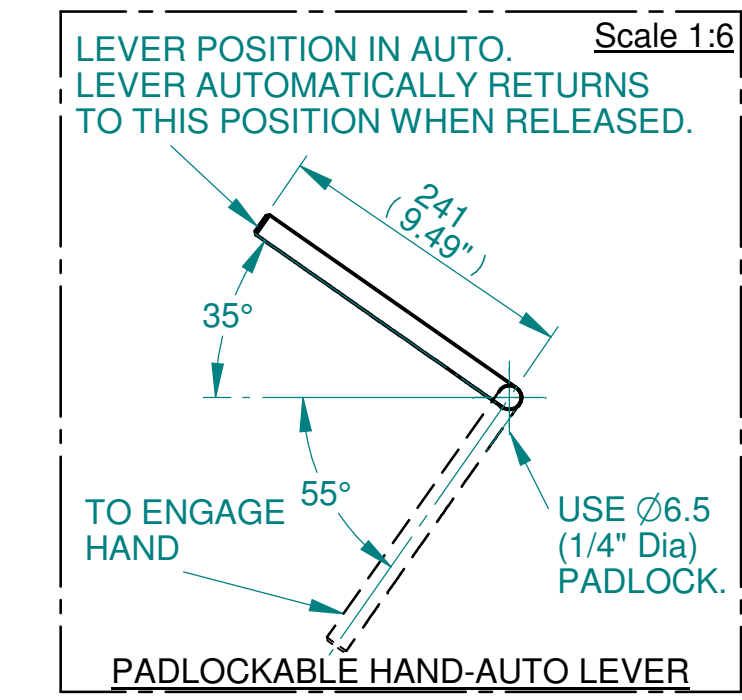
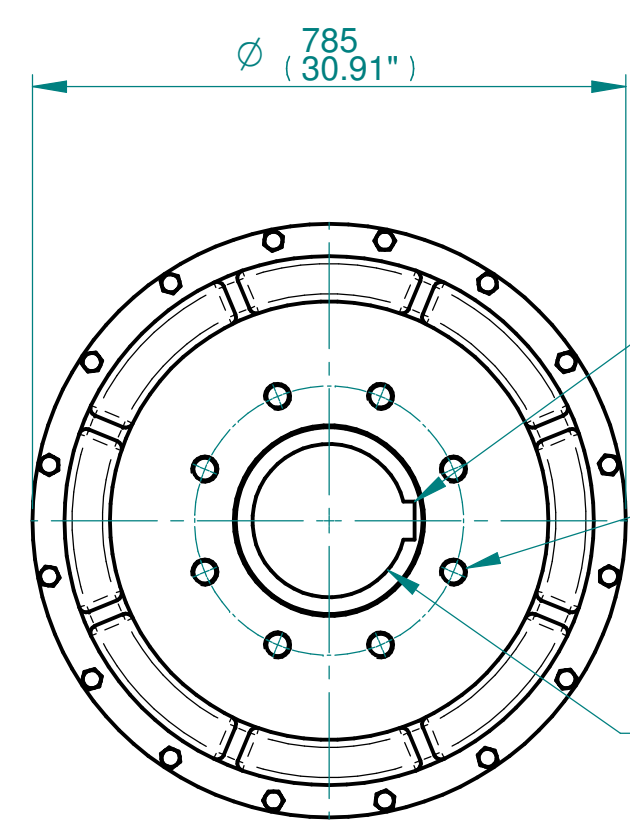
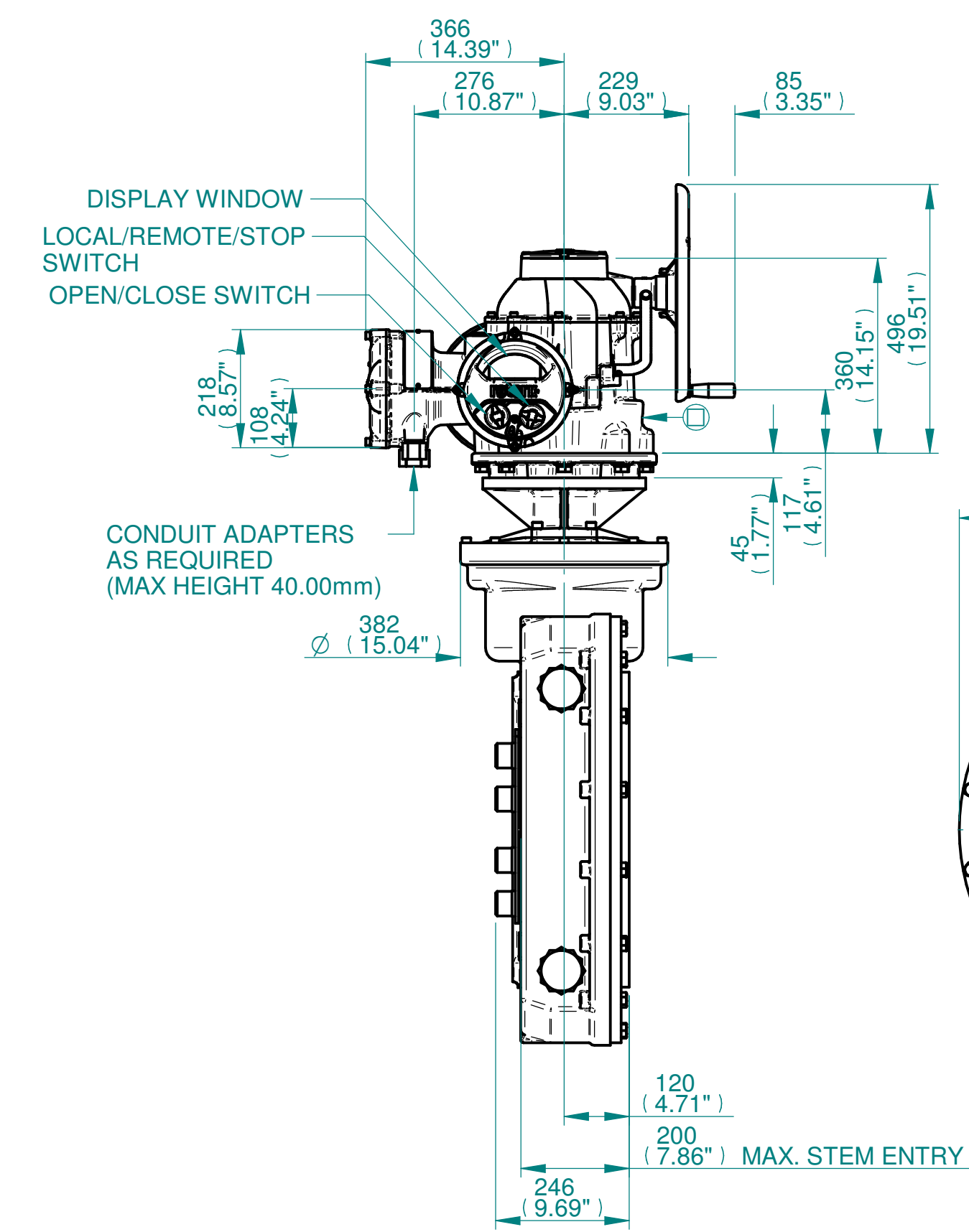
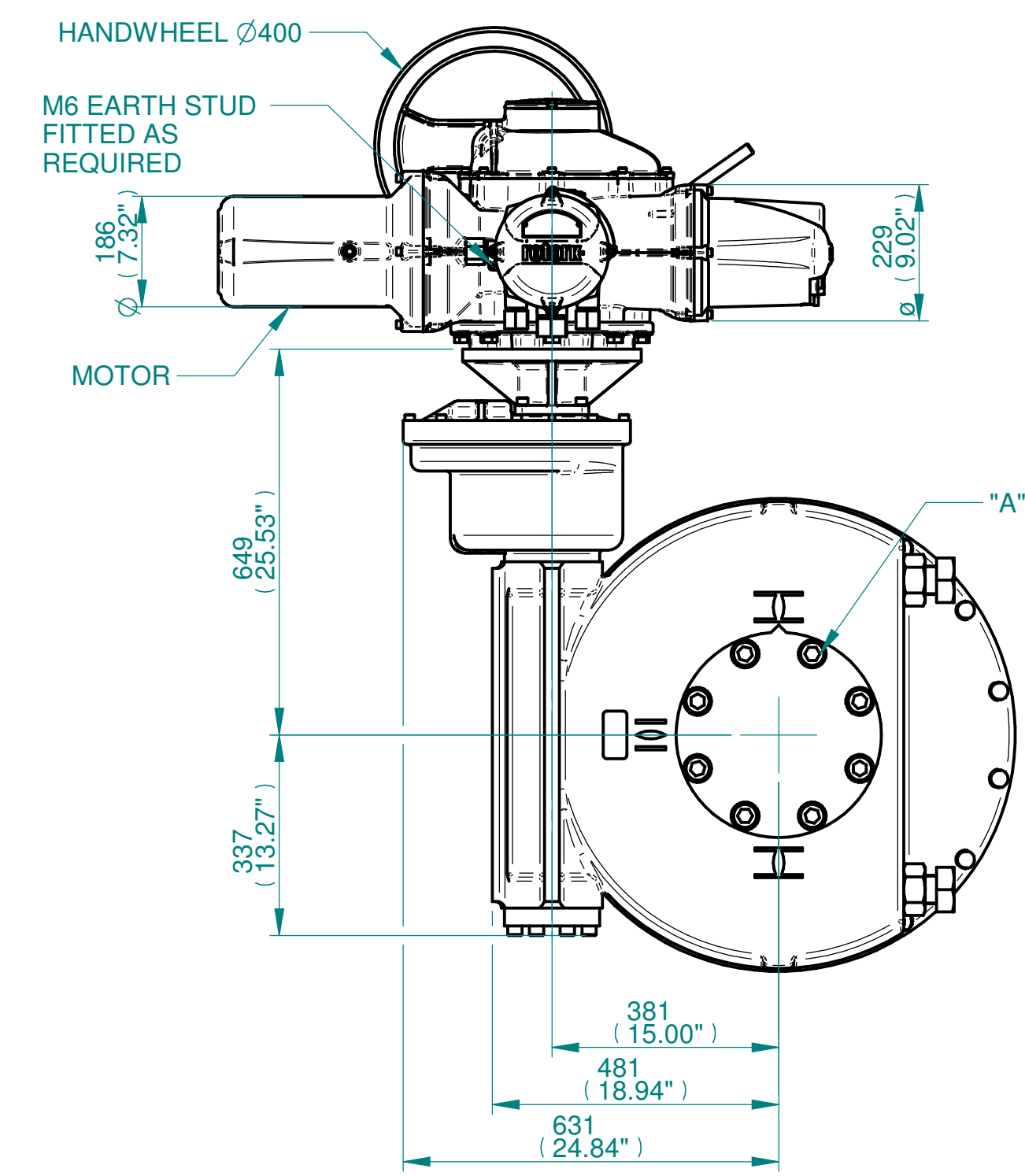


ISOMETRIC VIEW
(SCALE 1:20)

NOTES:
 :DIMENSIONS WITH "*" INDICATE COVER REMOVAL ALLOWANCE
 :NETT WEIGHT = 734kg/1618lbs
 :  = OIL FILLER/DRAIN PLUG
 :THE INTERFACE PROVIDED FOR MOUNTING THE ACTUATOR OR SECOND STAGE GEARBOX ONTO THE VALVE SHOULD CONFORM TO GOOD ENGINEERING PRACTICES, ENSURING ADEQUATELY TOLERANCED LIMITS FOR PARALLELISM, PERPENDICULARITY AND CONCENTRICITY.
 :ROTORK CANNOT BE HELD LIABLE FOR DAMAGE TO OUR EQUIPMENT CAUSED BY EXCESSIVE LOADING FROM COVER TUBES. (SEE ALSO PUB000-124)



	Hole 1	Hole 2	Hole 3	Hole 4
Size	As Required	As Required	As Required	As Required
Plugged	As Required	As Required	As Required	As Required
Gland	As Required	As Required	As Required	As Required



Scale 1:6
 LEVER POSITION IN AUTO. LEVER AUTOMATICALLY RETURNS TO THIS POSITION WHEN RELEASED.
 TO ENGAGE HAND
 USE $\phi 6.5$ (1/4" Dia) PADLOCK.
 PADLOCKABLE HAND-AUTO LEVER
 N.B. KEYWAY POS. CAN BE MOVED IN 45° STEPS BY REMOVING 8 SCREWS MARKED "A" AND ROTATING OUTPUT SLEEVE
 SEE GEARBOX OUTPUT FLANGE OPTIONS TABLE
 SEE MAXIMUM BORE & KEY TABLE

3D Models are available in various formats under the same drawing number

rotork
 www.rotork.com
 Rotork Controls Limited
 Bath, BA1 3JQ, England.
 Telephone 01225-733200

Actuator Size: IQ70/90/95 IW11,115 & 116R/MOW11R		Gearbox output flange options								Maximum Bore & Key					
Title	IQ70/90/95, SIDE HANDWHEEL, IW11R / IW115R / IW116R / MOW11R, F/FA35,40 & 48, Ratios 180 - :3650 Installation Details	Designation	F35	F40	F48	-	FA35	FA40	FA48	-	Key form	ϕ Bore	Key size		
Drawn	TED	Checked	NJC	Date	18-AUG-14	No. Holes	8	8	12	NOT SHOWN	Rectangle (BS4235)	270	63 X 32		
Ref	SALES	Project Ref	QUOTATION	Hole size	M30	M36	M36	-	1" UNC	1-1/4" UNC	1-1/4" UNC	-	Rectangle (ANSI B17.1)	7-5/8"	2 X 1-1/2"
				PCD	356	406	483	-	14"	16"	19"	-	Square (ANSI B17.1)	7-3/8"	1-3/4" SQ

Issue	Description
3	OUTPUT FLANGE CHANGE
Scale: 1:10	
THIRD ANGLE PROJECTION	
A2	Drawing Number Issue No Sheet No
I15SHWIW11RSTD	3 1 of 1

1 2 3 4 5 6 7 8 9 10 11 12