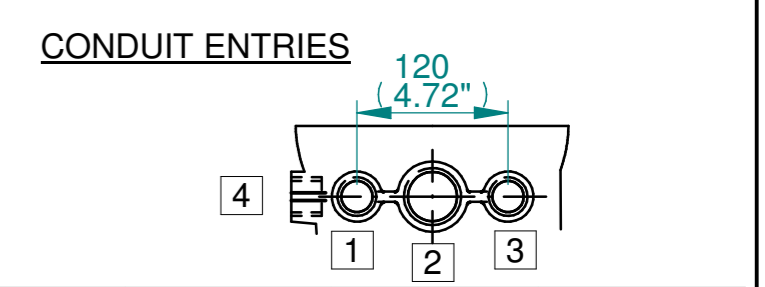
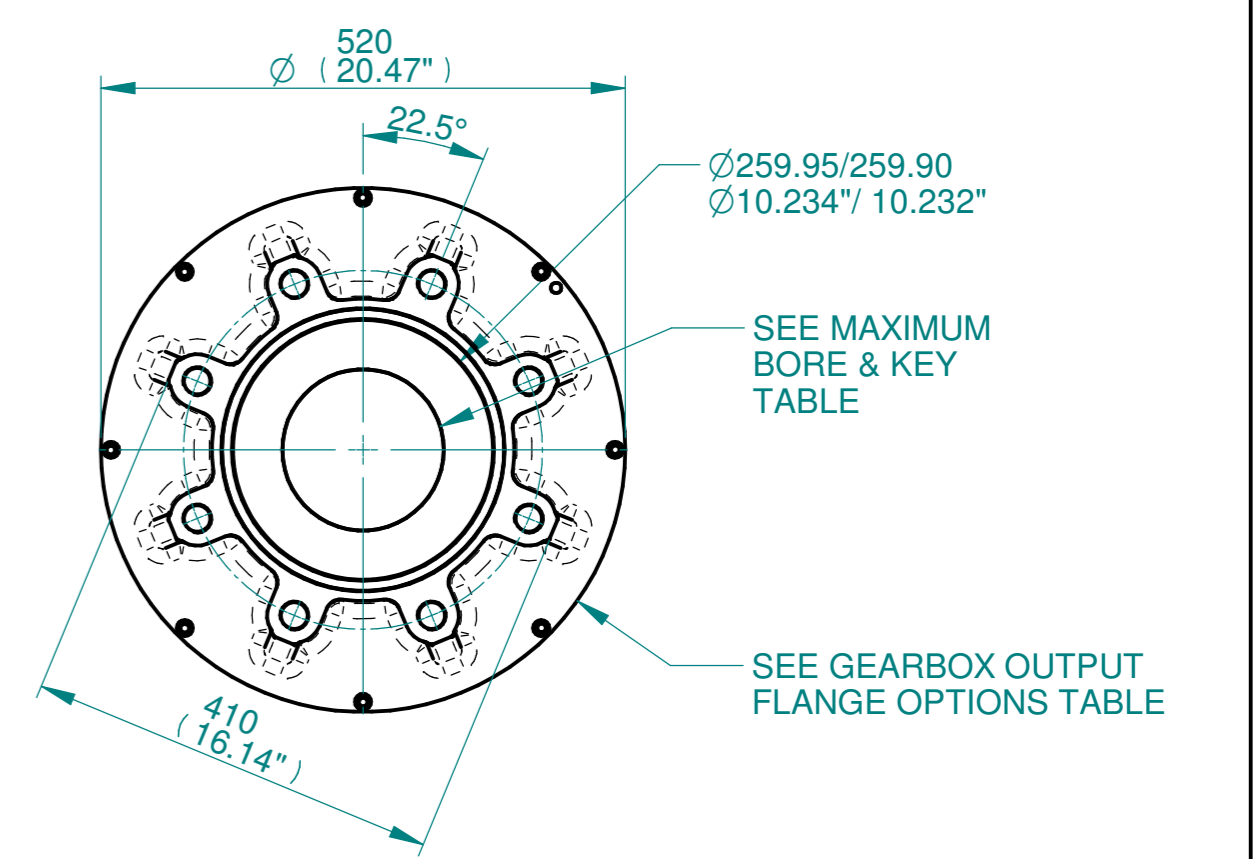
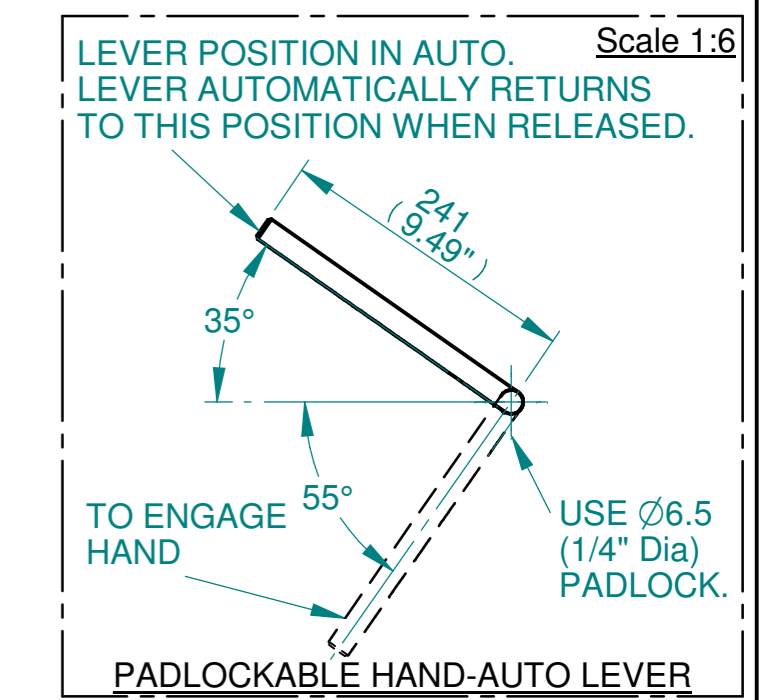
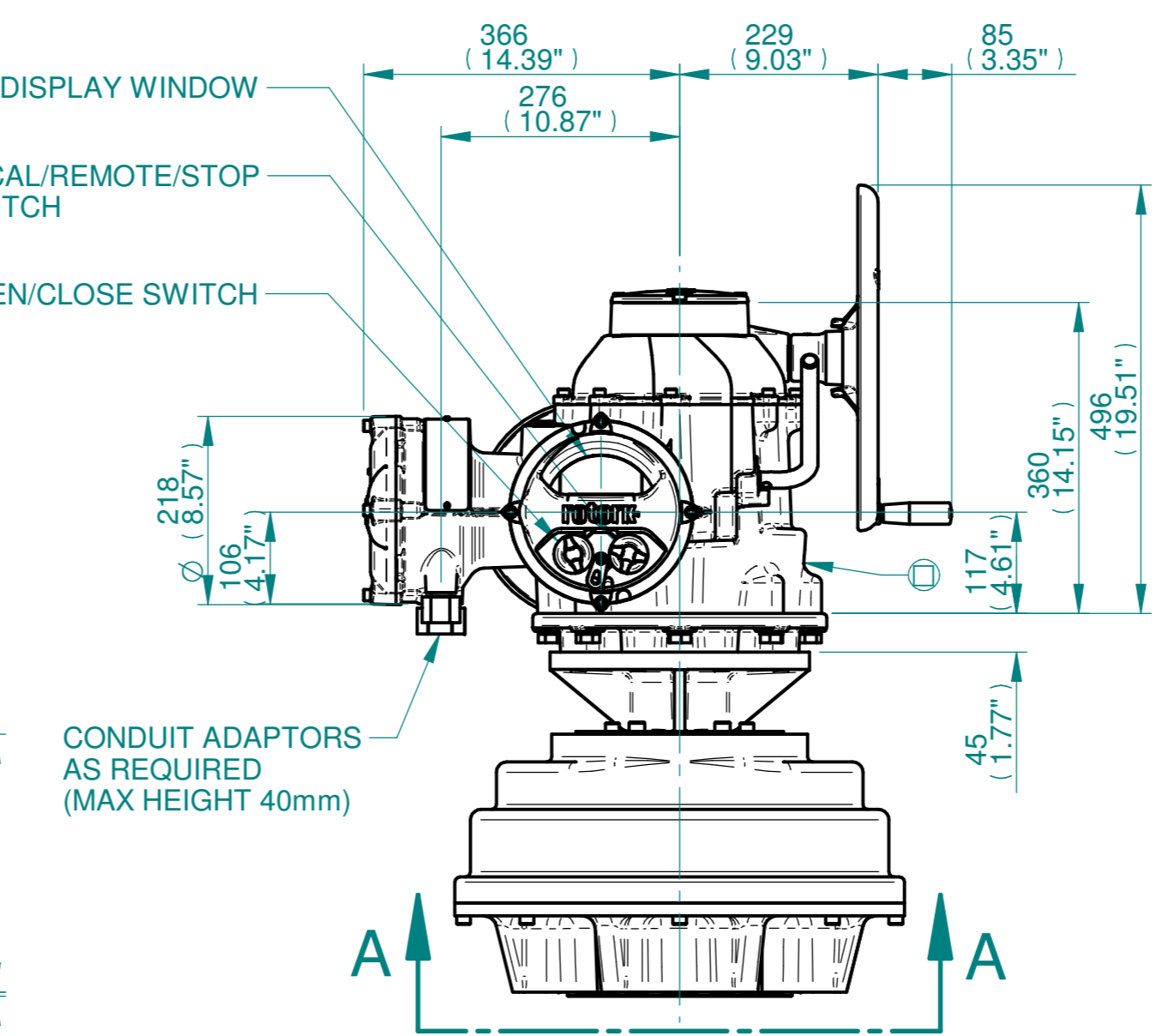
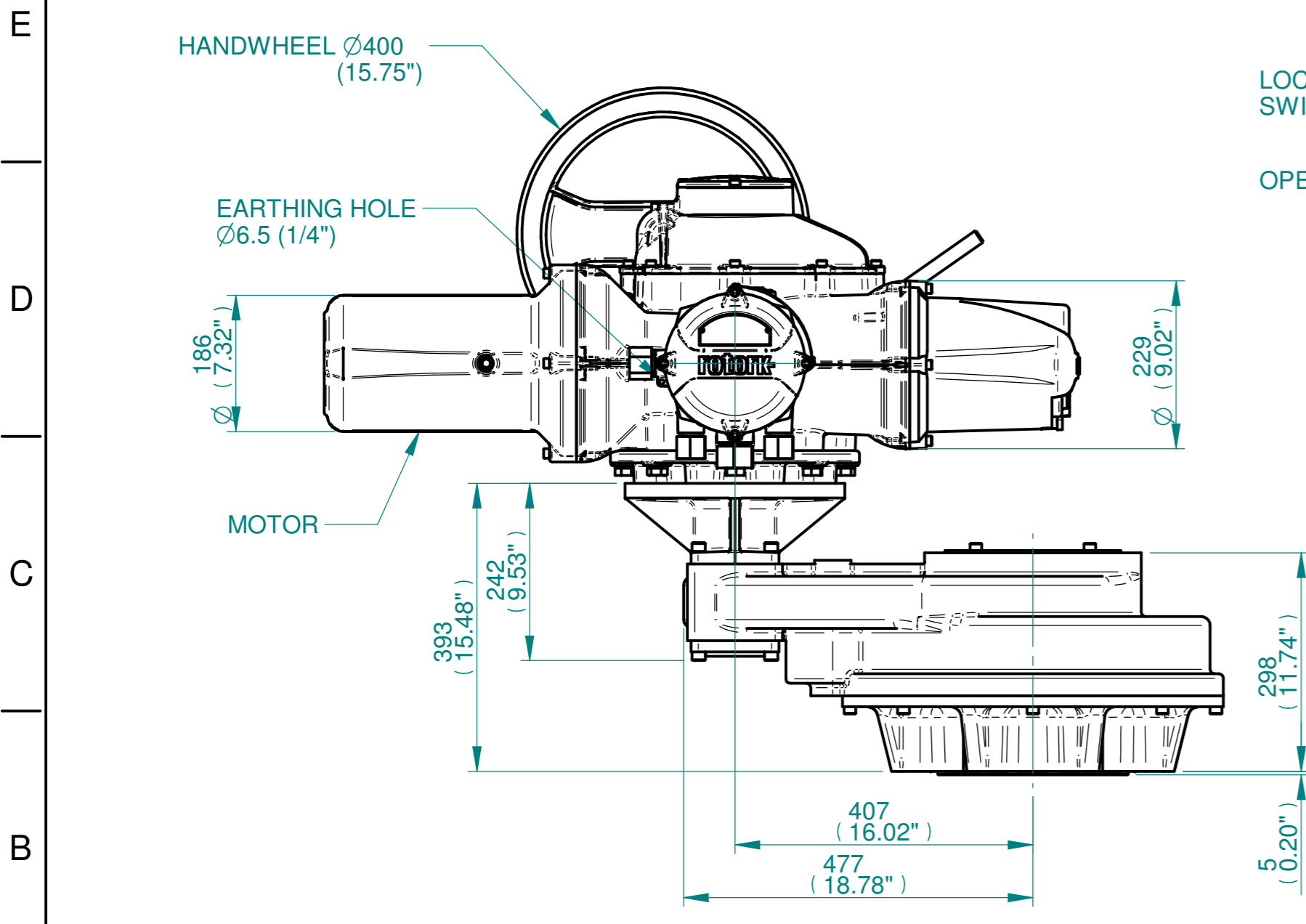


ISOMETRIC VIEW
1:10

NOTES:
 :DIMENSIONS WITH "*" INDICATE COVER REMOVAL ALLOWANCE
 :NETT WEIGHT = 380kg/838lbs
 : = OIL FILLER/DRAIN PLUG
 :THE INTERFACE PROVIDED FOR MOUNTING THE ACTUATOR OR SECOND STAGE GEARBOX ONTO THE VALVE SHOULD CONFORM TO GOOD ENGINEERING PRACTICES, ENSURING ADEQUATELY TOLERANCED LIMITS FOR PARALLELISM, PERPENDICULARITY AND CONCENTRICITY.
 :ROTORK CANNOT BE HELD LIABLE FOR DAMAGE TO OUR EQUIPMENT CAUSED BY EXCESSIVE LOADING FROM COVER TUBES. (SEE ALSO PUB000-124)



	Hole 1	Hole 2	Hole 3	Hole 4
Size	As Required	As Required	As Required	As Required
Plugged	As Required	As Required	As Required	As Required
Gland	As Required	As Required	As Required	As Required



rotork
www.rotork.com
Rotork Controls Limited
Bath, BA1 3JQ, England.
Telephone 01225-733200

Actuator Size: IQ70,90,91,95 IS13		Gearbox output flange options								Maximum Bore & Key				
Title	IQ70,90,91,95 SIDE HANDWHEEL, IS13, F35, FA35, Ratios 8:1,10:1,12:1 & 15:1 Installation Details	Designation	F35	-	-	-	-	FA35	-	-	-	Key form	Ø Bore	Key size
Drawn	DH	No. Holes	8	-	-	-	-	8	-	-	-	Rectangle (BS4235)	121	32 x 18
Checked	JBA	Hole size	M30	-	-	-	-	1" UNC	-	-	-	-	-	-
Date	FEB 19	PCD	356	-	-	-	-	14"	-	-	-	-	-	-
Ref	SALES	Project Ref	QUOTATION	-	-	-	-	-	-	-	-	-	-	-

3D Models are available in various formats under the same drawing number

Issue	Description
1	FIRST ISSUE
Scale: 1:7.5	
THIRD ANGLE PROJECTION	
A2	Drawing Number Issue No Sheet No
I15SHWIS13STD	1 1 of 1