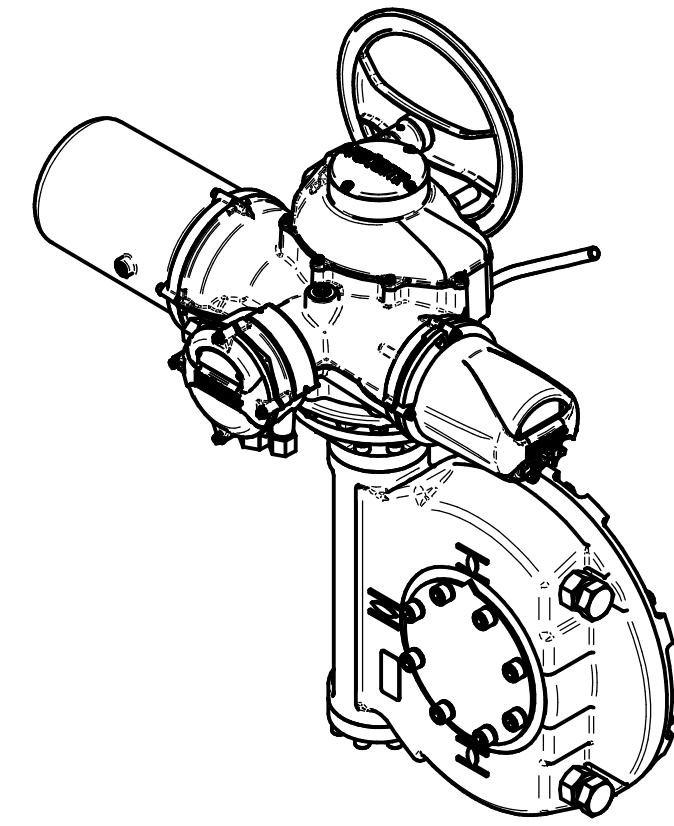
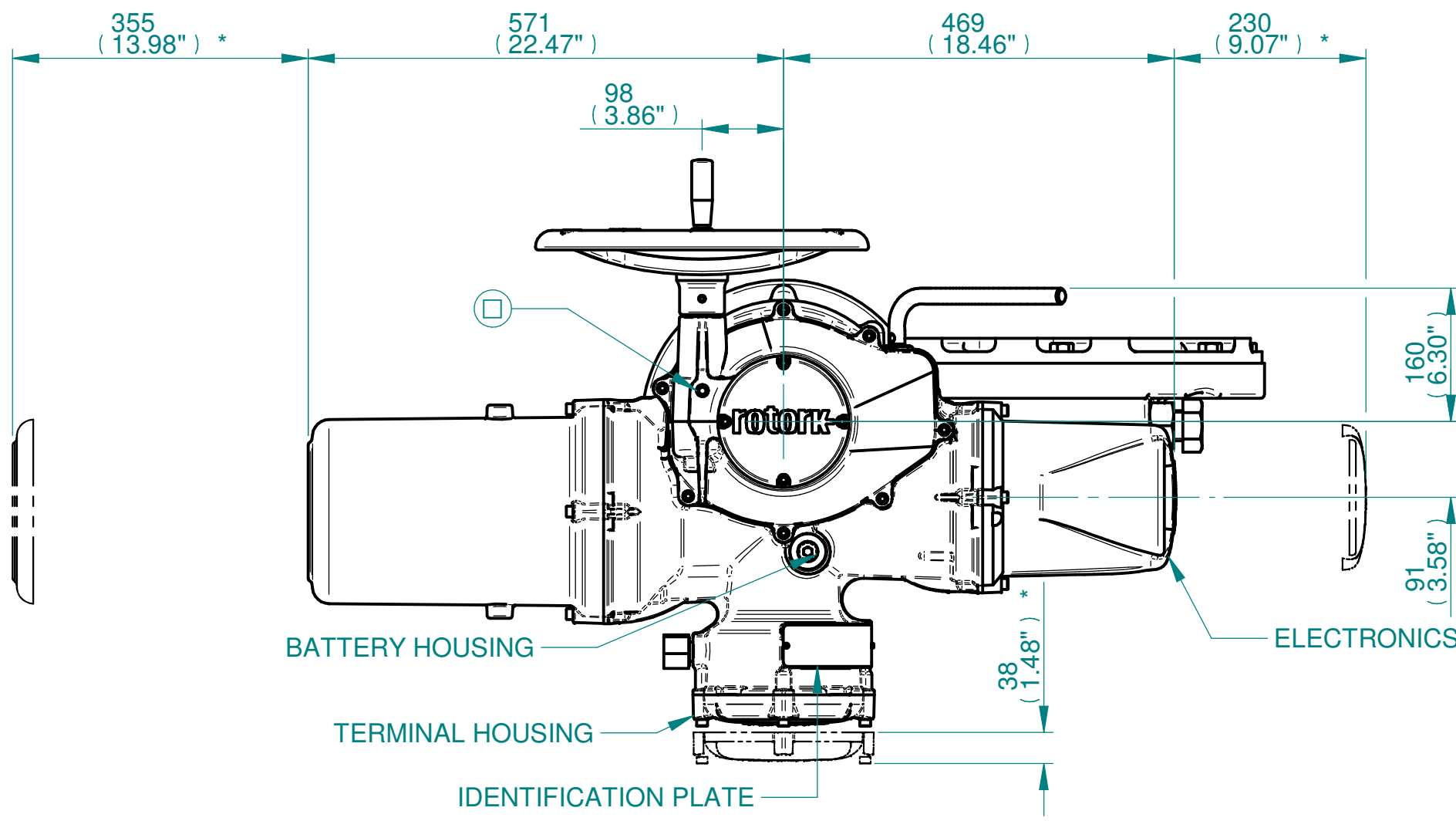
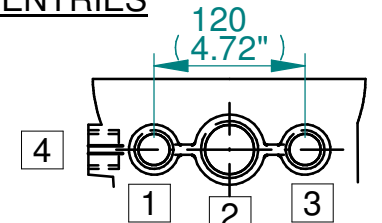


H
G
F
E
D
C
B
A

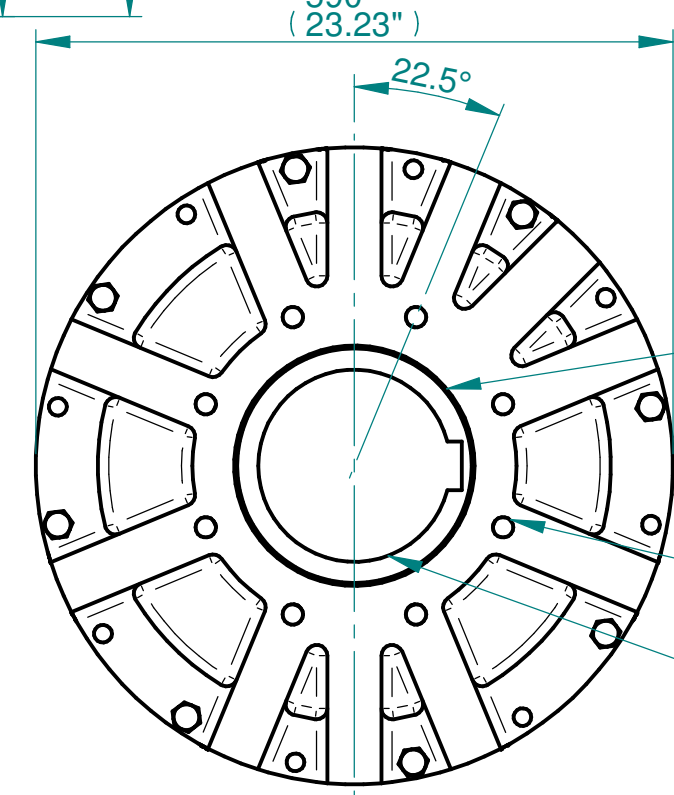
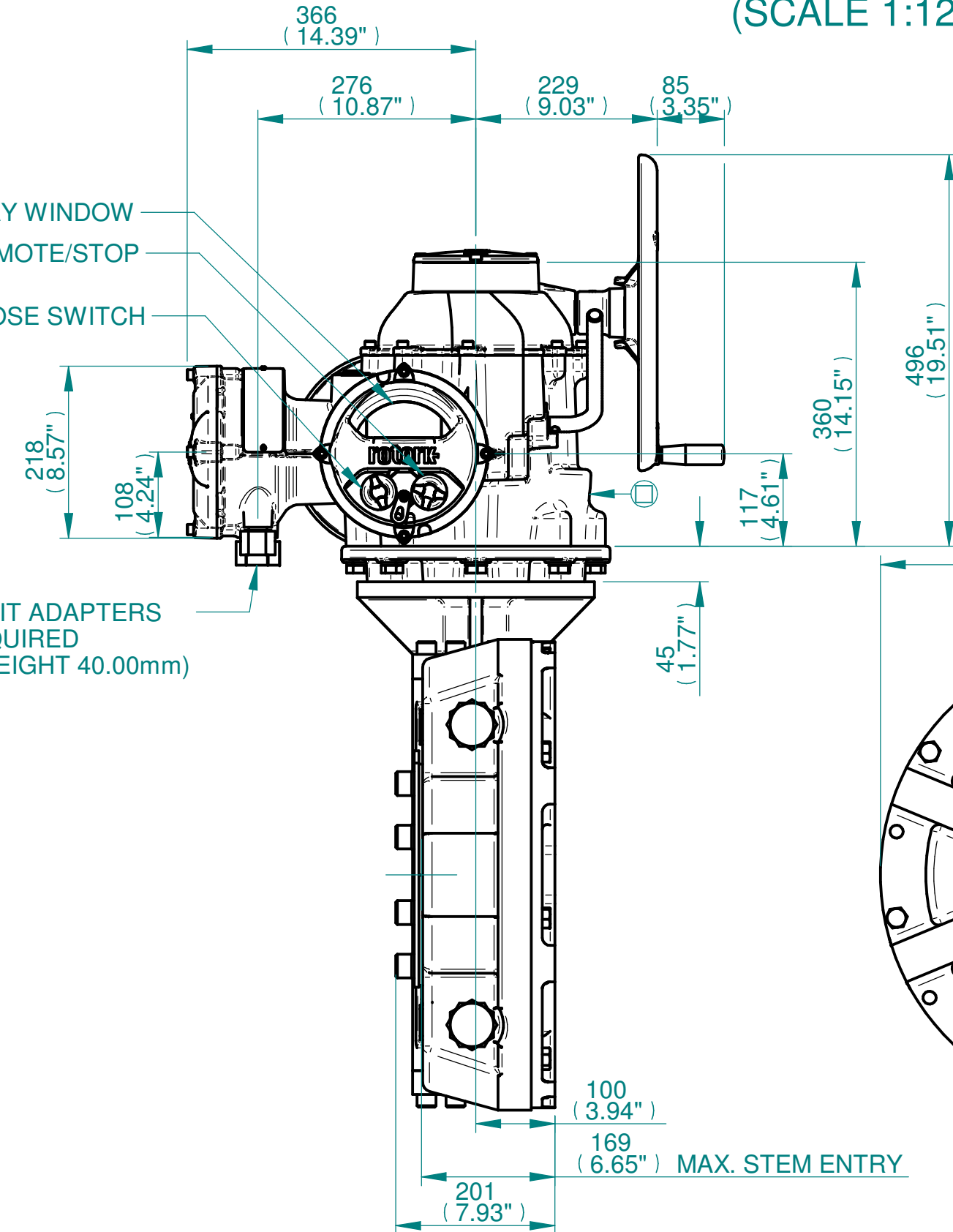
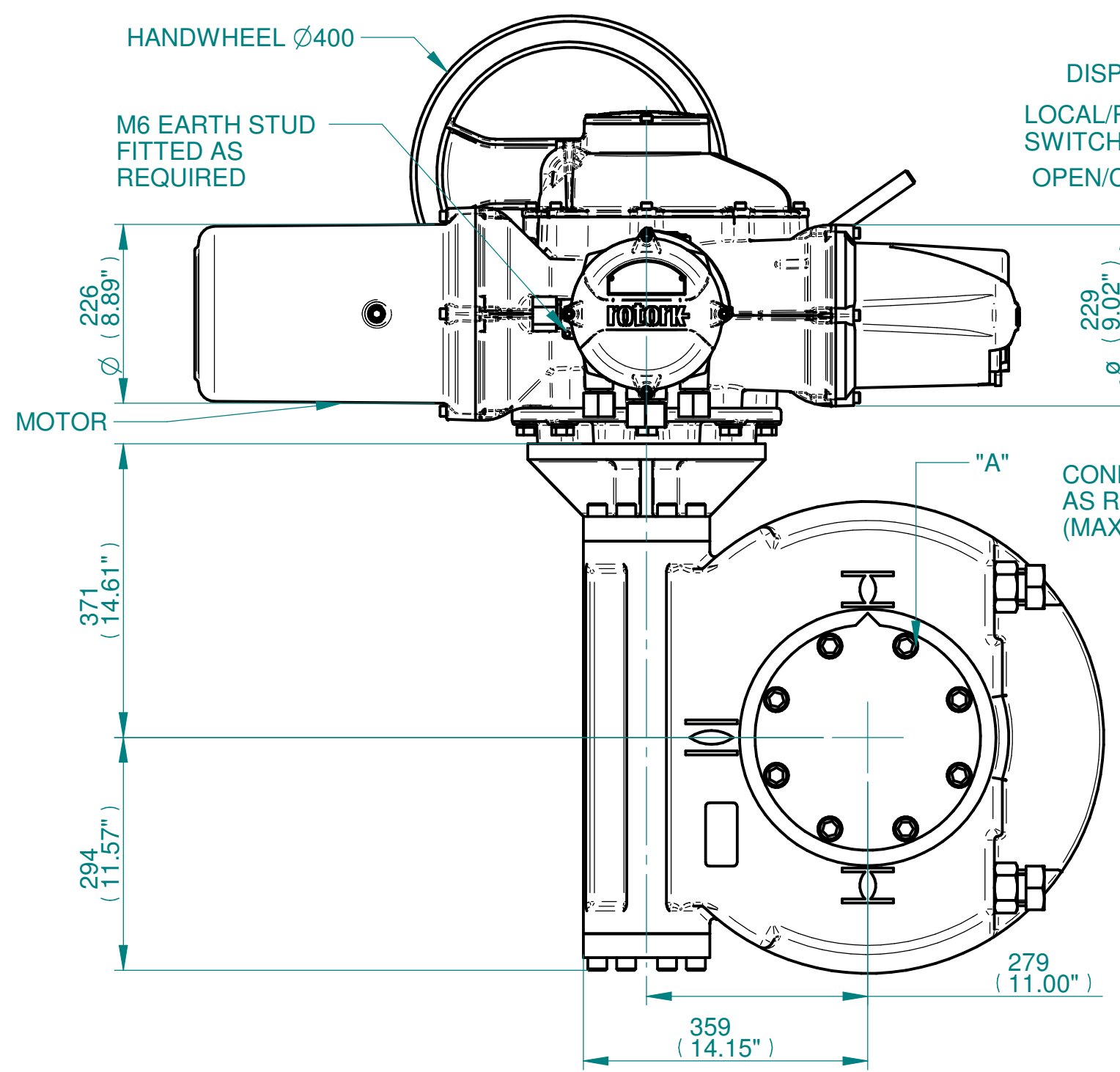
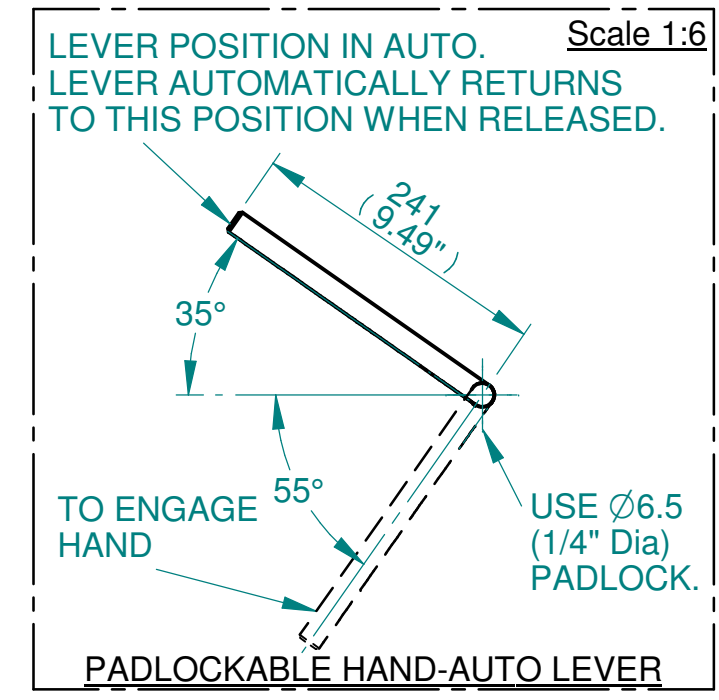


ISOMETRIC VIEW (SCALE 1:12)

CONDUIT ENTRIES



	Hole 1	Hole 2	Hole 3	Hole 4
Size	As Required	As Required	As Required	As Required
Plugged	As Required	As Required	As Required	As Required
Gland	As Required	As Required	As Required	As Required



N.B. KEYWAY POS. CAN BE MOVED IN 45° STEPS BY REMOVING 8 SCREWS MARKED "A" AND ROTATING OUTPUT SLEEVE

SEE GEARBOX OUTPUT FLANGE OPTIONS TABLE

SEE MAXIMUM BORE & KEY TABLE

3D Models are available in various formats under the same drawing number

Actuator Size: IQ91 IW9/MOW9		Gearbox output flange options								Maximum Bore & Key		
Title IQ91, SIDE HANDWHEEL, IW9/MOW9, F30/F35/F40/FA30/FA35/FA40, Ratios 60:1 Installation Details Drawn TED Checked NJC Date 18-AUG-14 Ref SALES Project Ref QUOTATION	Designation	F30	F35	F40	-	FA30	FA35	FA40	-	Key form	Ø Bore	Key size
	No. Holes	8	8	8	-	8	8	8	-	Rectangle (BS4235)	178	45 X 25
	Hole size	M20	M30	M36	-	3/4" UNC	1" UNC	1-1/4" UNC	-	Rectangle (ANSI B17.1)	6-1/2"	1-1/2 X 1"
	PCD	298	356	406	-	11.75"	14"	16"	-	Square (ANSI B17.1)	6-1/2"	1-1/2" SQ

Issue	Description
2	4 ENTRY CHANGE

Scale: 1:7

THIRD ANGLE PROJECTION

Drawing Number	Issue No	Sheet No
I15-91-SHWIW9STD	2	1 of 1

rotork
www.rotork.com
Rotork Controls Limited
Bath, BA1 3JQ, England.
Telephone 01225-733200

1 2 3 4 5 6 7 8 9 10 11 12