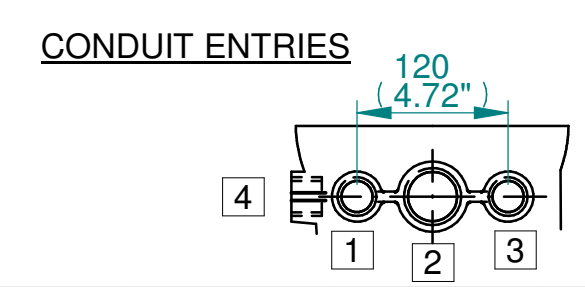
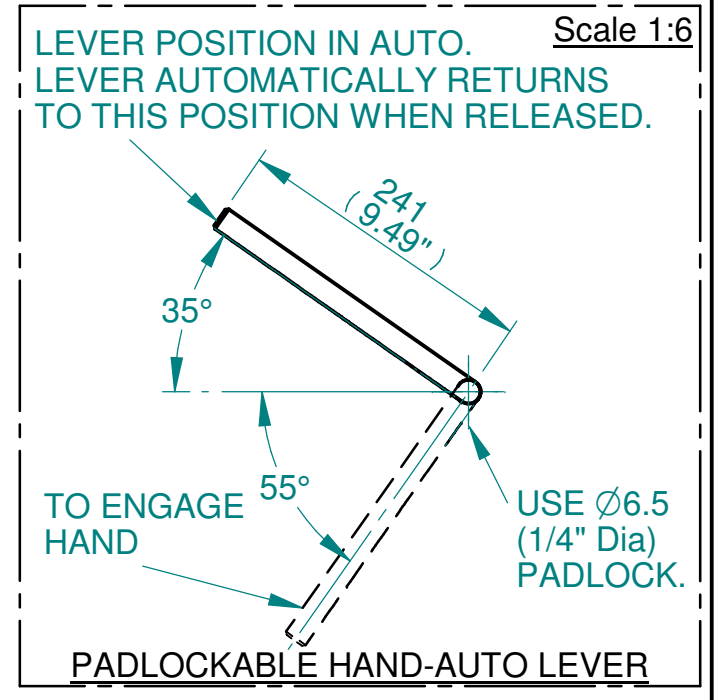
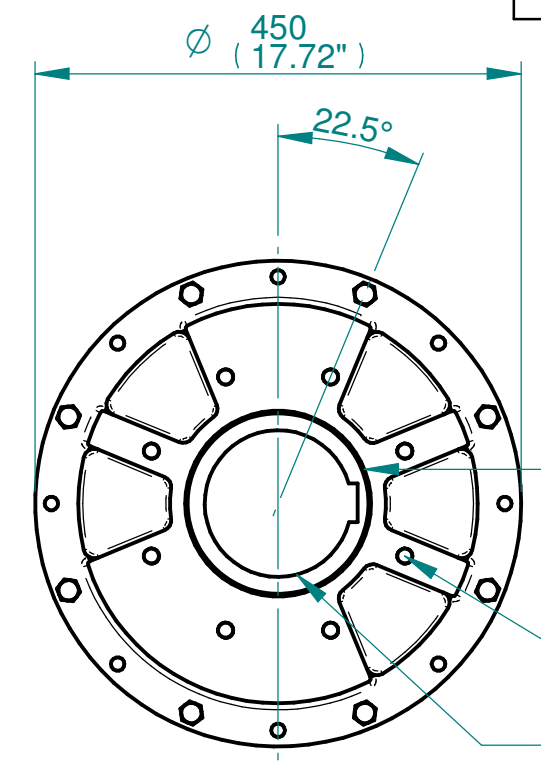
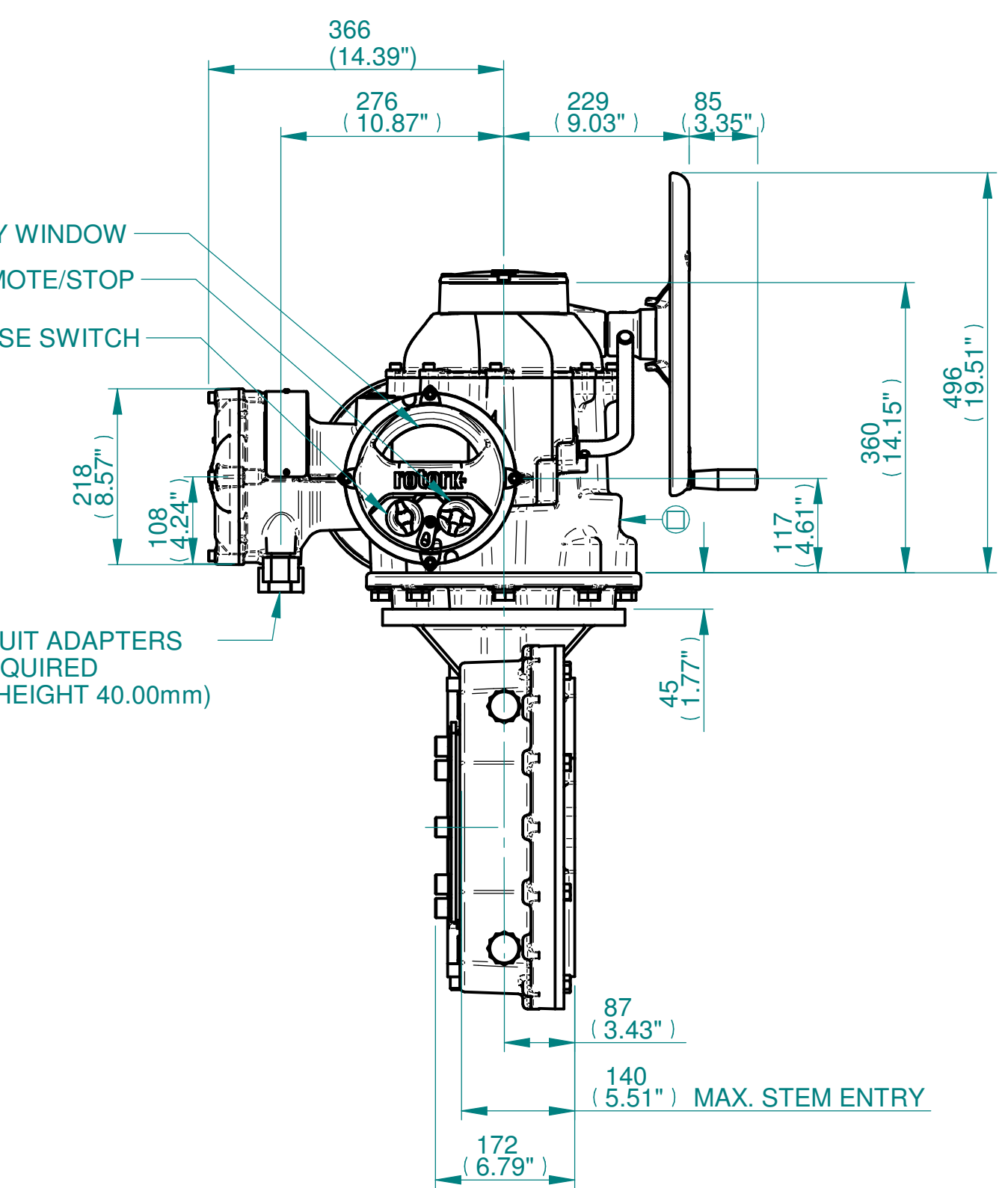
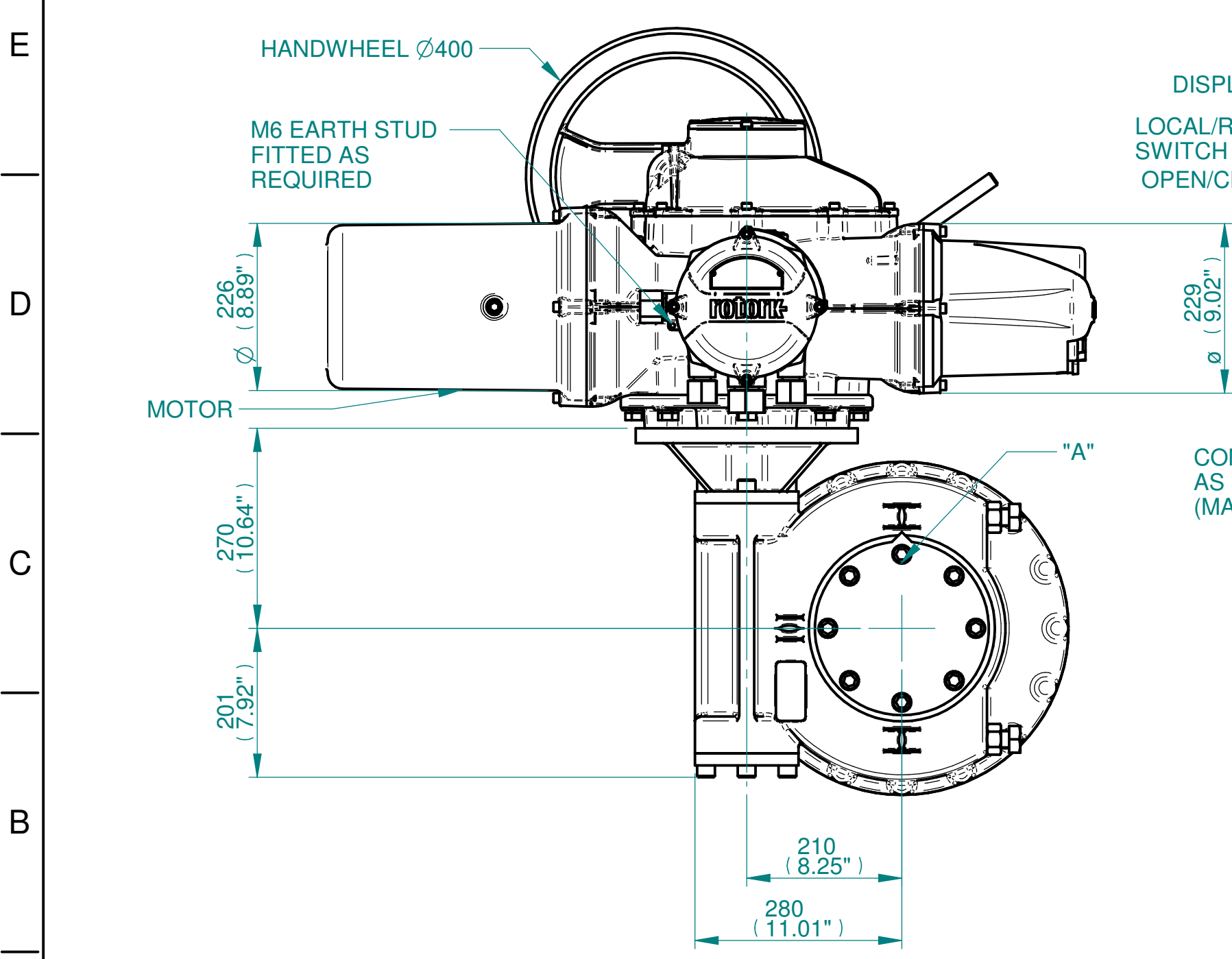


ISOMETRIC VIEW (SCALE 1:12)

NOTES:
 : DIMENSIONS WITH "*" INDICATE COVER REMOVAL ALLOWANCE
 : NETT WEIGHT = 270kg/595lbs
 : = OIL FILLER/DRAIN PLUG
 : THE INTERFACE PROVIDED FOR MOUNTING THE ACTUATOR OR SECOND STAGE GEARBOX ONTO THE VALVE SHOULD CONFORM TO GOOD ENGINEERING PRACTICES, ENSURING ADEQUATELY TOLERANCED LIMITS FOR PARALLELISM, PERPENDICULARITY AND CONCENTRICITY.
 : ROTORK CANNOT BE HELD LIABLE FOR DAMAGE TO OUR EQUIPMENT CAUSED BY EXCESSIVE LOADING FROM COVER TUBES. (SEE ALSO PUB000-124)



| | Hole 1 | Hole 2 | Hole 3 | Hole 4 |
|---------|-------------|-------------|-------------|-------------|
| Size | As Required | As Required | As Required | As Required |
| Plugged | As Required | As Required | As Required | As Required |
| Gland | As Required | As Required | As Required | As Required |



N.B. KEYWAY POS. CAN BE MOVED IN 45° STEPS BY REMOVING 8 SCREWS MARKED "A" AND ROTATING OUTPUT SLEEVE
 SEE GEARBOX OUTPUT FLANGE OPTIONS TABLE
 SEE MAXIMUM BORE & KEY TABLE

3D Models are available in various formats under the same drawing number

| Actuator Size: IQ91 IW72/MOW72 | | Gearbox output flange options | | | | | | | | Maximum Bore & Key | | | |
|---|---|-------------------------------|-----|-----|---|---|----------|----------|---|--------------------|------------------------|--------|--------------|
| rotork www.rotork.com Rotork Controls Limited Bath, BA1 3JQ, England. Telephone 01225-733200 | Title IQ91, SIDE HANDWHEEL, IW72/MOW72, F25/F30/FA25/FA30, Ratios 60:1 Installation Details | Designation | F25 | F30 | - | - | FA25 | FA30 | - | - | Key form | Ø Bore | Key size |
| | Drawn TED Checked NJC Date 18-AUG-14 | No. Holes | 8 | 8 | - | - | 8 | 8 | - | - | Rectangle (BS4235) | 136 | 36 X 20 |
| | Ref SALES Project Ref QUOTATION | Hole size | M16 | M20 | - | - | 5/8" UNC | 3/4" UNC | - | - | Rectangle (ANSI B17.1) | 5-1/4" | 1-1/4 X 7/8" |
| | | PCD | 254 | 298 | - | - | 10" | 11-3/4" | - | - | Square (ANSI B17.1) | 4-7/8" | 1-1/4" SQ |

| Issue | Description |
|-------|----------------|
| 2 | 4 ENTRY CHANGE |

Scale: 1:7 THIRD ANGLE PROJECTION

| Drawing Number | Issue No | Sheet No |
|-------------------|----------|----------|
| I15-91-SHWIW72STD | 2 | 1 of 1 |