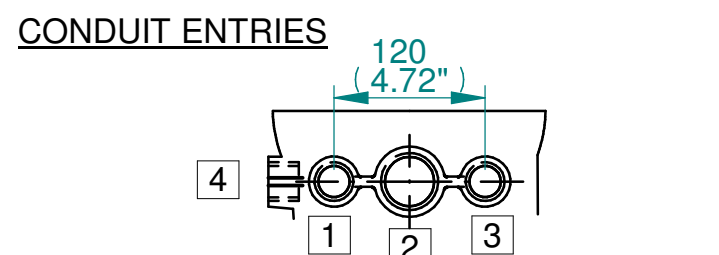
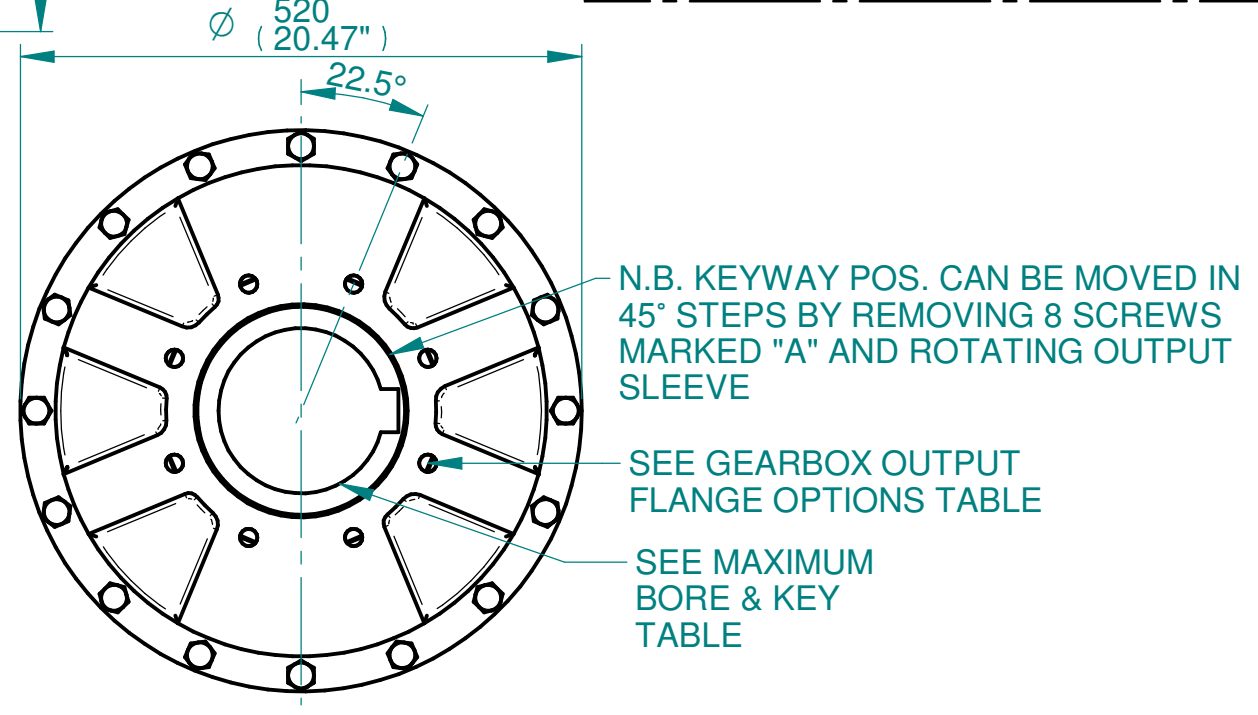
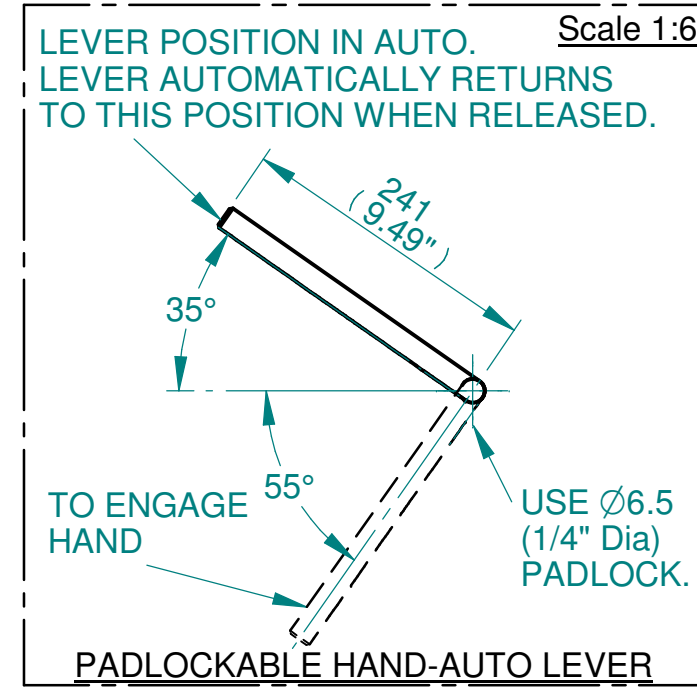
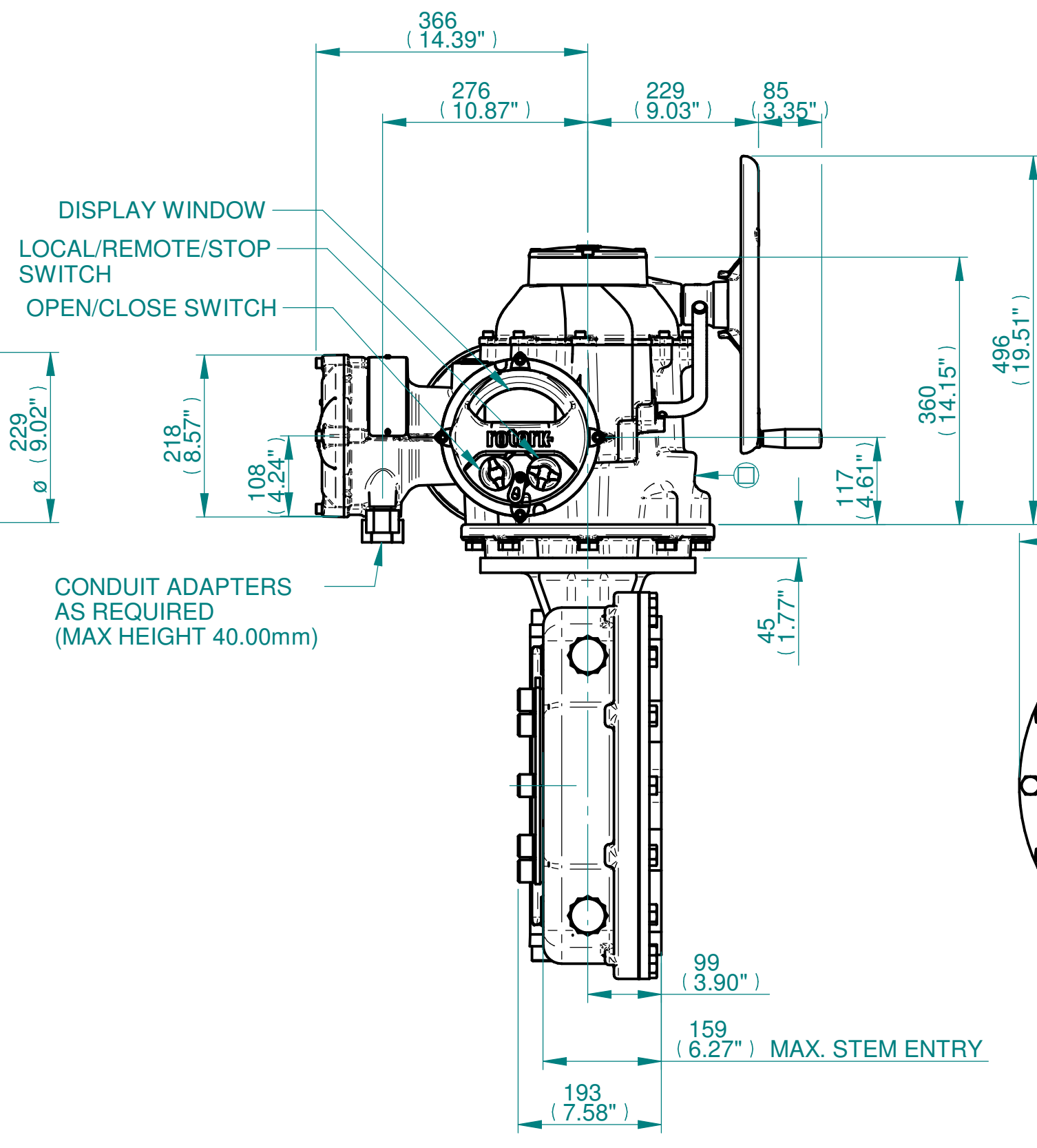
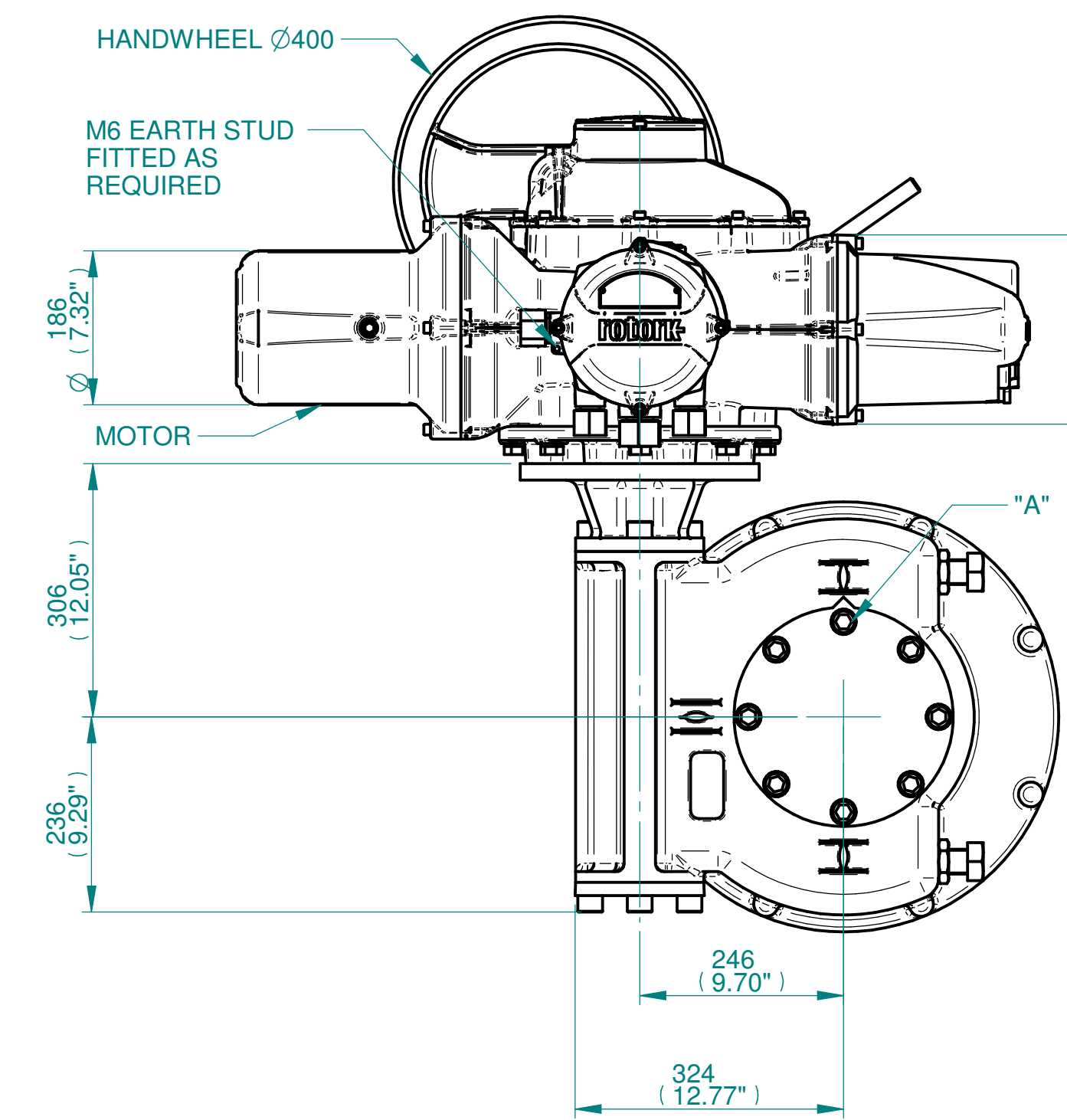


**NOTES:**  
 : DIMENSIONS WITH "\*" INDICATE COVER REMOVAL ALLOWANCE  
 : NETT WEIGHT = 340kg/750lbs  
 : = OIL FILLER/DRAIN PLUG  
 : THE INTERFACE PROVIDED FOR MOUNTING THE ACTUATOR OR SECOND STAGE GEARBOX ONTO THE VALVE SHOULD CONFORM TO GOOD ENGINEERING PRACTICES, ENSURING ADEQUATELY TOLERANCED LIMITS FOR PARALLELISM, PERPENDICULARITY AND CONCENTRICITY.  
 : ROTORK CANNOT BE HELD LIABLE FOR DAMAGE TO OUR EQUIPMENT CAUSED BY EXCESSIVE LOADING FROM COVER TUBES. (SEE ALSO PUB000-124)



	Hole 1	Hole 2	Hole 3	Hole 4
Size	As Required	As Required	As Required	As Required
Plugged	As Required	As Required	As Required	As Required
Gland	As Required	As Required	As Required	As Required



**rotork**  
 www.rotork.com  
 Rotork Controls Limited  
 Bath, BA1 3JQ, England.  
 Telephone 01225-733200

Actuator Size: IQ40 IW82/MOW82		Gearbox output flange options								Maximum Bore & Key						
Title	IQ40, SIDE HANDWHEEL, IW82/MOW82, F25/F30/F35/F40/FA25/FA30/FA35/FA40, Ratios 60:1 Installation Details	Designation	F25	F30	F35	F40	FA25	FA30	FA35	FA40	Key form	Ø Bore	Key size			
Drawn	TED	Checked	NJC	Date	18-AUG-14	No. Holes	8	8	8	8	8	8	8	Rectangle (BS4235)	157	40 X 22
Hole size	M16	M20	M30	M36	5/8" UNC	3/4" UNC	1" UNC	1-1/4" UNC	Rectangle (ANSI B17.1)	6"	1-1/2 X 1"					
PCD	254	298	356	406	10"	11-3/4"	14"	16"	Square (ANSI B17.1)	5-5/8"	1-1/2" SQ					

3D Models are available in various formats under the same drawing number

Issue	Description
2	4 ENTRY CHANGE

Scale: 1:7 THIRD ANGLE PROJECTION

Drawing Number	Issue No	Sheet No
I14SHWIW82STD	2	1 of 1