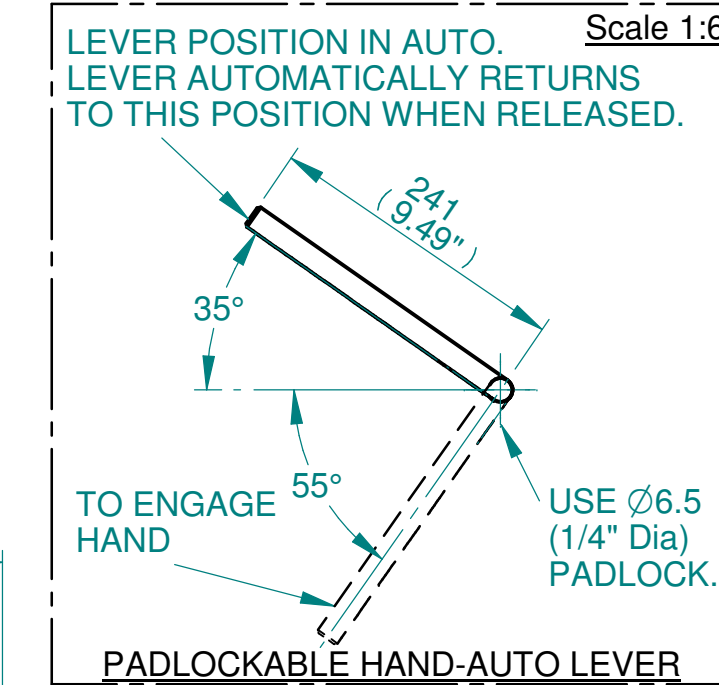
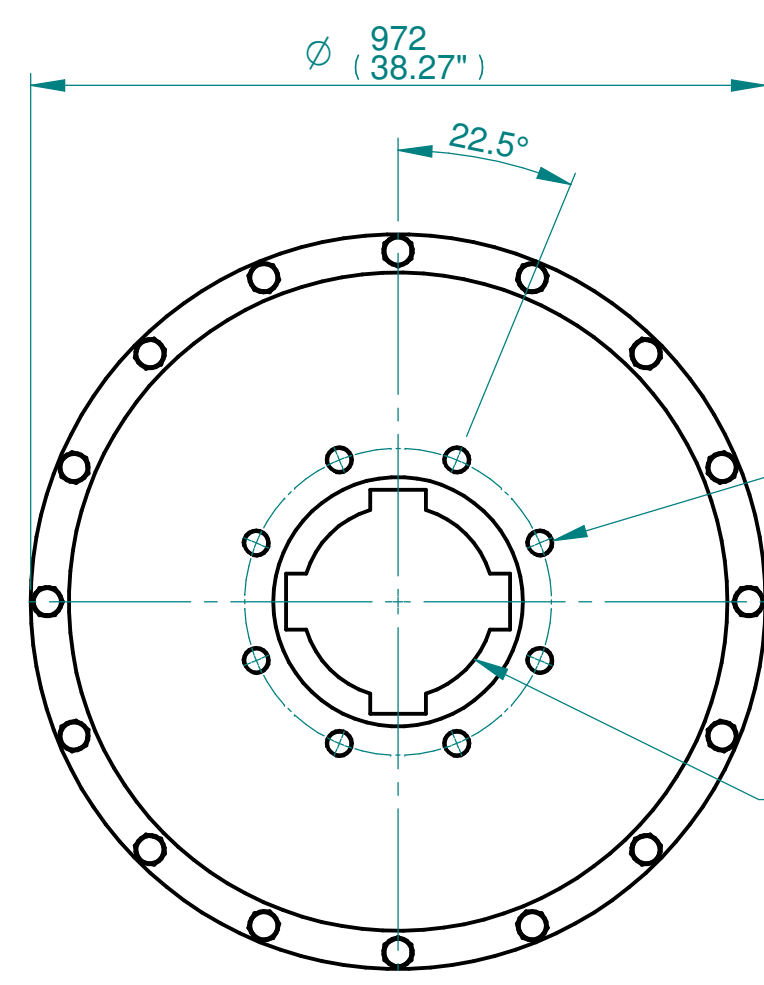
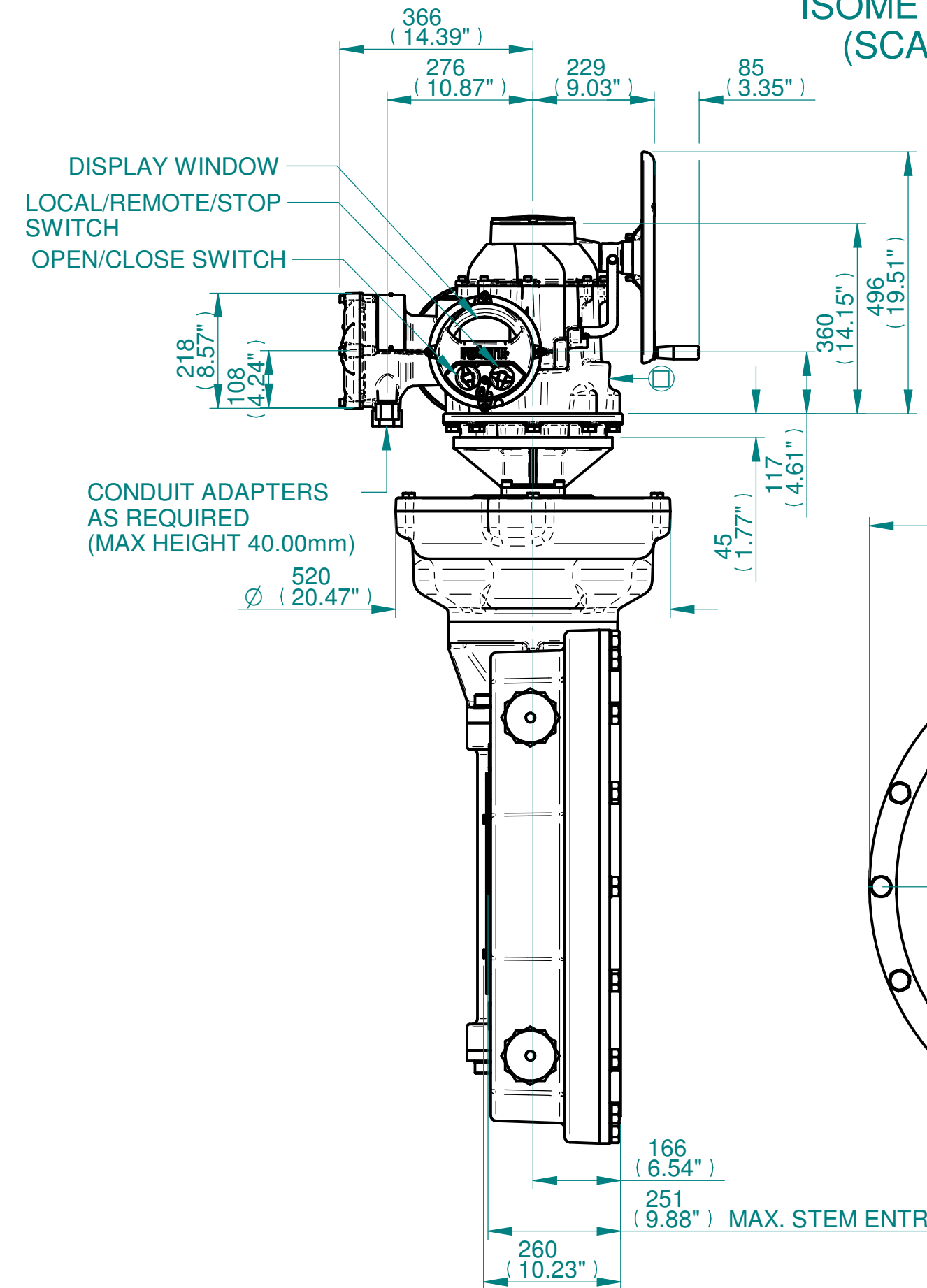
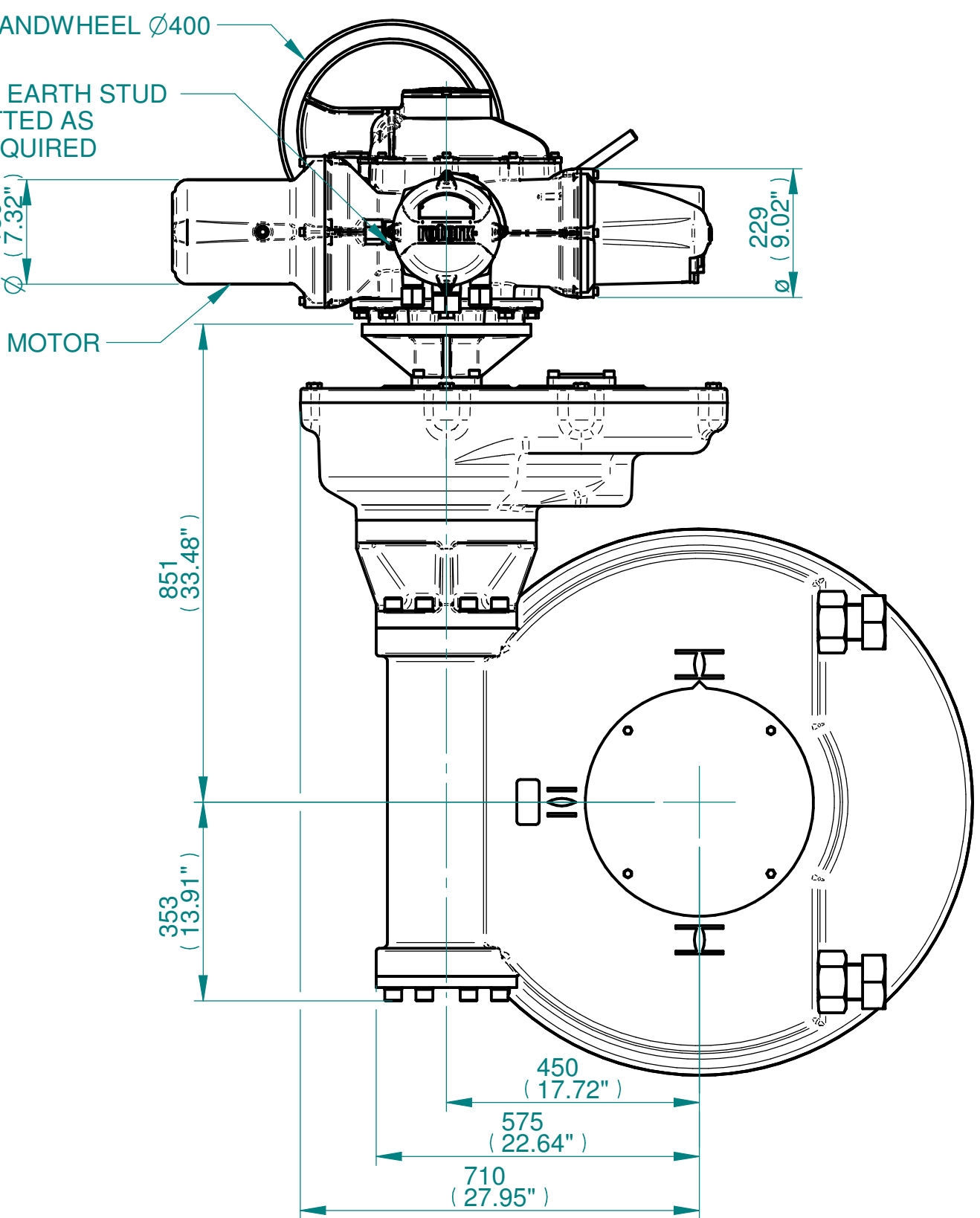
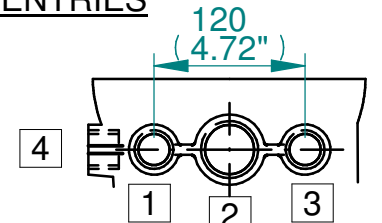


ISOMETRIC VIEW
(SCALE 1:20)



CONDUIT ENTRIES



	Hole 1	Hole 2	Hole 3	Hole 4
Size	As Required	As Required	As Required	As Required
Plugged	As Required	As Required	As Required	As Required
Gland	As Required	As Required	As Required	As Required

Scale 1:6

SEE GEARBOX OUTPUT FLANGE OPTIONS TABLE

SEE MAXIMUM BORE & KEY TABLE

3D Models are available in various formats under the same drawing number

Issue	Description
3	OUTPUT FLANGE CHANGE

Scale: 1:10

Drawing Number	Issue No	Sheet No
I4SHWIW13IR4STD	3	1 of 1



Rotork Controls Limited
Bath, BA1 3JQ, England.
Telephone 01225-733200

Actuator Size: IQ40 IW13IR4		Gearbox output flange options								Maximum Bore & Key		
Title	Designation	F35	F40	F48	F60	FA35	FA40	FA48	FA60	Key form	Ø Bore	Key size
F/FA35,40,48 & 60, Ratios 240 - 1120:1 Installation Details	No. Holes	8	8	12 NOT SHOWN	20 NOT SHOWN	8	8	12 NOT SHOWN	20 NOT SHOWN	Rectangle (BS4235)	272	70 X 36
Drawn TED Checked NJC Date 18-AUG-14	Hole size	M30	M36	M36	M36	1" UNC	1-1/4" UNC	1-1/4" UNC	1-1/4" UNC	Rectangle (ANSI B17.1)	10-1/4"	2-1/2 X 1-3/4"
Ref SALES Project Ref QUOTATION	PCD	356	406	483	603	14"	16"	19"	23.75"	Square (ANSI B17.1)	9-1/2"	2-1/2" SQ