
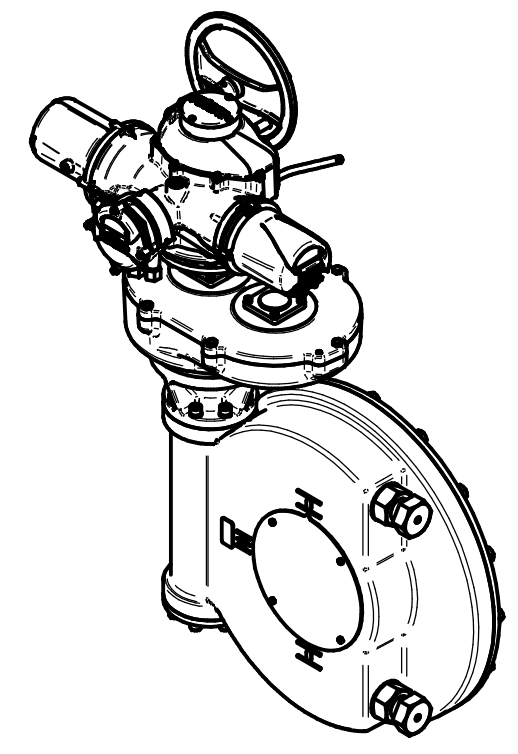
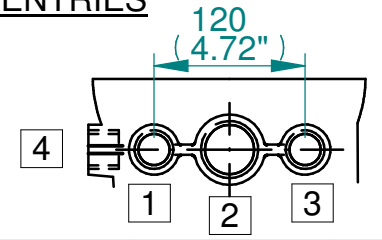


NOTES:
 :DIMENSIONS WITH "*" INDICATE COVER REMOVAL ALLOWANCE
 :NETT WEIGHT = 1310kg/2888lbs
 :  = OIL FILLER/DRAIN PLUG
 :THE INTERFACE PROVIDED FOR MOUNTING THE ACTUATOR OR SECOND STAGE GEARBOX ONTO THE VALVE SHOULD CONFORM TO GOOD ENGINEERING PRACTICES, ENSURING ADEQUATELY TOLERANCED LIMITS FOR PARALLELISM, PERPENDICULARITY AND CONCENTRICITY.
 :ROTORK CANNOT BE HELD LIABLE FOR DAMAGE TO OUR EQUIPMENT CAUSED BY EXCESSIVE LOADING FROM COVER TUBES. (SEE ALSO PUB000-124)



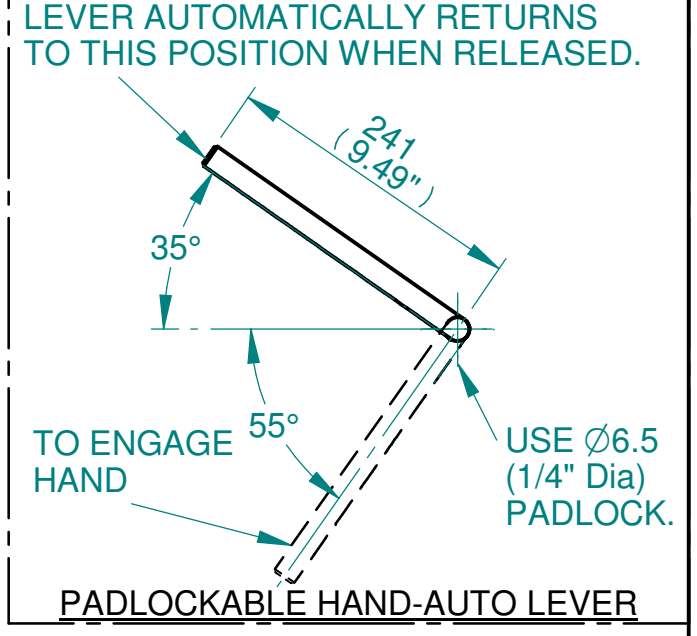
ISOMETRIC VIEW
(SCALE 1:20)

CONDUIT ENTRIES



	Hole 1	Hole 2	Hole 3	Hole 4
Size	As Required	As Required	As Required	As Required
Plugged	As Required	As Required	As Required	As Required
Gland	As Required	As Required	As Required	As Required

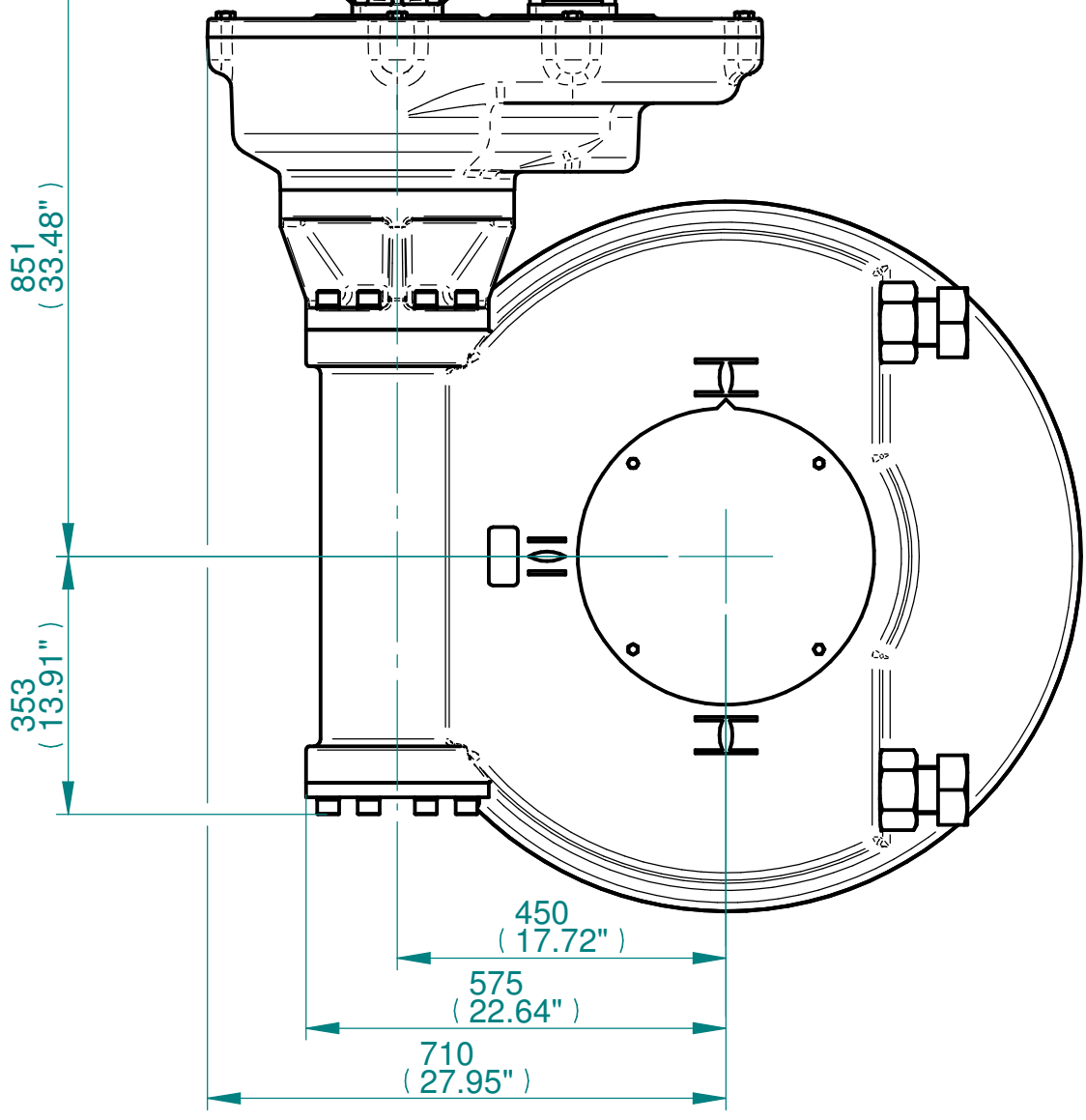
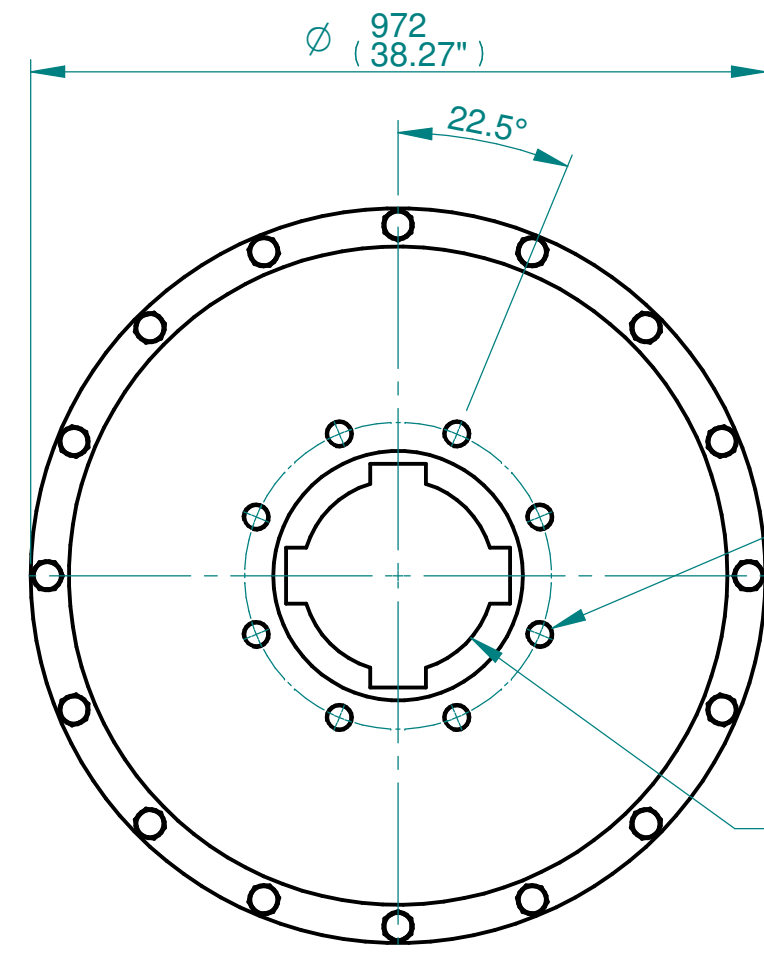
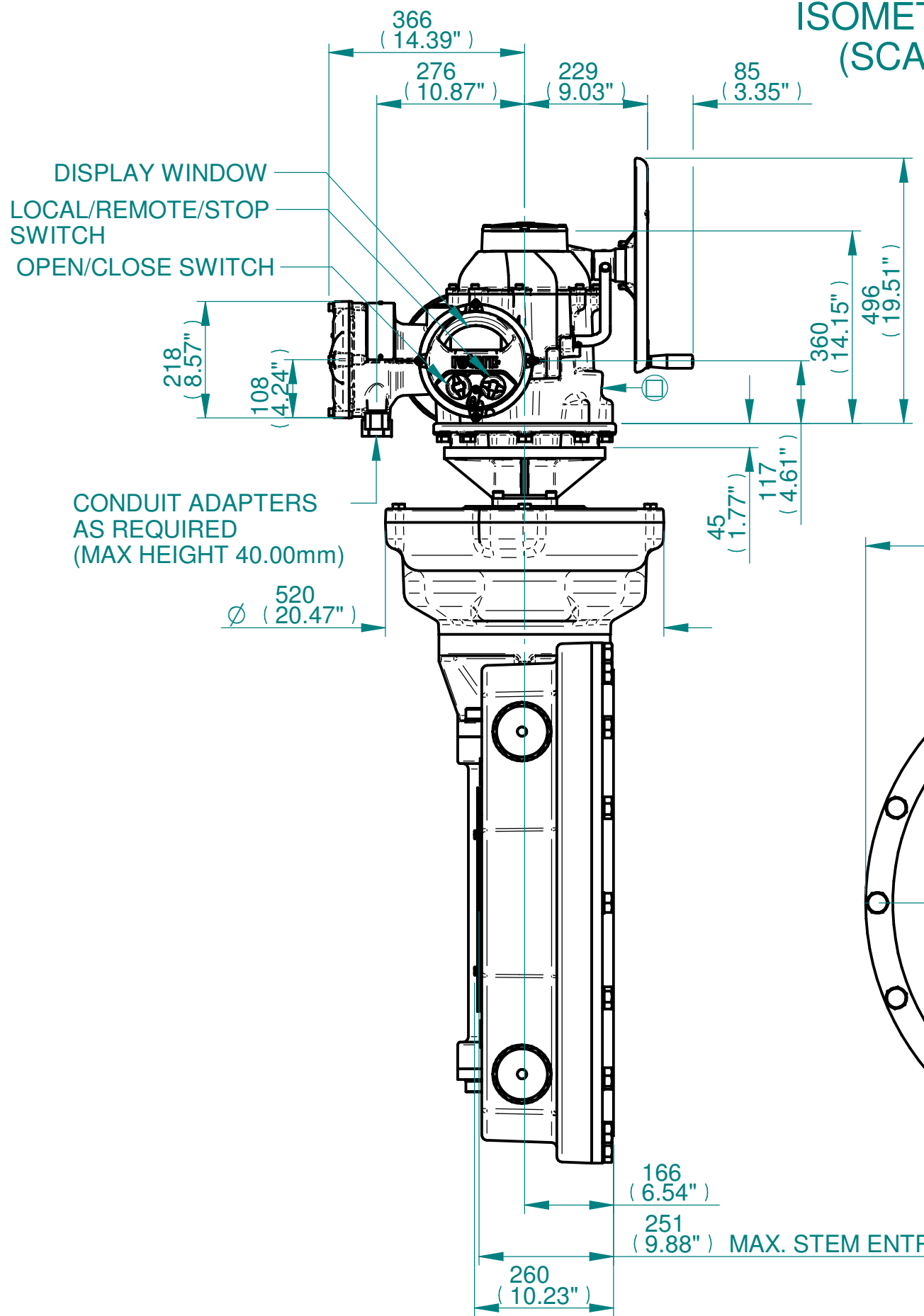
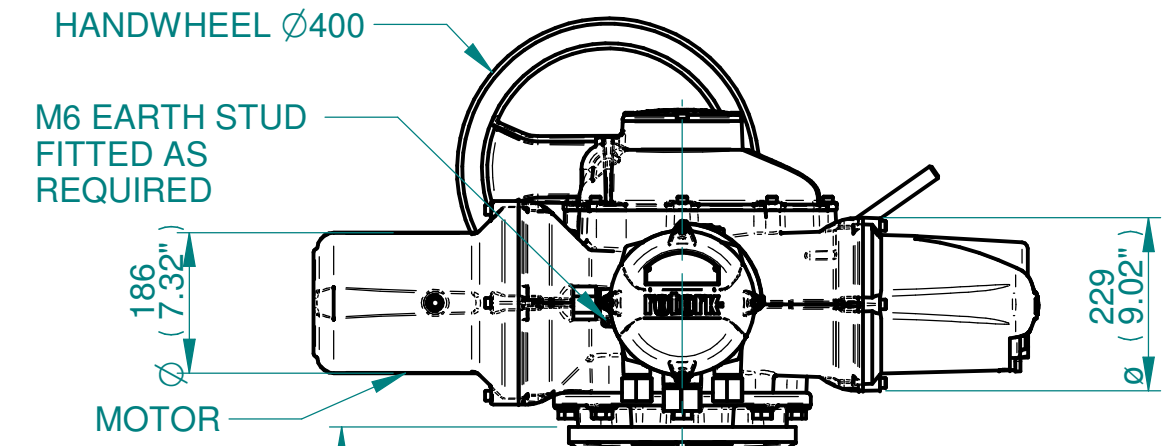
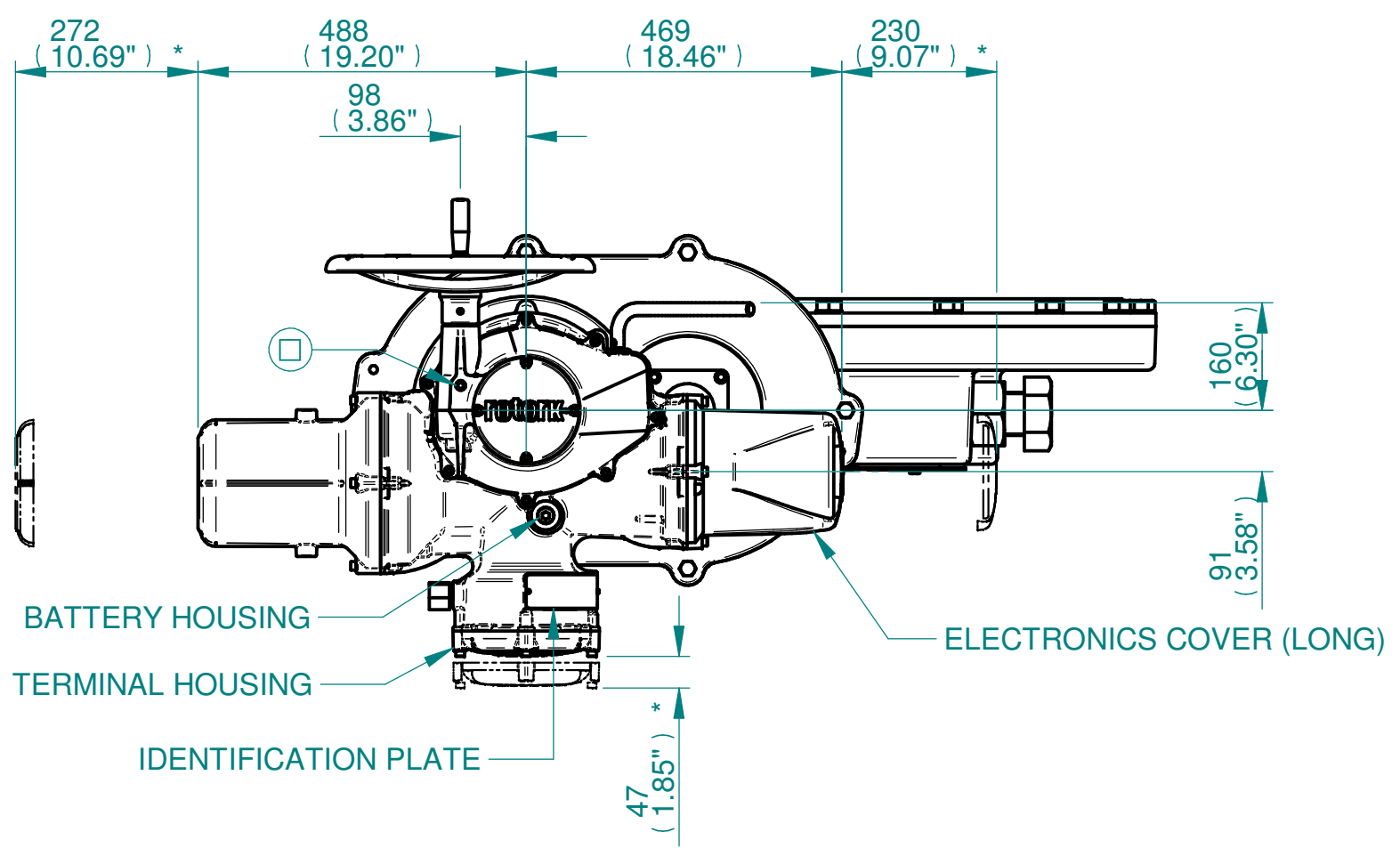
LEVER POSITION IN AUTO. LEVER AUTOMATICALLY RETURNS TO THIS POSITION WHEN RELEASED. Scale 1:6



SEE GEARBOX OUTPUT FLANGE OPTIONS TABLE

SEE MAXIMUM BORE & KEY TABLE

3D Models are available in various formats under the same drawing number



Actuator Size: IQ40 IW12 & 126IR4		Gearbox output flange options								Maximum Bore & Key			
Title	IQ40, SIDE HANDWHEEL, IW12IR4 / IW12IR4, F/FA35,40 & 48, Ratios 240 - 1120:1 Installation Details	Designation	F35	F40	F48	-	FA35	FA40	FA48	-	Key form	Ø Bore	Key size
Drawn	TED	No. Holes	8	8	12 NOT SHOWN	-	8	8	12 NOT SHOWN	-	Rectangle (BS4235)	272	63 X 32
Checked	NJC	Hole size	M30	M36	M36	-	1" UNC	1-1/4" UNC	1-1/4" UNC	-	Rectangle (ANSI B17.1)	10-1/4"	2-1/2 X 1-3/4"
Date	18-AUG-14	PCD	356	406	483	-	14"	16"	19"	-	Square (ANSI B17.1)	9-1/2"	2-1/2" SQ
Ref	SALES	Project Ref	QUOTATION										

Issue	Description	
3	OUTPUT FLANGE CHANGE	
Scale: 1:10		
THIRD ANGLE PROJECTION		
Drawing Number	Issue No	Sheet No
I4SHWIW12IR4STD	3	1 of 1

rotork
www.rotork.com
Rotork Controls Limited
Bath, BA1 3JQ, England.
Telephone 01225-733200

H
G
F
E
D
C
B
A

1 2 3 4 5 6 7 8 9 10 11 12