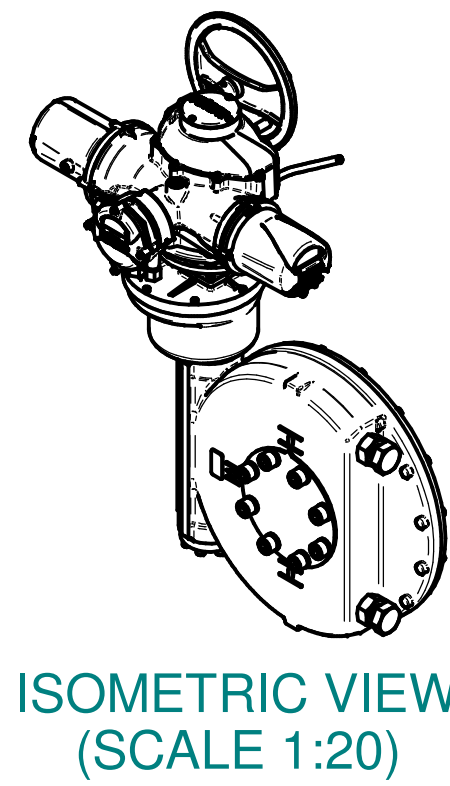
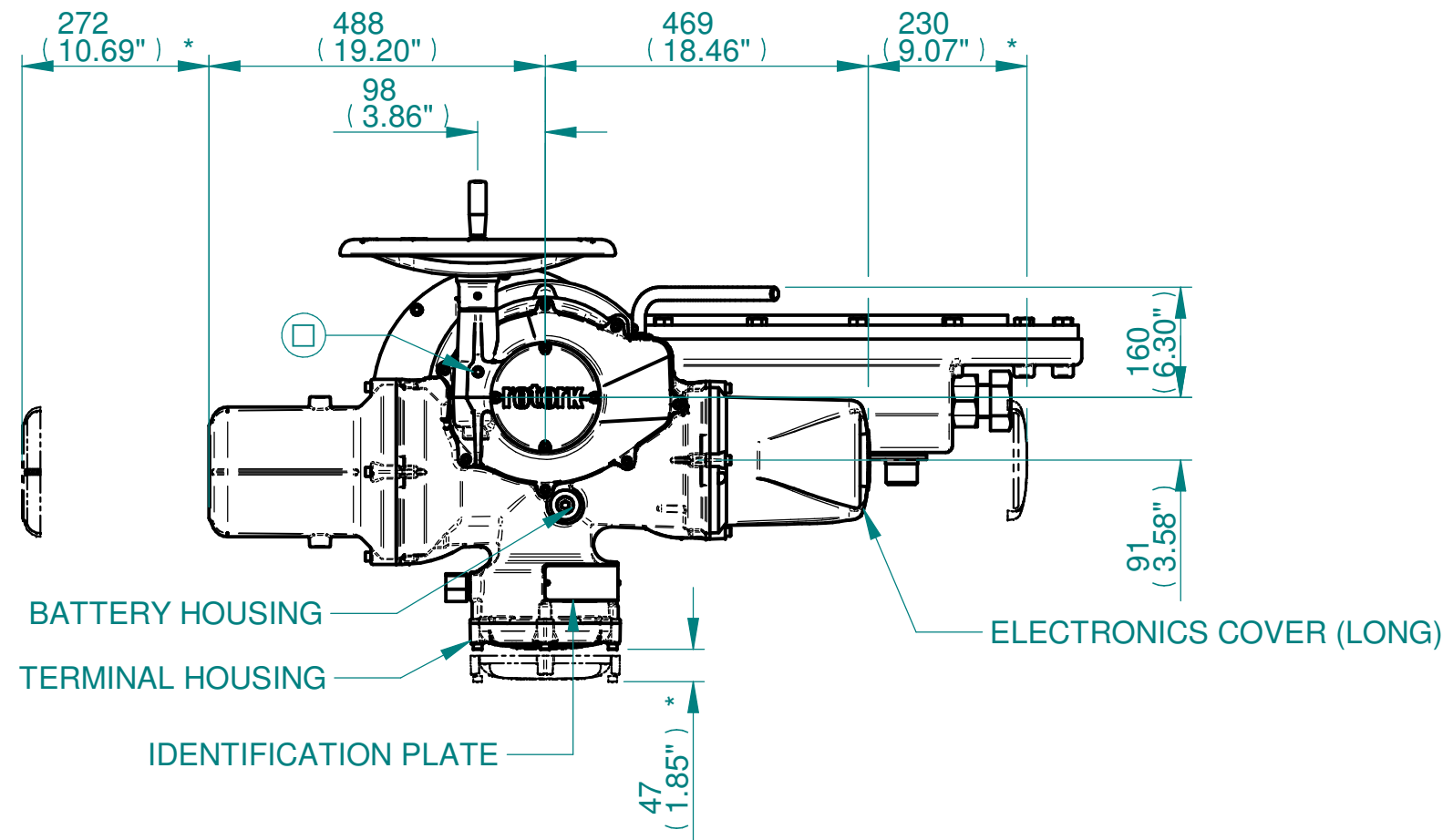
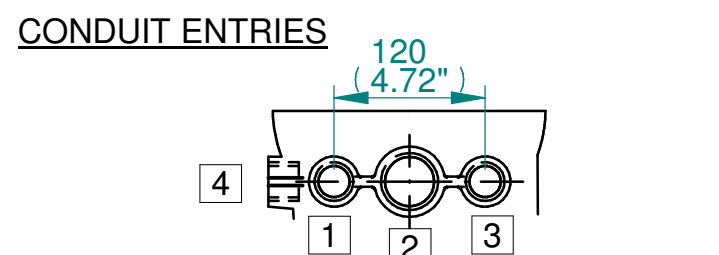


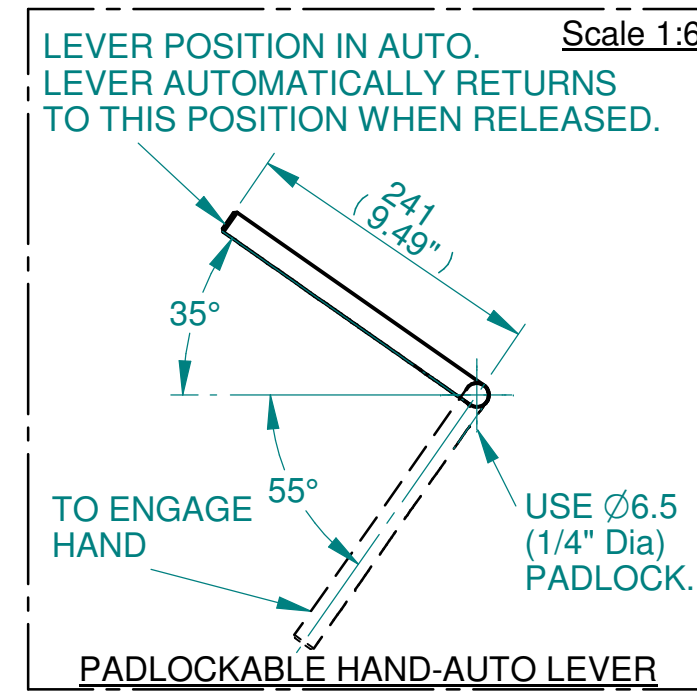
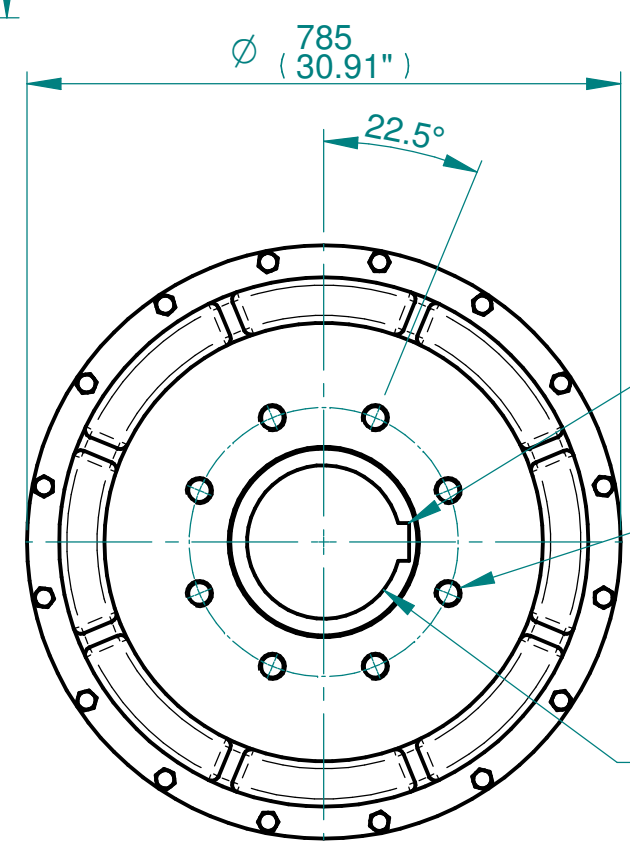
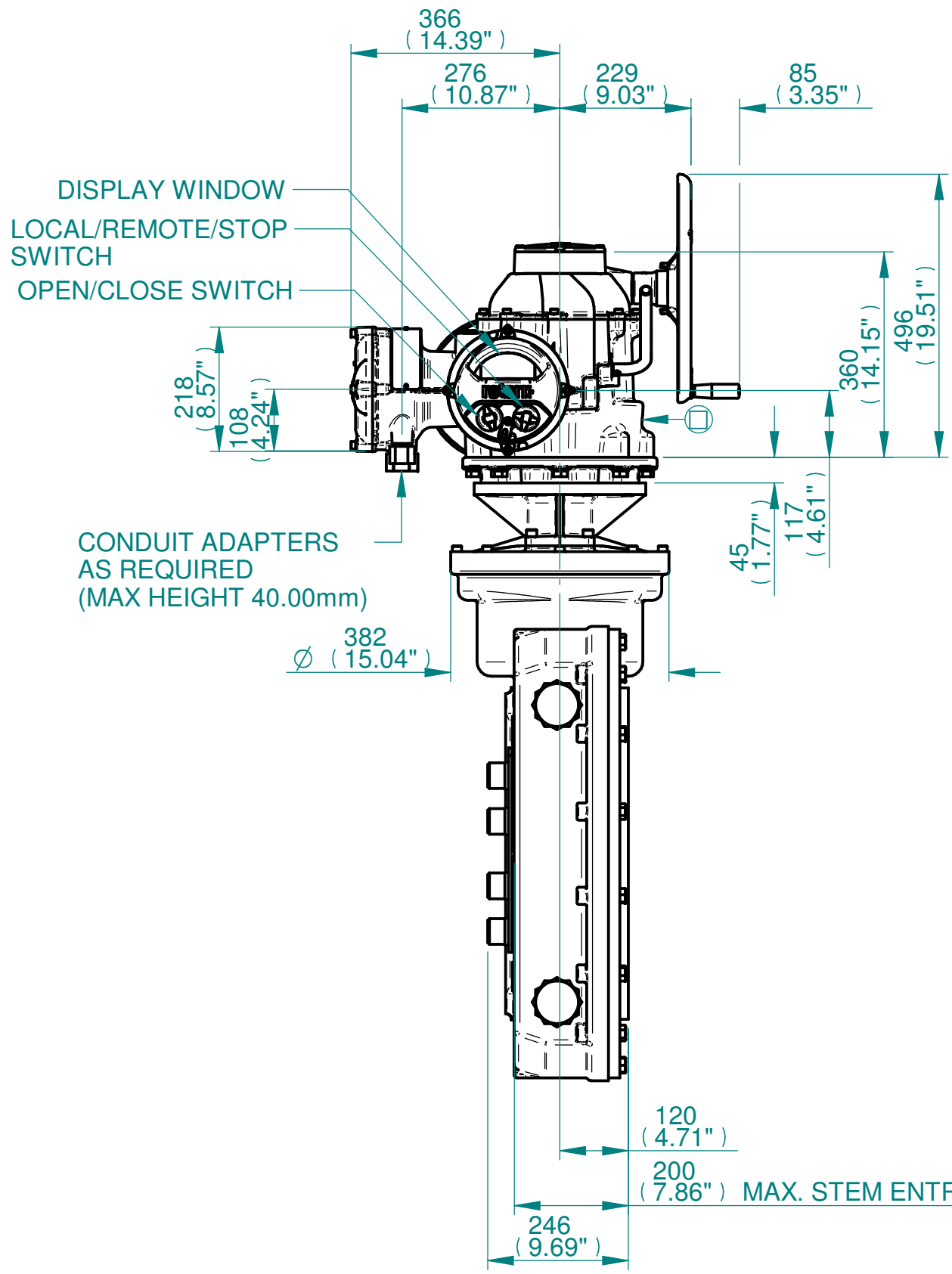
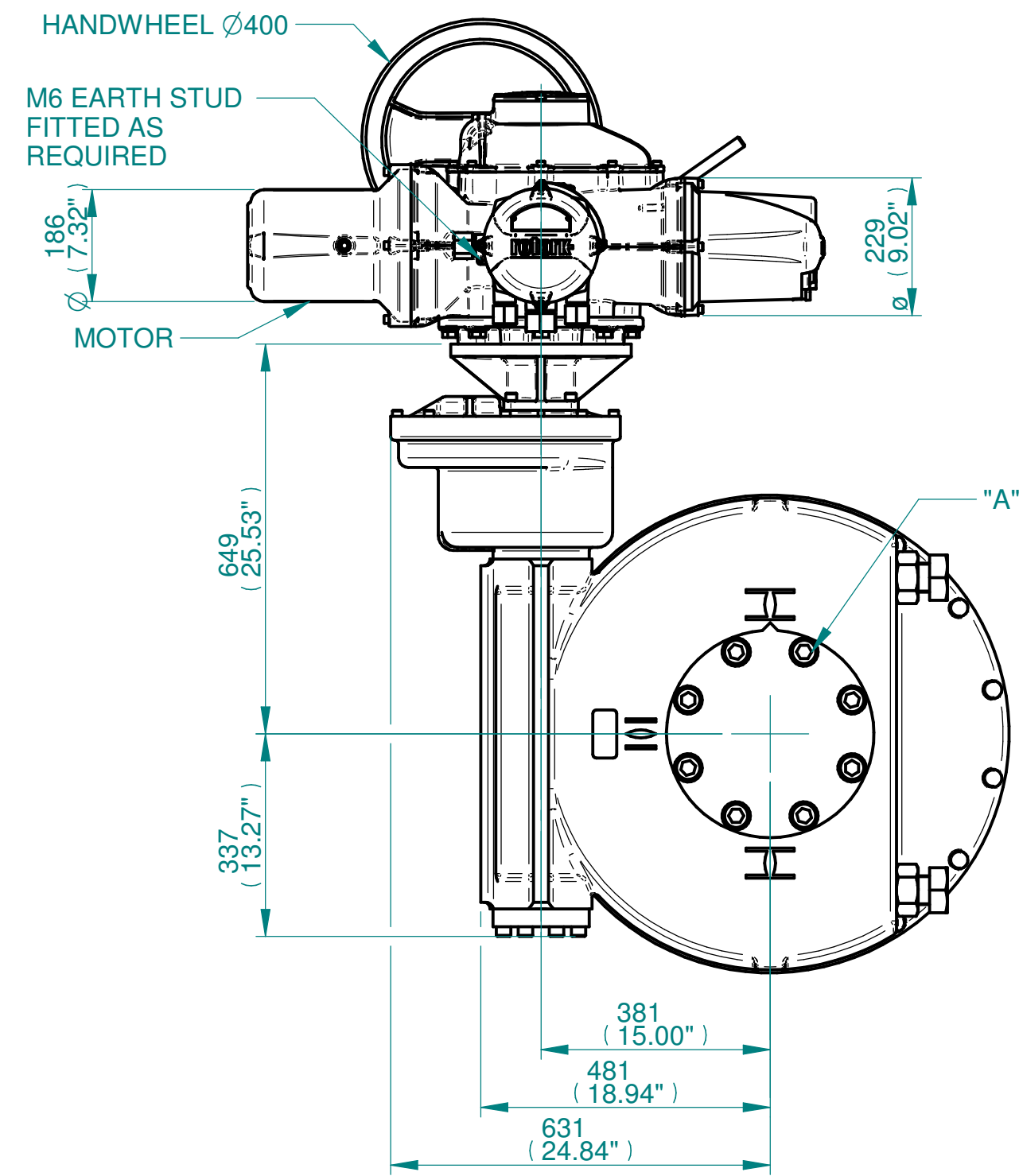
H  
G  
F  
E  
D  
C  
B  
A



**NOTES:**  
 : DIMENSIONS WITH "\*" INDICATE COVER REMOVAL ALLOWANCE  
 : NETT WEIGHT = 734kg/1638lbs  
 : = OIL FILLER/DRAIN PLUG  
 : THE INTERFACE PROVIDED FOR MOUNTING THE ACTUATOR OR SECOND STAGE GEARBOX ONTO THE VALVE SHOULD CONFORM TO GOOD ENGINEERING PRACTICES, ENSURING ADEQUATELY TOLERANCED LIMITS FOR PARALLELISM, PERPENDICULARITY AND CONCENTRICITY.  
 : ROTORK CANNOT BE HELD LIABLE FOR DAMAGE TO OUR EQUIPMENT CAUSED BY EXCESSIVE LOADING FROM COVER TUBES. (SEE ALSO PUB000-124)



	Hole 1	Hole 2	Hole 3	Hole 4
Size	As Required	As Required	As Required	As Required
Plugged	As Required	As Required	As Required	As Required
Gland	As Required	As Required	As Required	As Required



N.B. KEYWAY POS. CAN BE MOVED IN 45° STEPS BY REMOVING 8 SCREWS MARKED "A" AND ROTATING OUTPUT SLEEVE  
 SEE GEARBOX OUTPUT FLANGE OPTIONS TABLE  
 SEE MAXIMUM BORE & KEY TABLE

3D Models are available in various formats under the same drawing number

**rotork**  
www.rotork.com  
Rotork Controls Limited  
Bath, BA1 3JQ, England.  
Telephone 01225-733200

Actuator Size: IQ40 IW11,115 & 116R/MOW11R		Gearbox output flange options								Maximum Bore & Key		
Title IQ40, SIDE HANDWHEEL, IW11R / IW115R / IW116R / MOW11R, F/FA35,40 & 48, Ratios 180 - 3650:1 Installation Details	Designation	F35	F40	F48	-	FA35	FA40	FA48	-	Key form	$\varnothing$ Bore	Key size
Drawn TED Checked NJC Date 18-AUG-14	No. Holes	8	8	12 NOT SHOWN	-	8	8	12 NOT SHOWN	-	Rectangle (BS4235)	270	63 X 32
Ref SALES Project Ref QUOTATION	Hole size	M30	M36	M36	-	1" UNC	1-1/4" UNC	1-1/4" UNC	-	Rectangle (ANSI B17.1)	7-5/8"	2 X 1-1/2"
	PCD	356	406	483	-	14"	16"	19"	-	Square (ANSI B17.1)	7-3/8"	1-3/4" SQ

Issue	Description
3	OUTPUT FLANGE CHANGE
Scale: 1:10	
THIRD ANGLE PROJECTION	
A2	Drawing Number Issue No Sheet No
I4SHWIW11RSTD	3 1 of 1

1 2 3 4 5 6 7 8 9 10 11 12