
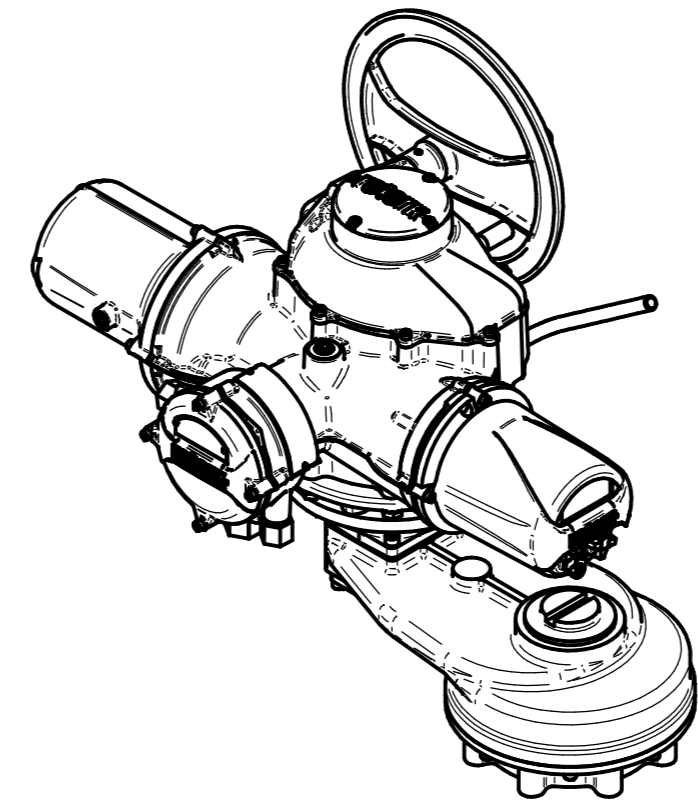
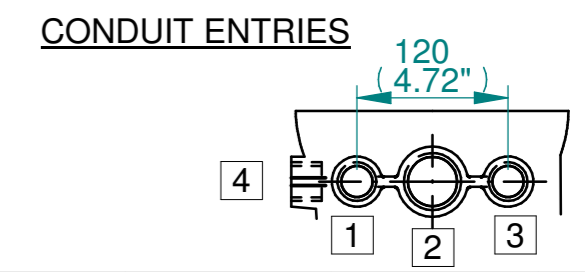


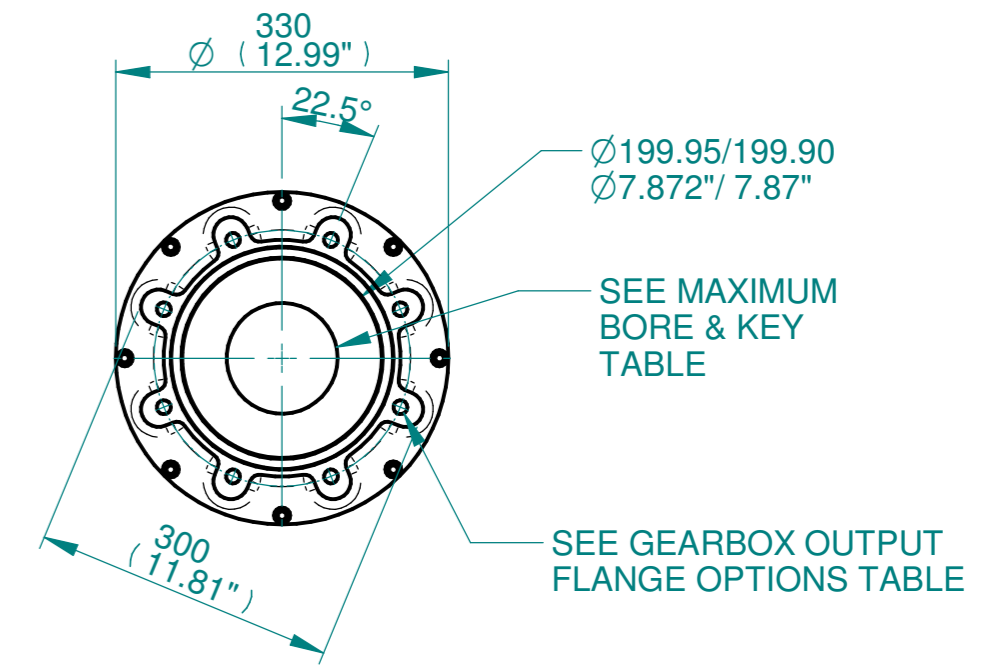
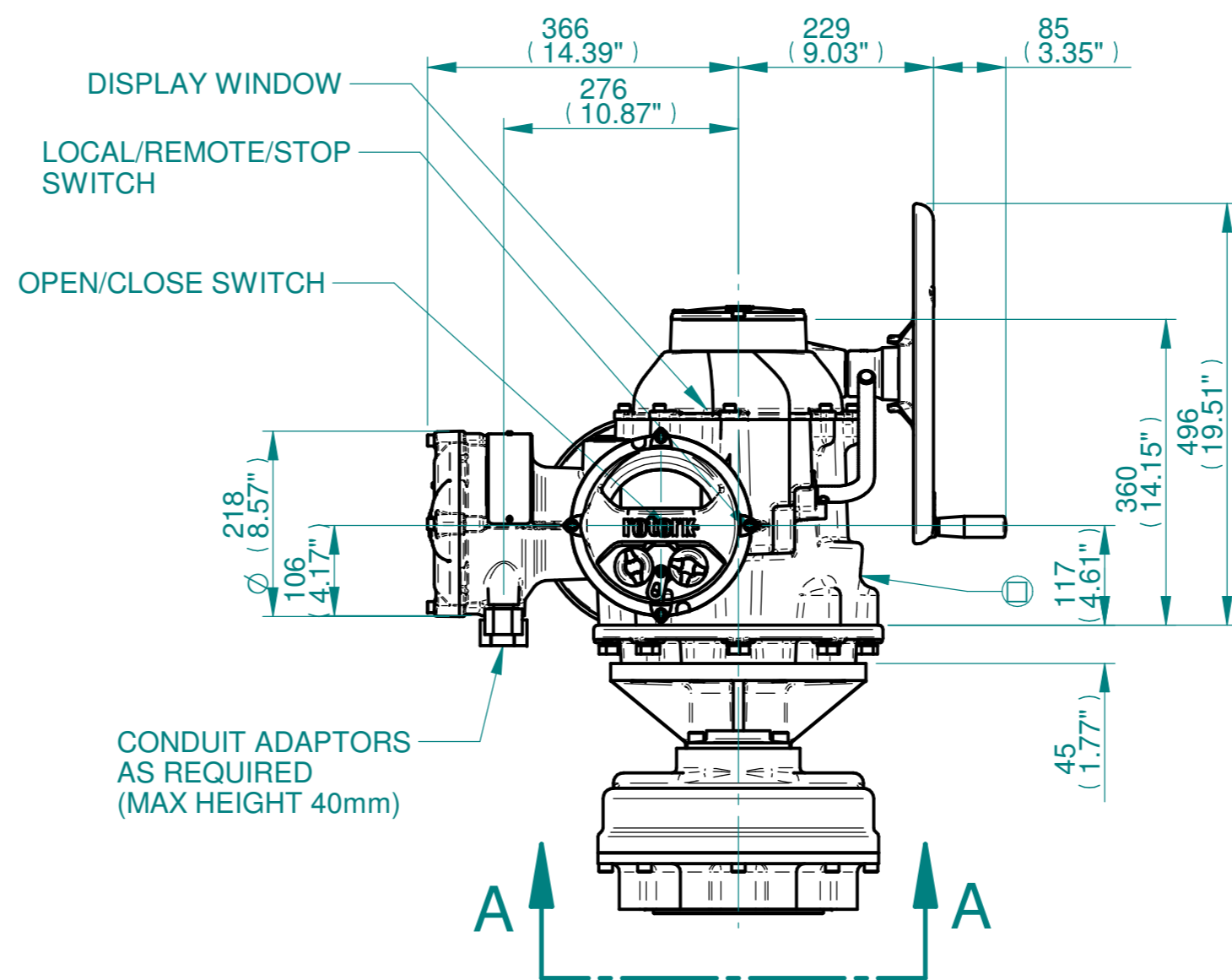
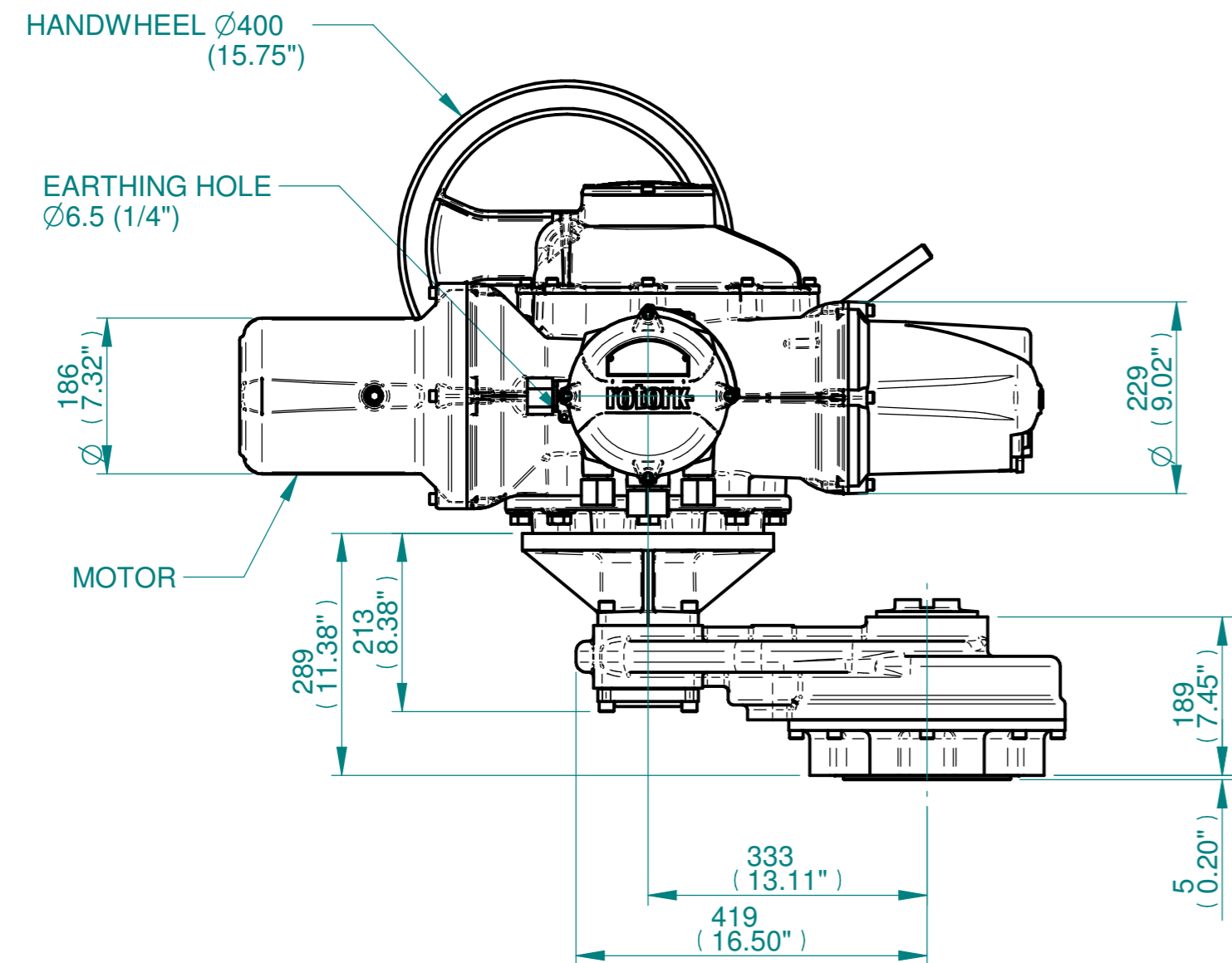
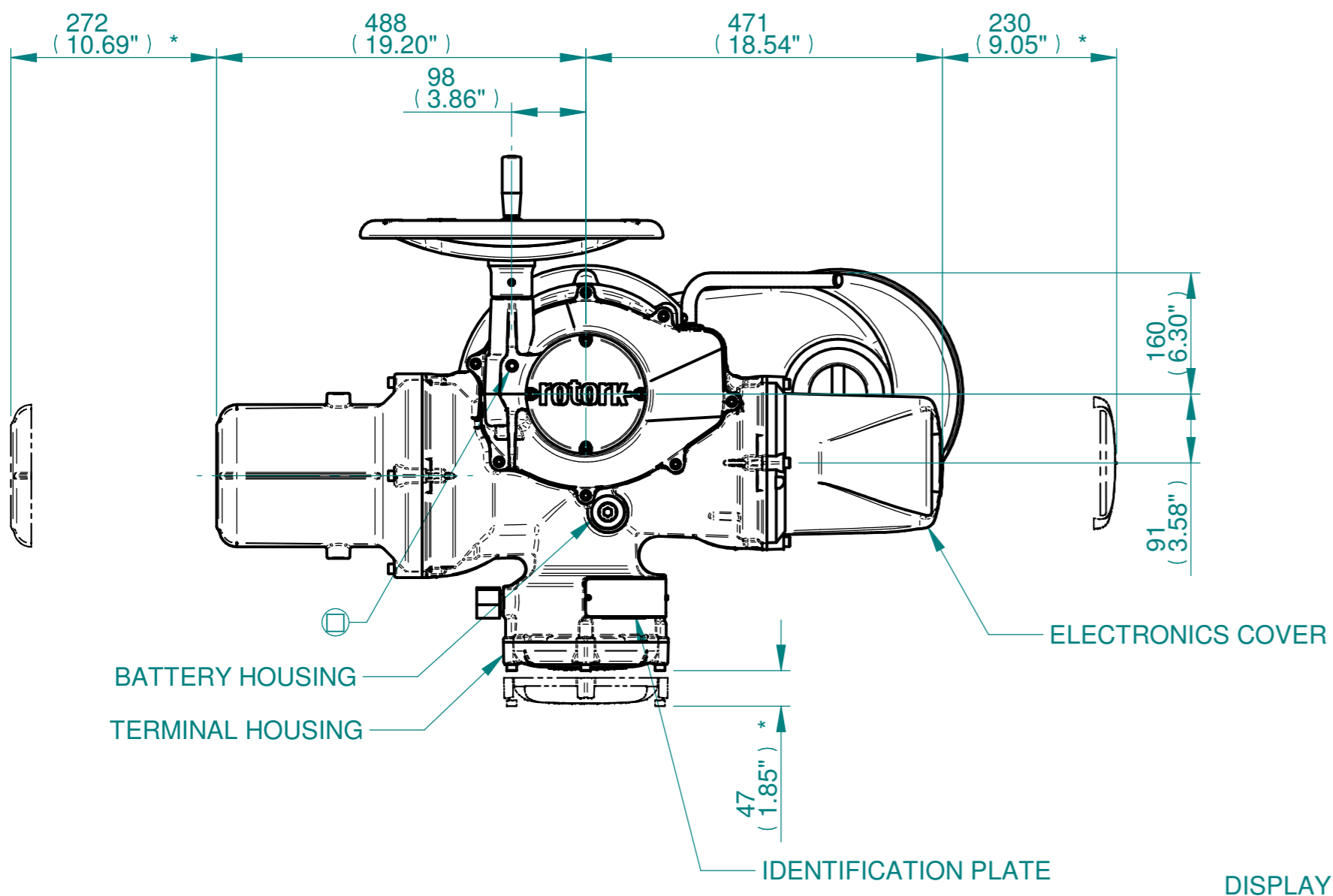
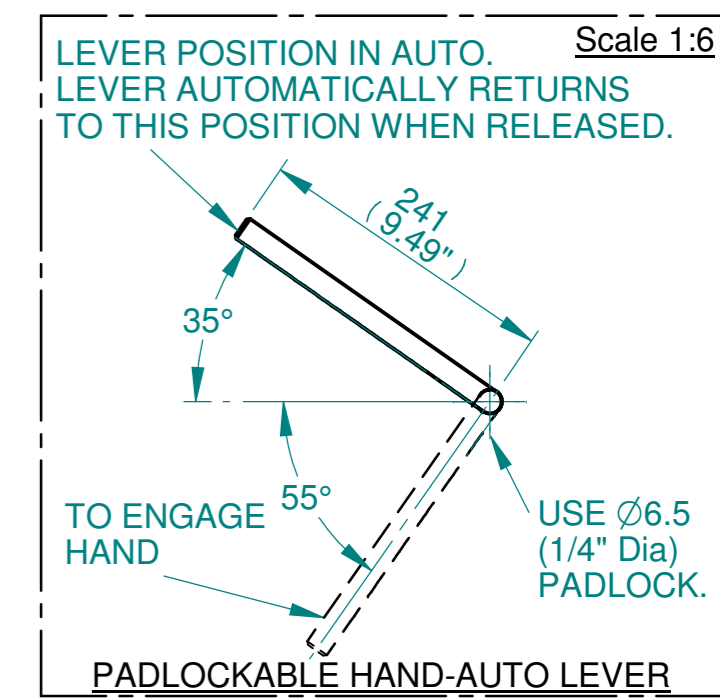
NOTES:
 :DIMENSIONS WITH "*" INDICATE COVER REMOVAL ALLOWANCE
 :NETT WEIGHT = 227kg/500lbs
 :  = OIL FILLER/DRAIN PLUG
 :THE INTERFACE PROVIDED FOR MOUNTING THE ACTUATOR OR SECOND STAGE GEARBOX ONTO THE VALVE SHOULD CONFORM TO GOOD ENGINEERING PRACTICES, ENSURING ADEQUATELY TOLERANCED LIMITS FOR PARALLELISM, PERPENDICULARITY AND CONCENTRICITY.
 :ROTORK CANNOT BE HELD LIABLE FOR DAMAGE TO OUR EQUIPMENT CAUSED BY EXCESSIVE LOADING FROM COVER TUBES. (SEE ALSO PUB000-124)



ISOMETRIC VIEW
1:10



	Hole 1	Hole 2	Hole 3	Hole 4
Size	As Required	As Required	As Required	As Required
Plugged	As Required	As Required	As Required	As Required
Gland	As Required	As Required	As Required	As Required

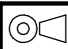


VIEW A-A

3D Models are available in various formats under the same drawing number

Actuator Size: IQ40, IS9		Gearbox output flange options								Maximum Bore & Key					
rotork www.rotork.com Rotork Controls Limited Bath, BA1 3JQ, England. Telephone 01225-733200	Title IQ40, SIDE HANDWHEEL, IS9, F25, FA25, Ratios 4:1,6:1,8:1,10:1,12:1 15:1 Installation Details	Designation	F25	-	-	-	-	FA25	-	-	-	Key form	\varnothing Bore	Key size	
	Drawn DH Checked JBA Date FEB 19	No. Holes	8	-	-	-	-	8	-	-	-	Rectangle (BS4235)	76	22 x 14	
	Ref SALES Project Ref QUOTATION	Hole size	M16	-	-	-	-	5/8" UNC	-	-	-	-	-	-	-
		PCD	254	-	-	-	-	10"	-	-	-	-	-	-	-

Issue	Description
1	FIRST ISSUE

Scale: 1:7.5  THIRD ANGLE PROJECTION

Drawing Number	Issue No	Sheet No
I14SHWIS9STD	1	1 of 1