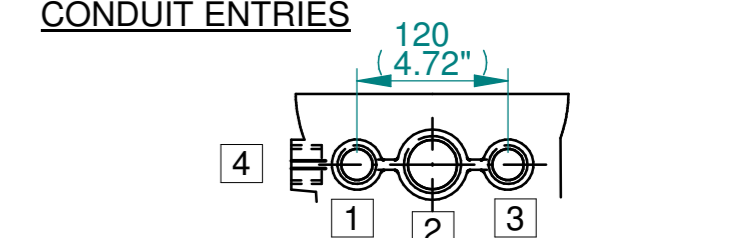
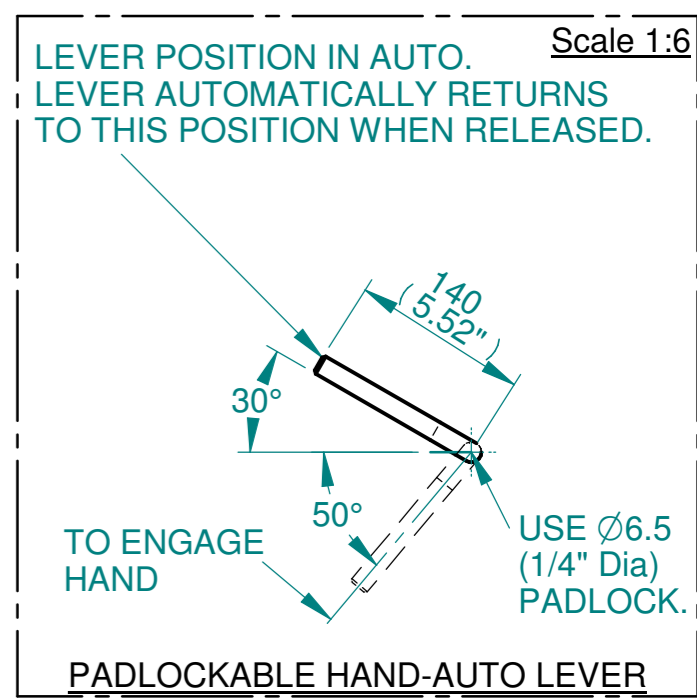
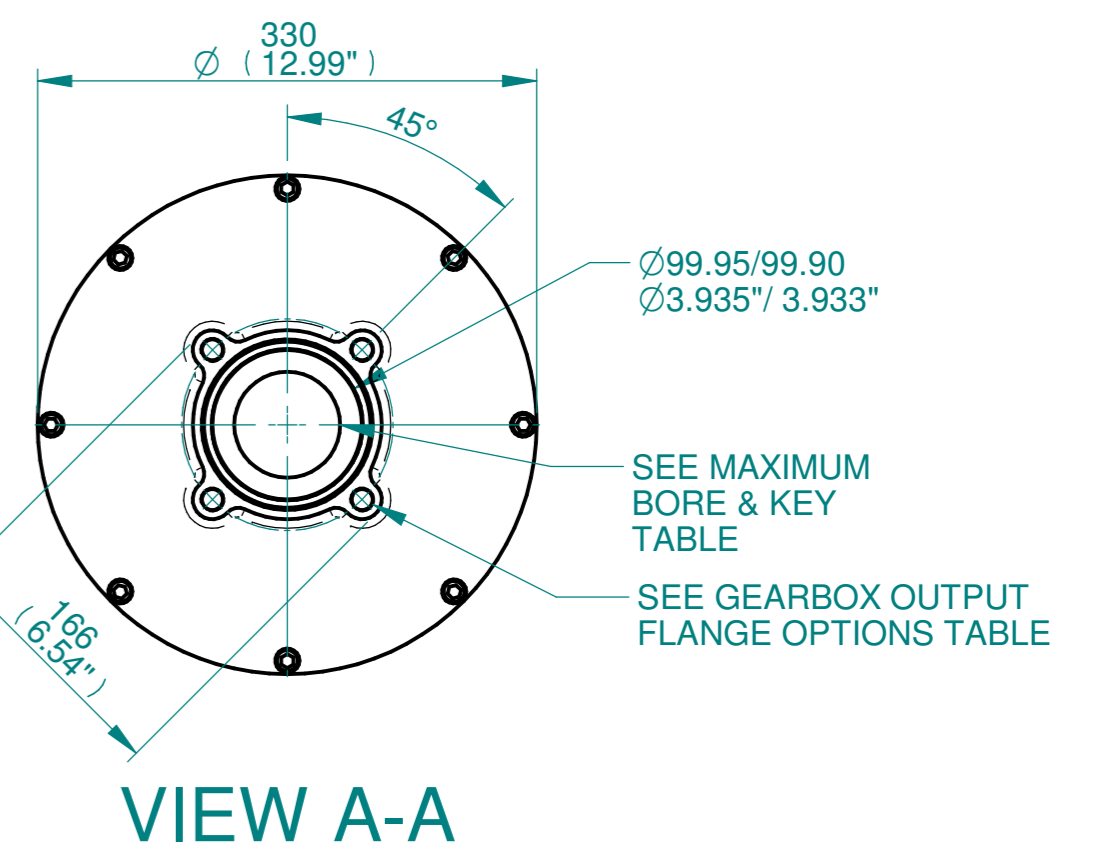
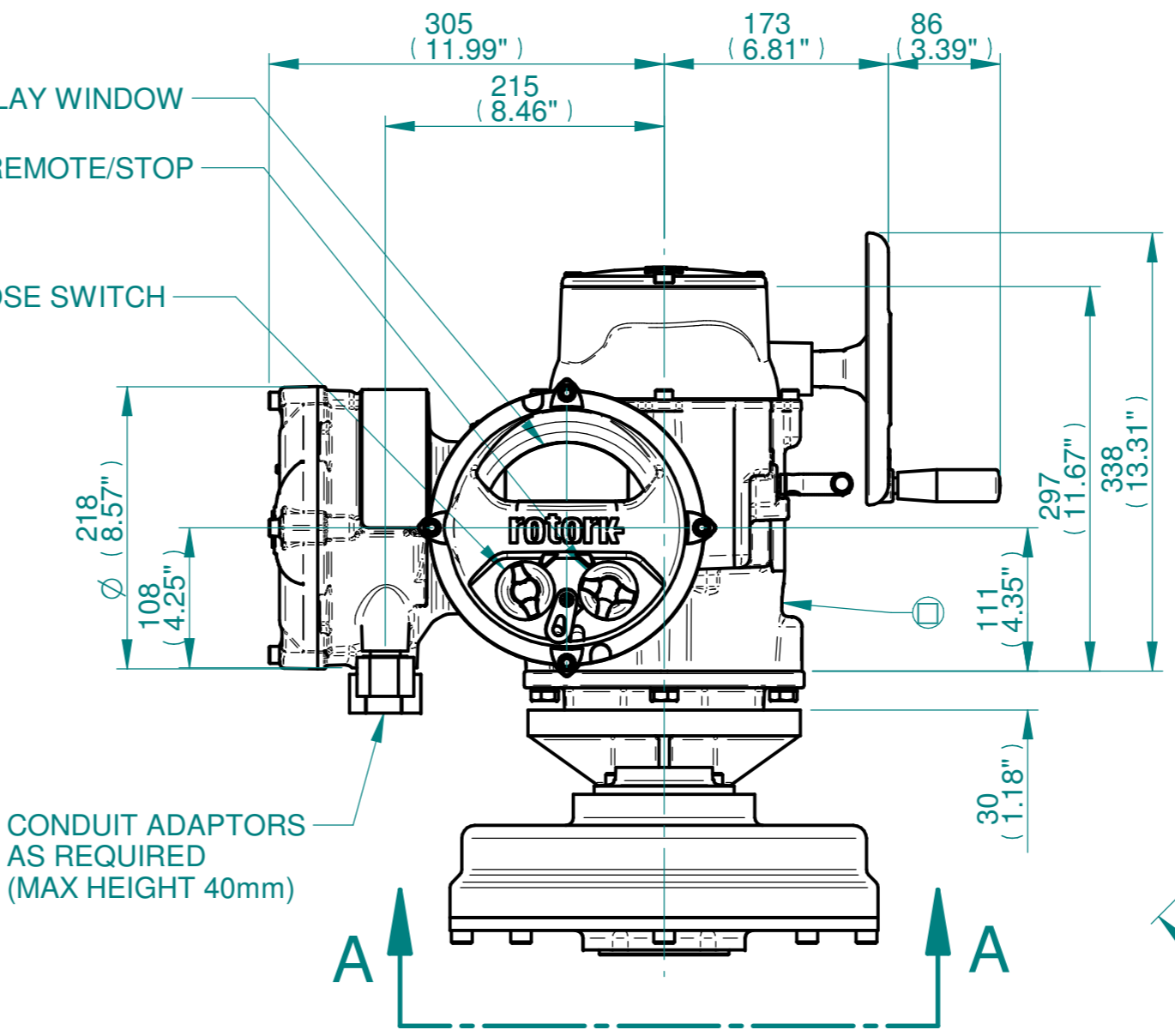
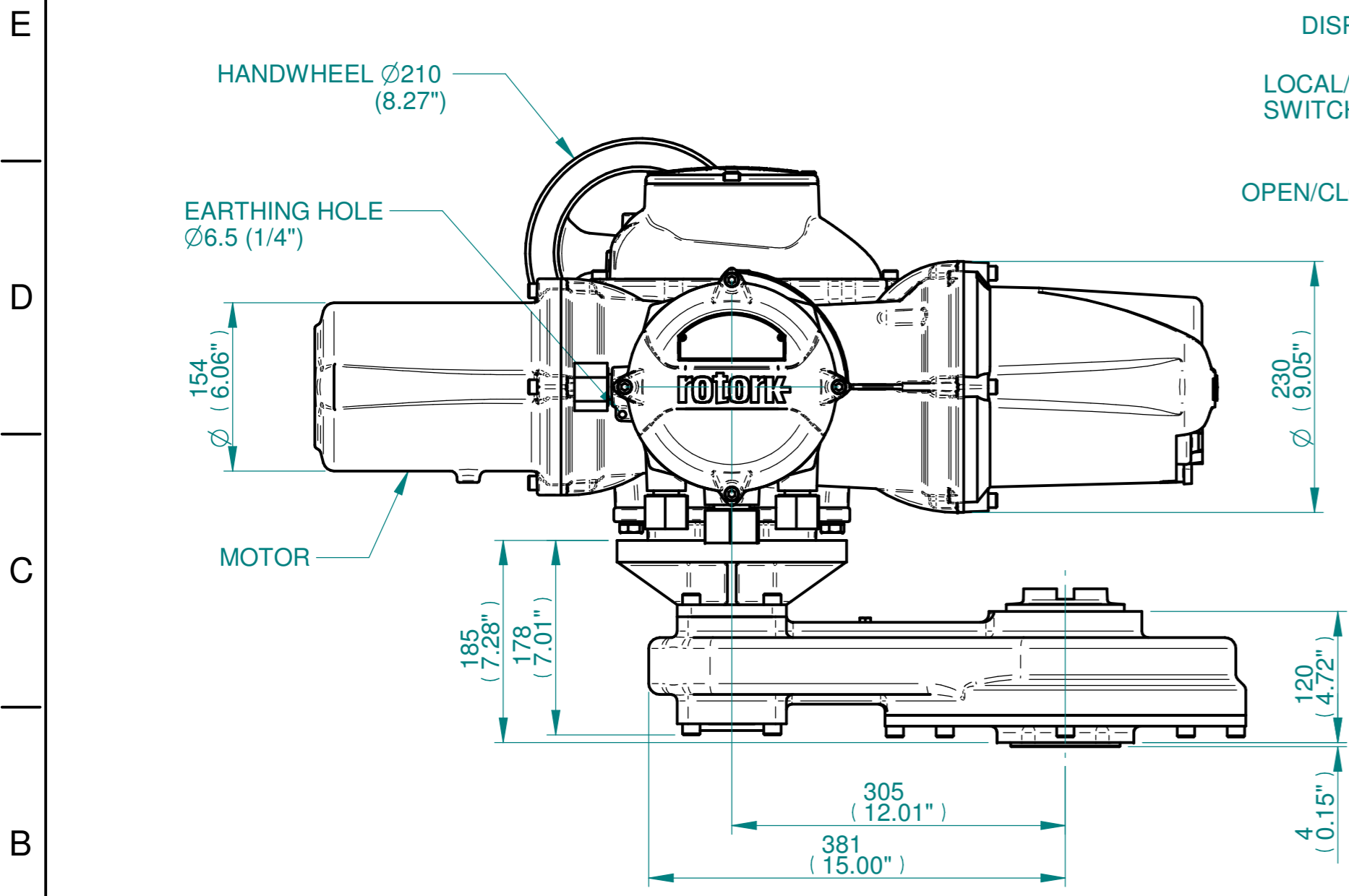


ISOMETRIC VIEW
1:10

NOTES:
 :DIMENSIONS WITH "*" INDICATE COVER REMOVAL ALLOWANCE
 :ELECTRONICS COVER OPTION "*" WILL VARY DEPENDING ON CONFIGURATION
 :NETT WEIGHT = 115kg/253lbs
 : = OIL FILLER/DRAIN PLUG
 :THE INTERFACE PROVIDED FOR MOUNTING THE ACTUATOR OR SECOND STAGE GEARBOX ONTO THE VALVE SHOULD CONFORM TO GOOD ENGINEERING PRACTICES, ENSURING ADEQUATELY TOLERANCED LIMITS FOR PARALLELISM, PERPENDICULARITY AND CONCENTRICITY.
 :ROTORK CANNOT BE HELD LIABLE FOR DAMAGE TO OUR EQUIPMENT CAUSED BY EXCESSIVE LOADING FROM COVER TUBES. (SEE ALSO PUB000-124)



	Hole 1	Hole 2	Hole 3	Hole 4
Size	As Required	As Required	As Required	As Required
Plugged	As Required	As Required	As Required	As Required
Gland	As Required	As Required	As Required	As Required



 www.rotork.com	Actuator Size: IQ35, IS6		Gearbox output flange options								Maximum Bore & Key			
	Title IQ35, SIDE HANDWHEEL, IS6, F14, FA14, Ratios 2:1,3:1,4:1,6:1 & 8:1 Installation Details		Designation	F14	-	-	-	FA14	-	-	-	Key form	Ø Bore	Key size
	Drawn DH Checked JBA Date JAN 19		No. Holes	4	-	-	-	4	-	-	-	Rectangle (BS4235)	52	16 x 10
	Ref SALES Project Ref QUOTATION		Hole size	M16	-	-	-	5/8" UNC	-	-	-	-	-	-
		PCD	140	-	-	-	51/2"	-	-	-	-	-	-	

3D Models are available in various formats under the same drawing number

Issue	Description
1	FIRST ISSUE
Scale: 1:5	
THIRD ANGLE PROJECTION	
A2	Drawing Number Issue No Sheet No
I13SHWIS6STD	1 1 of 1