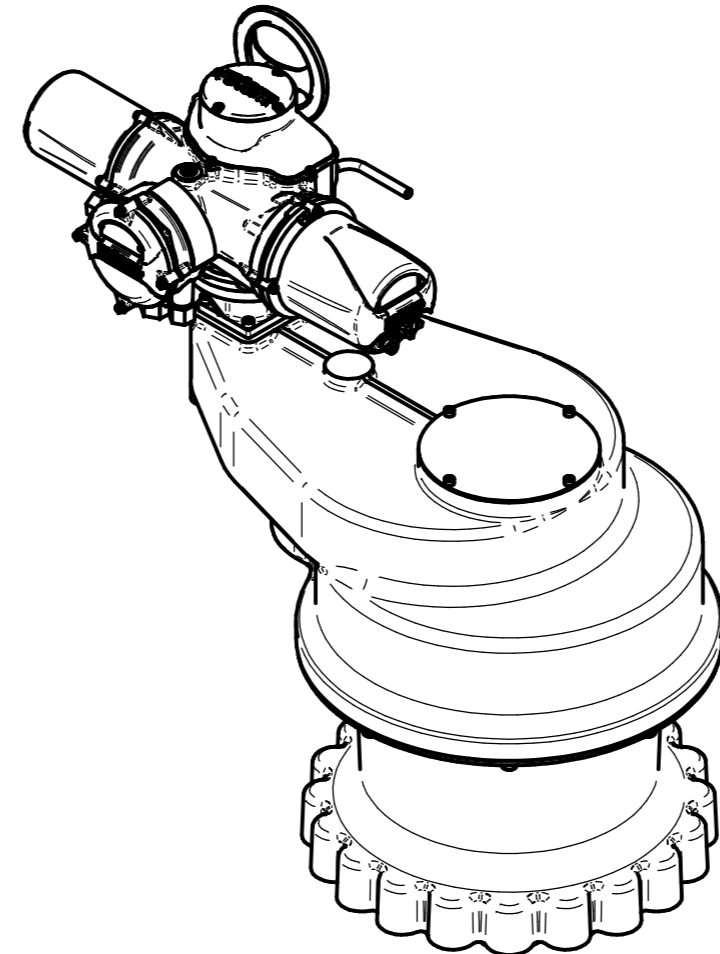
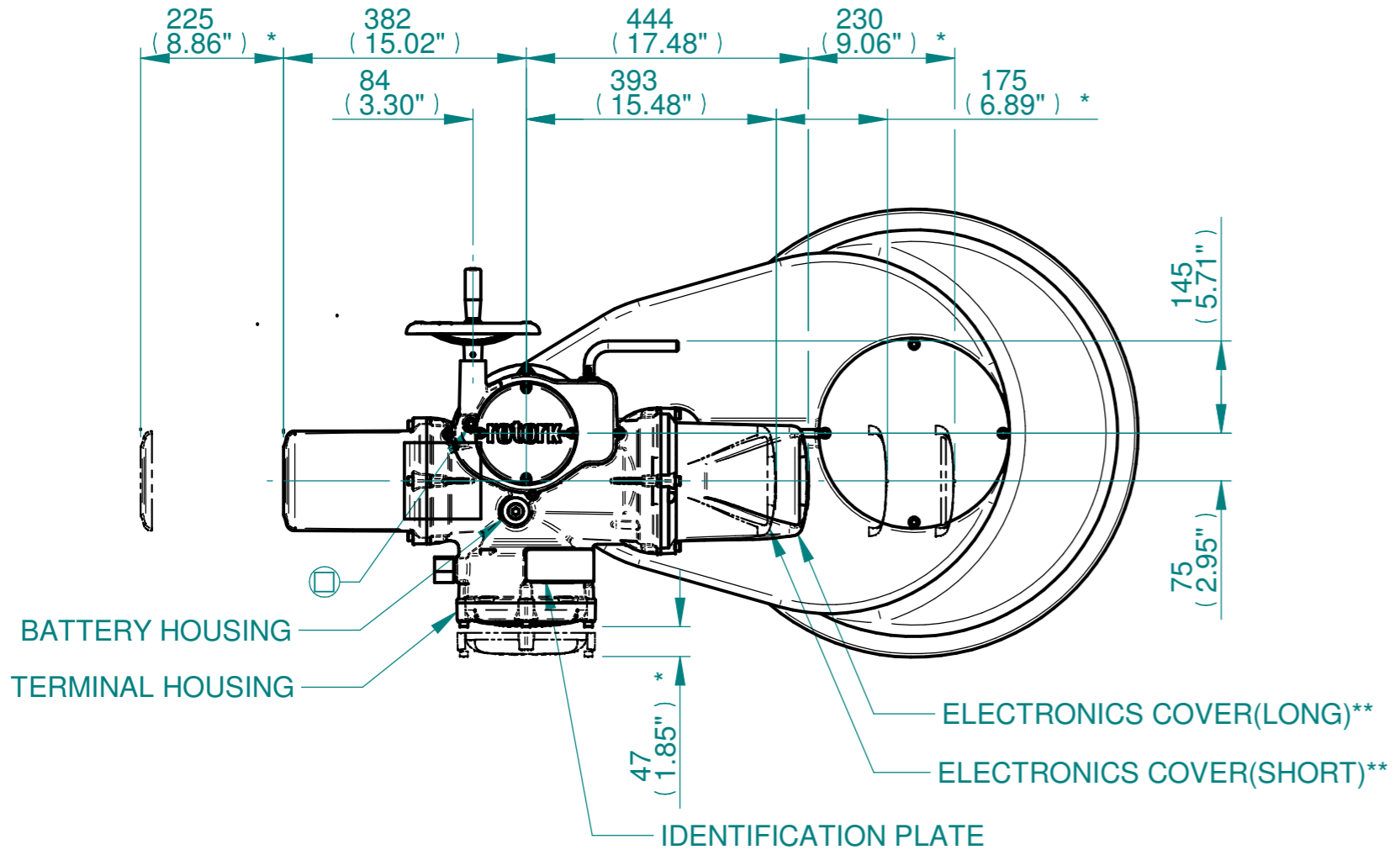
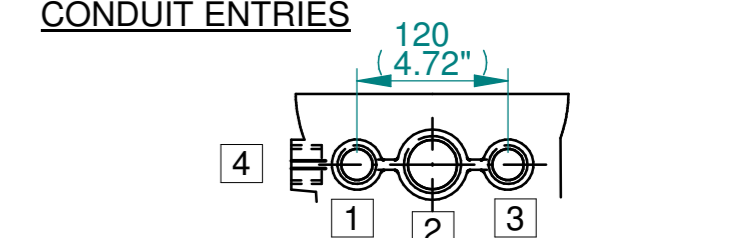


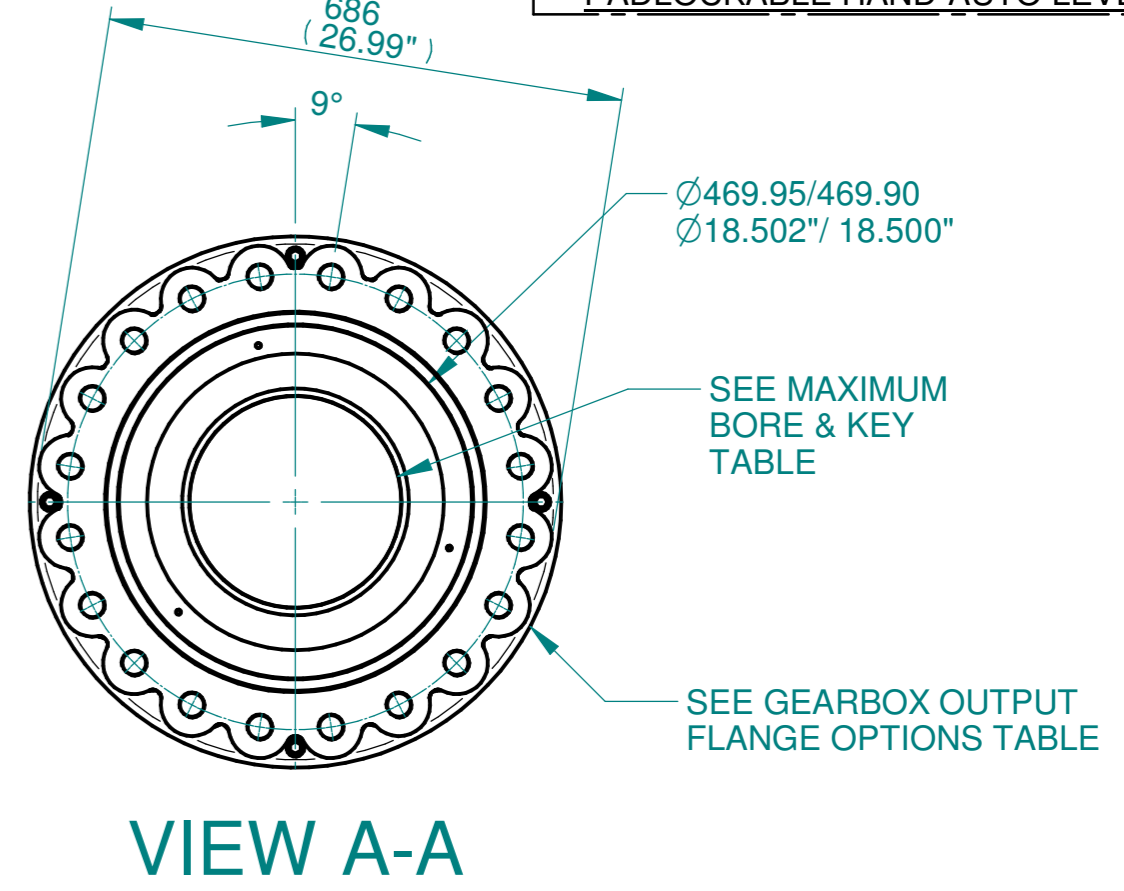
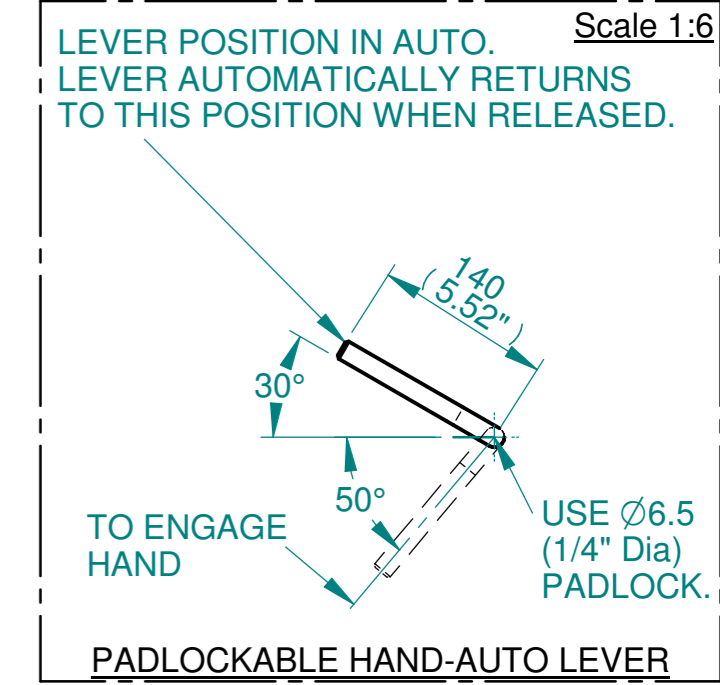
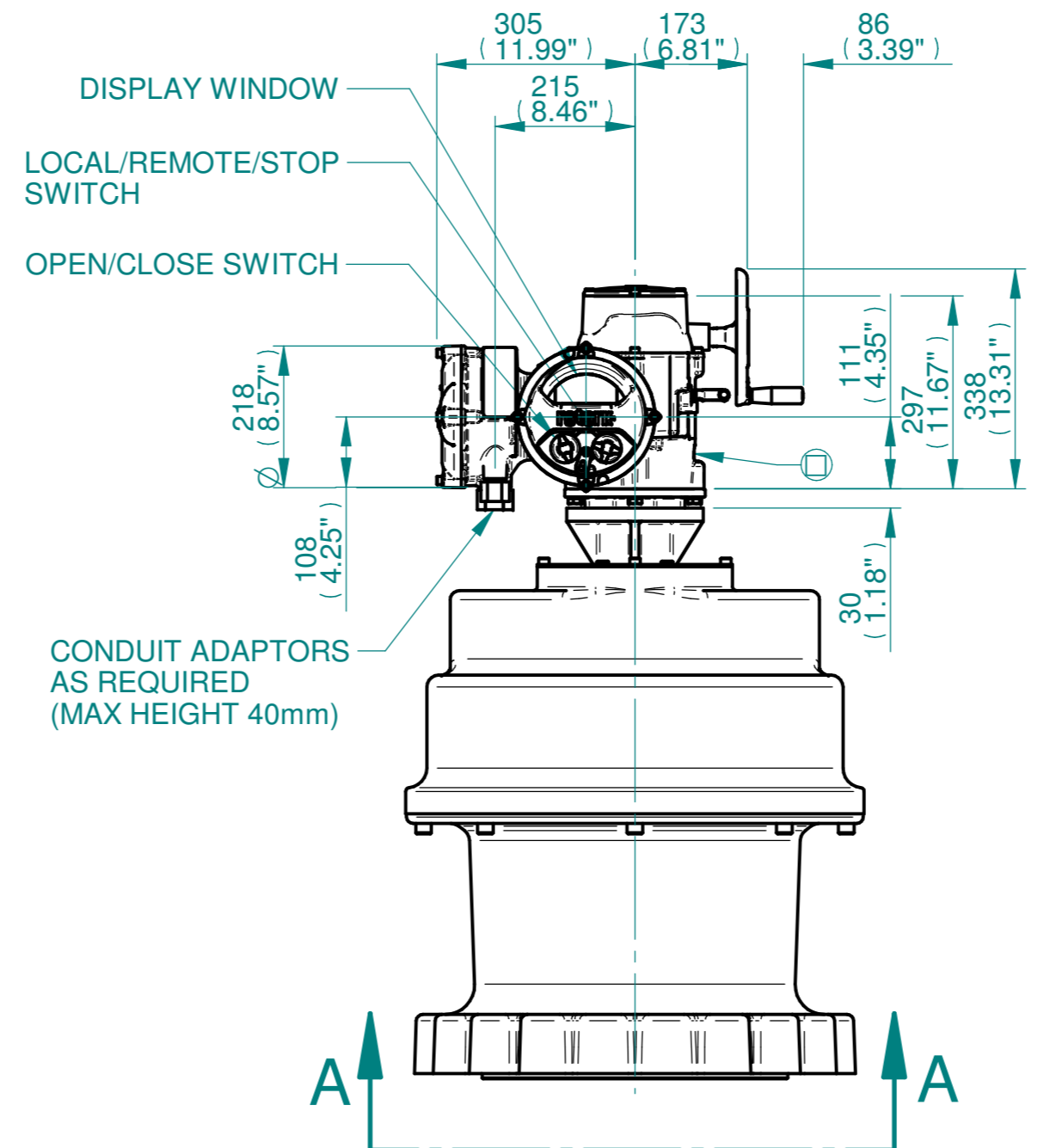
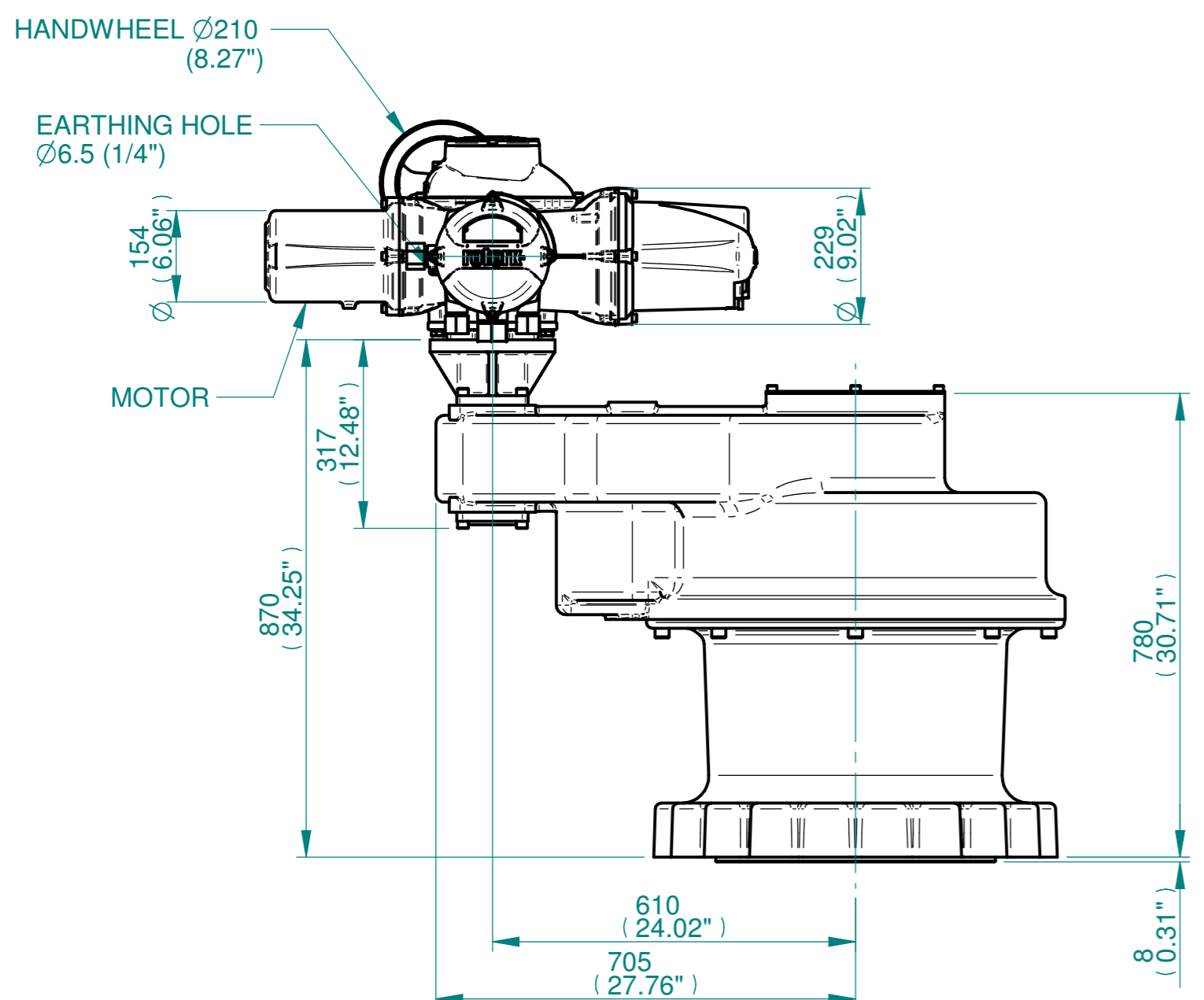
H  
G  
F  
E  
D  
C  
B  
A



**NOTES:**  
 : DIMENSIONS WITH "\*" INDICATE COVER REMOVAL ALLOWANCE  
 : ELECTRONICS COVER OPTION "\*\*" WILL VARY DEPENDING ON CONFIGURATION  
 : NETT WEIGHT = 1190kg/2623lbs  
 : = OIL FILLER/DRAIN PLUG  
 : THE INTERFACE PROVIDED FOR MOUNTING THE ACTUATOR OR SECOND STAGE GEARBOX ONTO THE VALVE SHOULD CONFORM TO GOOD ENGINEERING PRACTICES, ENSURING ADEQUATELY TOLERANCED LIMITS FOR PARALLELISM, PERPENDICULARITY AND CONCENTRICITY.  
 : ROTORK CANNOT BE HELD LIABLE FOR DAMAGE TO OUR EQUIPMENT CAUSED BY EXCESSIVE LOADING FROM COVER TUBES. (SEE ALSO PUB000-124)



	Hole 1	Hole 2	Hole 3	Hole 4
Size	As Required	As Required	As Required	As Required
Plugged	As Required	As Required	As Required	As Required
Gland	As Required	As Required	As Required	As Required



3D Models are available in various formats under the same drawing number

**rotork**  
www.rotork.com  
Rotork Controls Limited  
Bath, BA1 3JQ, England.  
Telephone 01225-733200

Actuator Size: IQ35, IS21		Gearbox output flange options								Maximum Bore & Key			
Title	IQ35, SIDE HANDWHEEL, IS21, F60, FA60, Ratios 6:1,8:1,10:1,12:1,15:1,24:1 Installation Details	Designation	F60	-	-	-	FA60	-	-	-	Key form	Ø Bore	Key size
Drawn	DH	No. Holes	20	-	-	-	20	-	-	-	Rectangle (BS4235)	206	50 x 28
Checked	JBA	Hole size	M36	-	-	-	11/4" UNC	-	-	-	-	-	-
Date	MARCH 19	PCD	603	-	-	-	23.75"	-	-	-	-	-	-
Ref	SALES	Project Ref	QUOTATION	-	-	-	-	-	-	-	-	-	-

Issue	Description
1	FIRST ISSUE

Scale: 1:10

THIRD ANGLE PROJECTION

Drawing Number	Issue No	Sheet No
I13SHWIS21STD	1	1 of 1

1 2 3 4 5 6 7 8 9 10 11 12