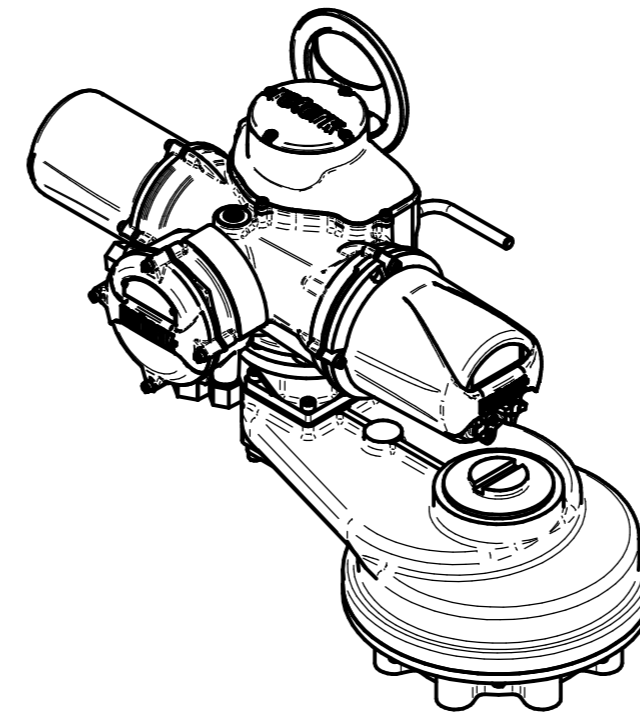
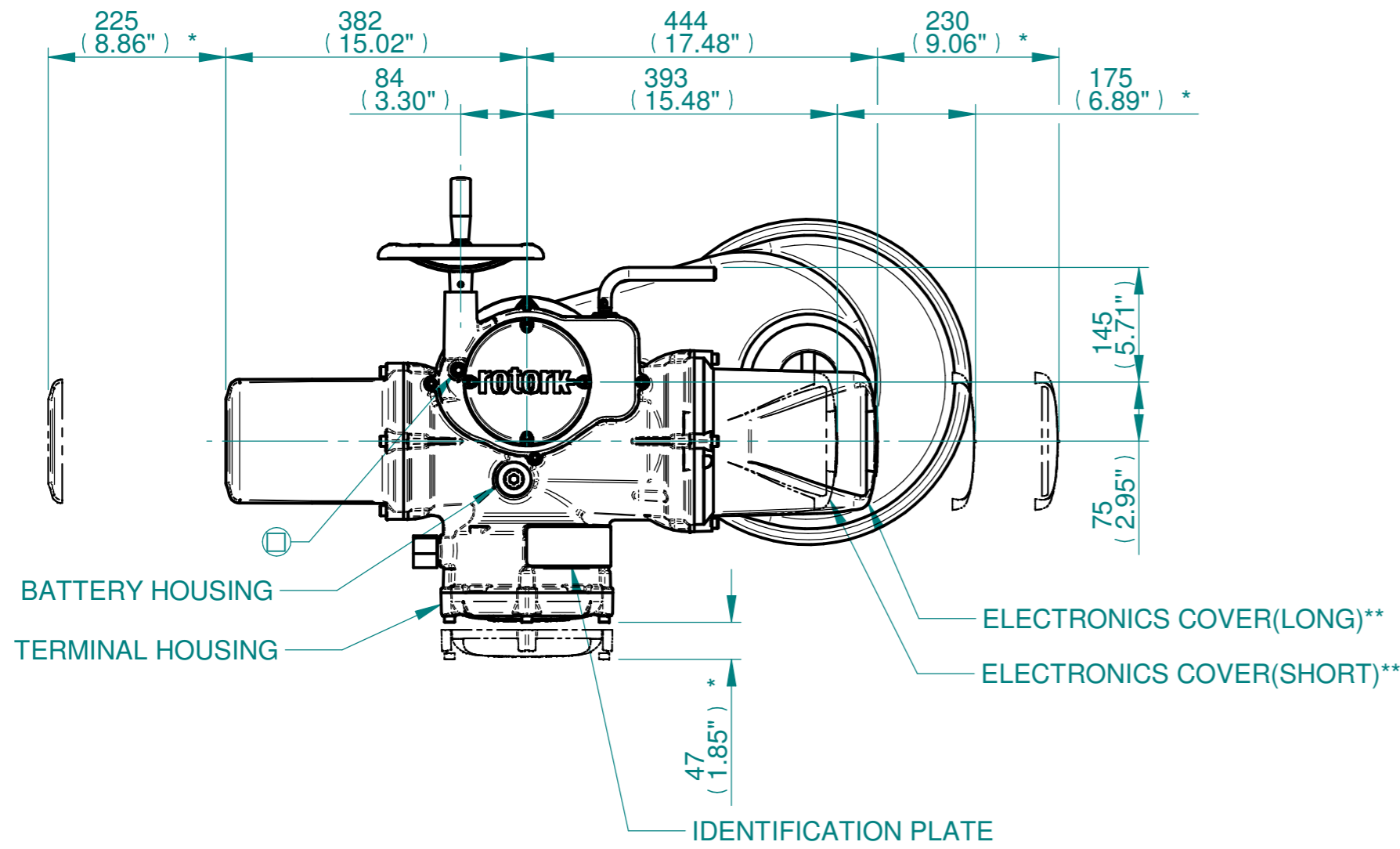
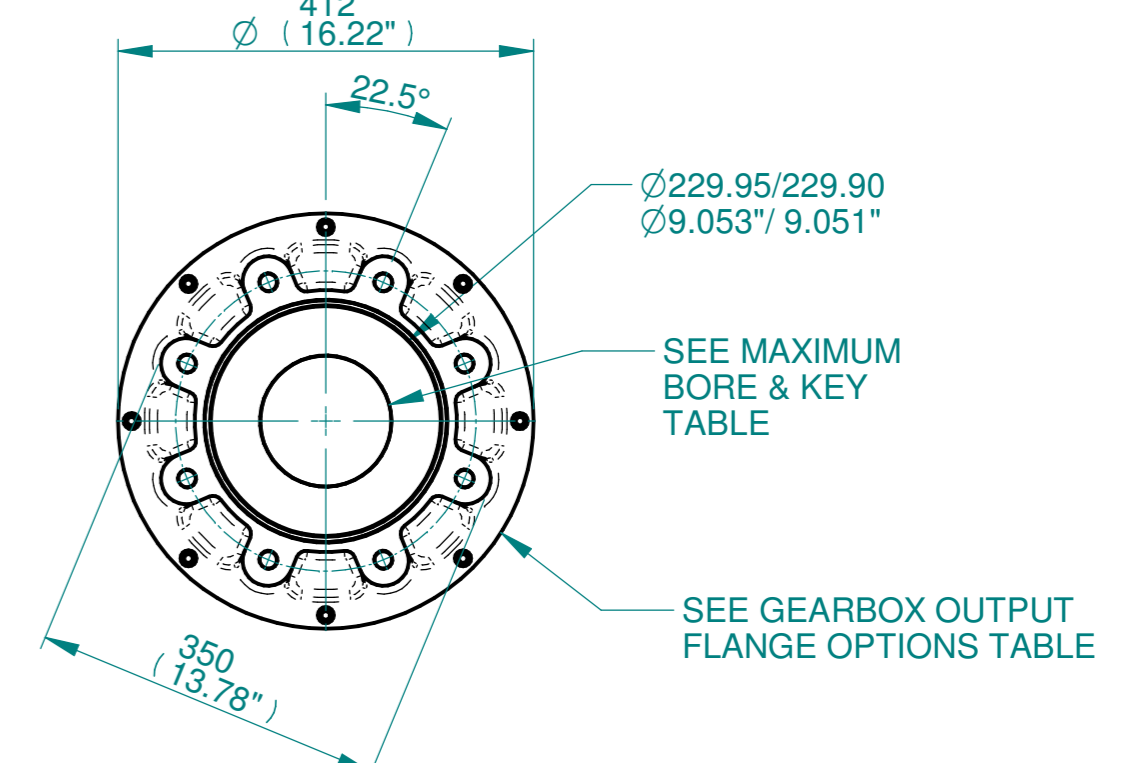
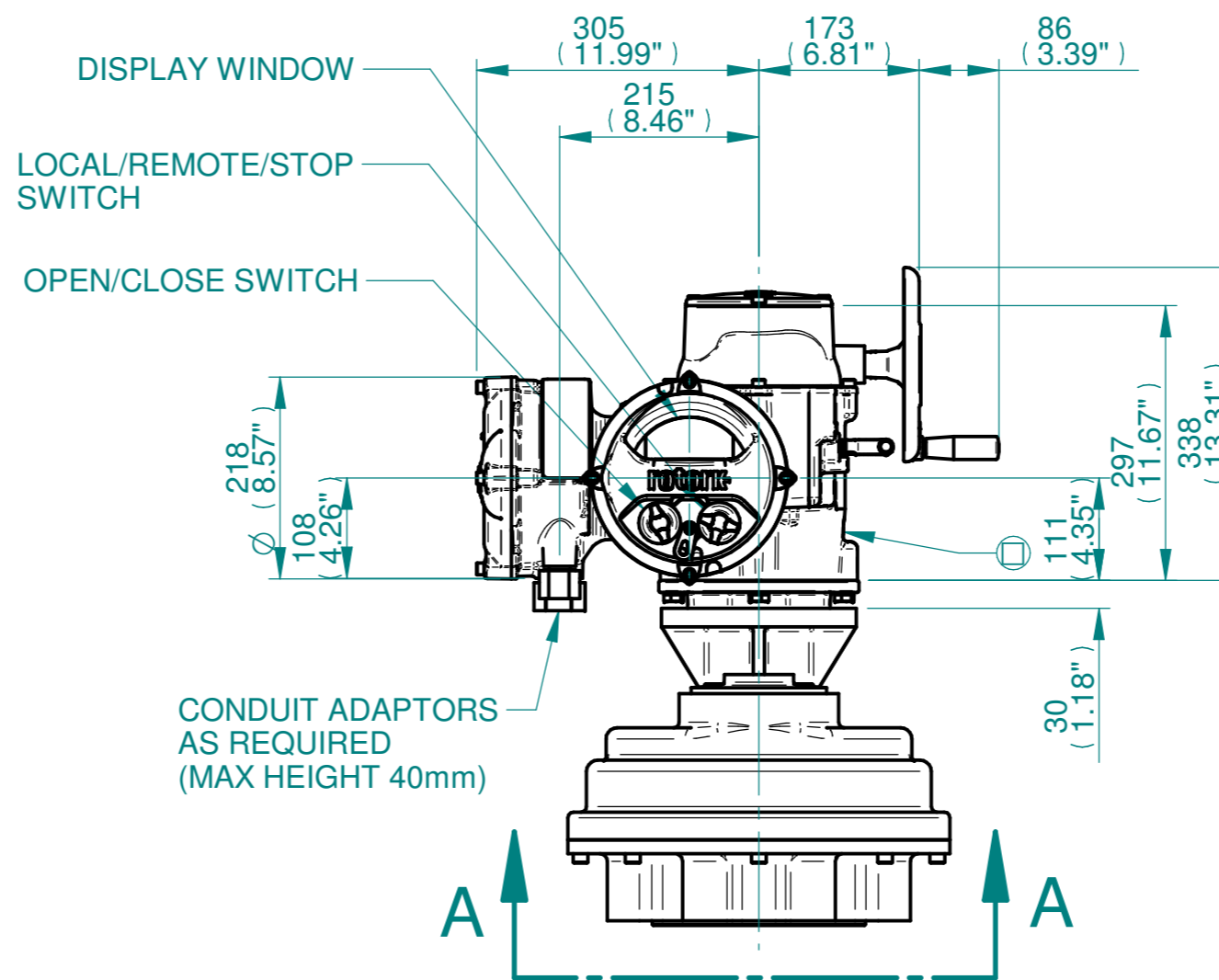
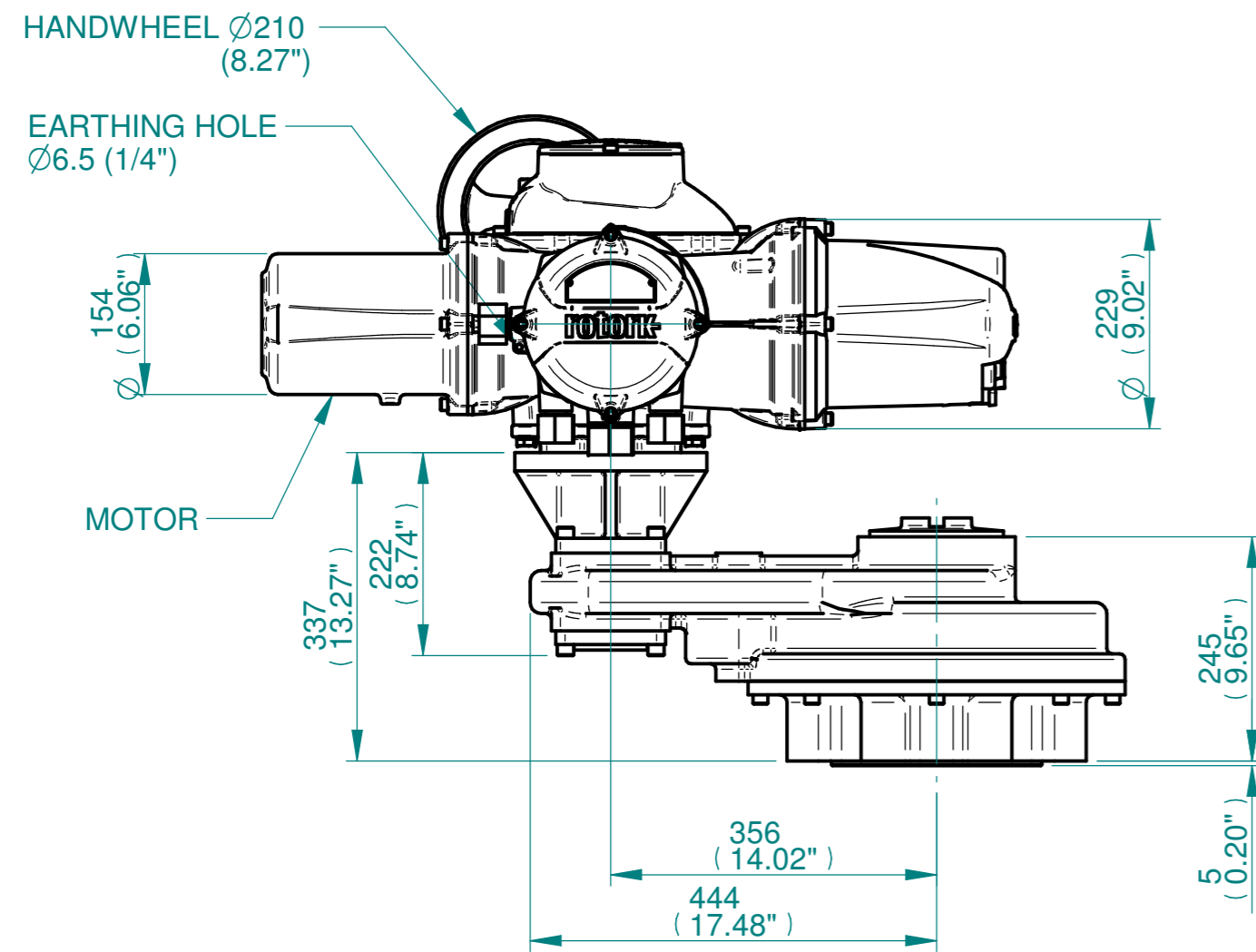


H  
G  
F  
E  
D  
C  
B  
A



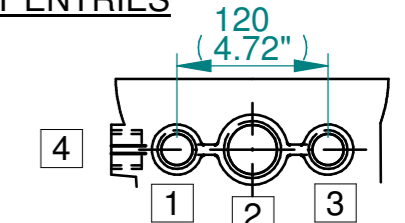
ISOMETRIC VIEW  
1:10



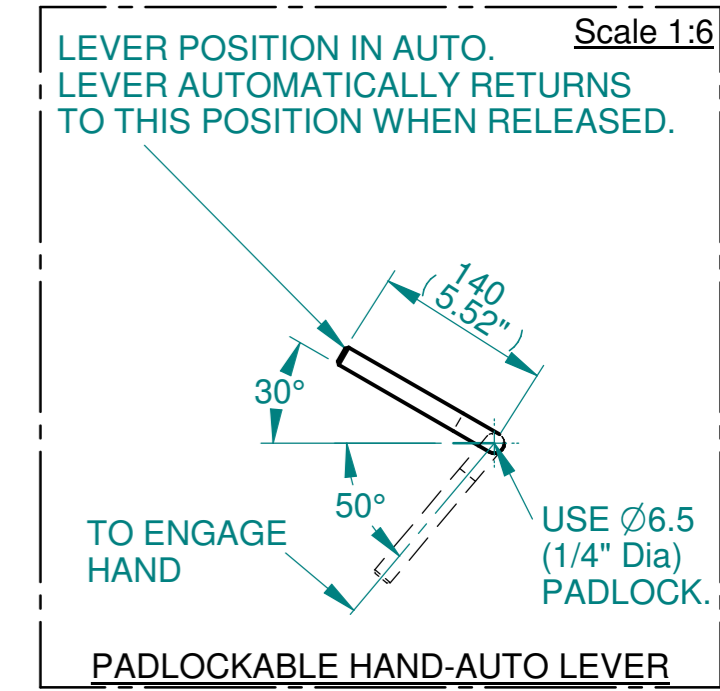
VIEW A-A

**NOTES:**  
:DIMENSIONS WITH "\*" INDICATE COVER REMOVAL ALLOWANCE  
:ELECTRONICS COVER OPTION "\*\*" WILL VARY DEPENDING ON CONFIGURATION  
:NETT WEIGHT = 192kg/423lbs  
: = OIL FILLER/DRAIN PLUG  
:THE INTERFACE PROVIDED FOR MOUNTING THE ACTUATOR OR SECOND STAGE GEARBOX ONTO THE VALVE SHOULD CONFORM TO GOOD ENGINEERING PRACTICES, ENSURING ADEQUATELY TOLERANCED LIMITS FOR PARALLELISM, PERPENDICULARITY AND CONCENTRICITY.  
:ROTORK CANNOT BE HELD LIABLE FOR DAMAGE TO OUR EQUIPMENT CAUSED BY EXCESSIVE LOADING FROM COVER TUBES. (SEE ALSO PUB000-124)

**CONDUIT ENTRIES**



|         | Hole 1      | Hole 2      | Hole 3      | Hole 4      |
|---------|-------------|-------------|-------------|-------------|
| Size    | As Required | As Required | As Required | As Required |
| Plugged | As Required | As Required | As Required | As Required |
| Gland   | As Required | As Required | As Required | As Required |



**rotork**  
www.rotork.com  
Rotork Controls Limited  
Bath, BA1 3JQ, England.  
Telephone 01225-733200

| Actuator Size: IQ35, IS11 |   | Gearbox output flange options |           |   |   |   |          |   |   | Maximum Bore & Key |                    |        |          |
|---------------------------|---|-------------------------------|-----------|---|---|---|----------|---|---|--------------------|--------------------|--------|----------|
| Title                     | IQ35, SIDE HANDWHEEL, IS11, F30, FA30, Ratios 4:1,6:1,8:1,10:1,12:1 15:1 Installation Details | Designation                   | F30       | - | - | - | FA30     | - | - | -                  | Key form           | Ø Bore | Key size |
| Drawn                     | DH  | No. Holes                     | 8         | - | - | - | 8        | - | - | -                  | Rectangle (BS4235) | 96     | 28 x 16  |
| Checked                   | JBA   | Hole size                     | M20       | - | - | - | 3/4" UNC | - | - | -                  | -                  | -      | -        |
| Date                      | FEB 19  | PCD                           | 298       | - | - | - | 11.73"   | - | - | -                  | -                  | -      | -        |
| Ref                       | SALES   | Project Ref                   | QUOTATION | - | - | - | -        | - | - | -                  | -                  | -      | -        |

3D Models are available in various formats under the same drawing number

| Issue                  | Description                      |
|------------------------|----------------------------------|
| 1                      | FIRST ISSUE                      |
| Scale: 1:7.5           |                                  |
| THIRD ANGLE PROJECTION |                                  |
| A21                    | Drawing Number Issue No Sheet No |
| I13SHWIS11STD          | 1 1 of 1                         |

1 2 3 4 5 6 7 8 9 10 11 12