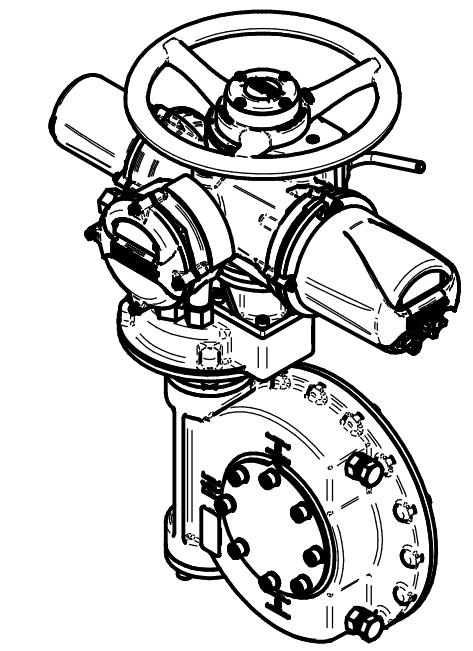
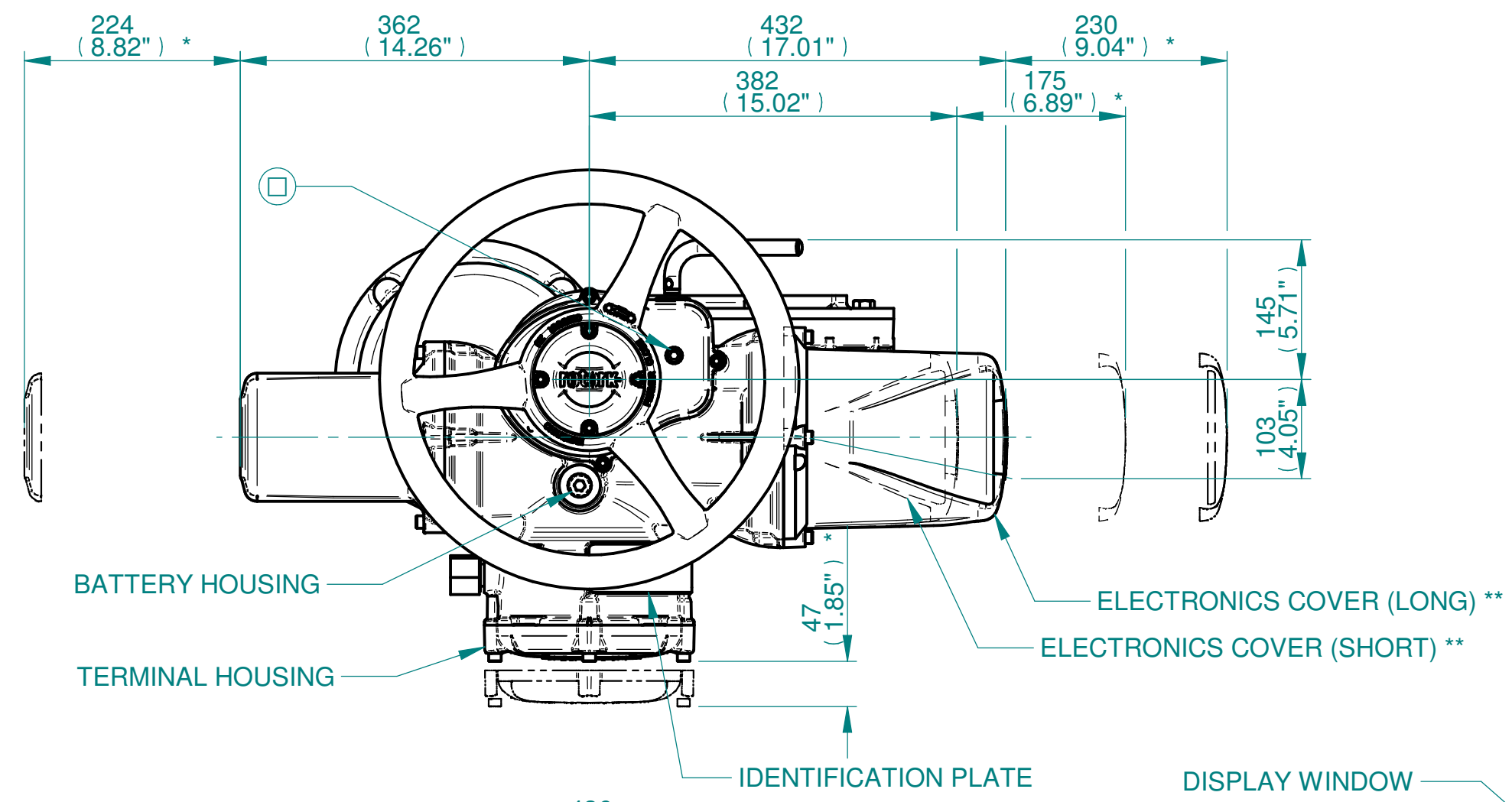



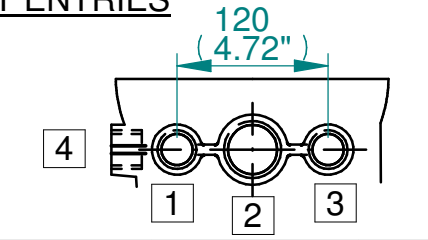
H
G
F
E
D
C
B
A



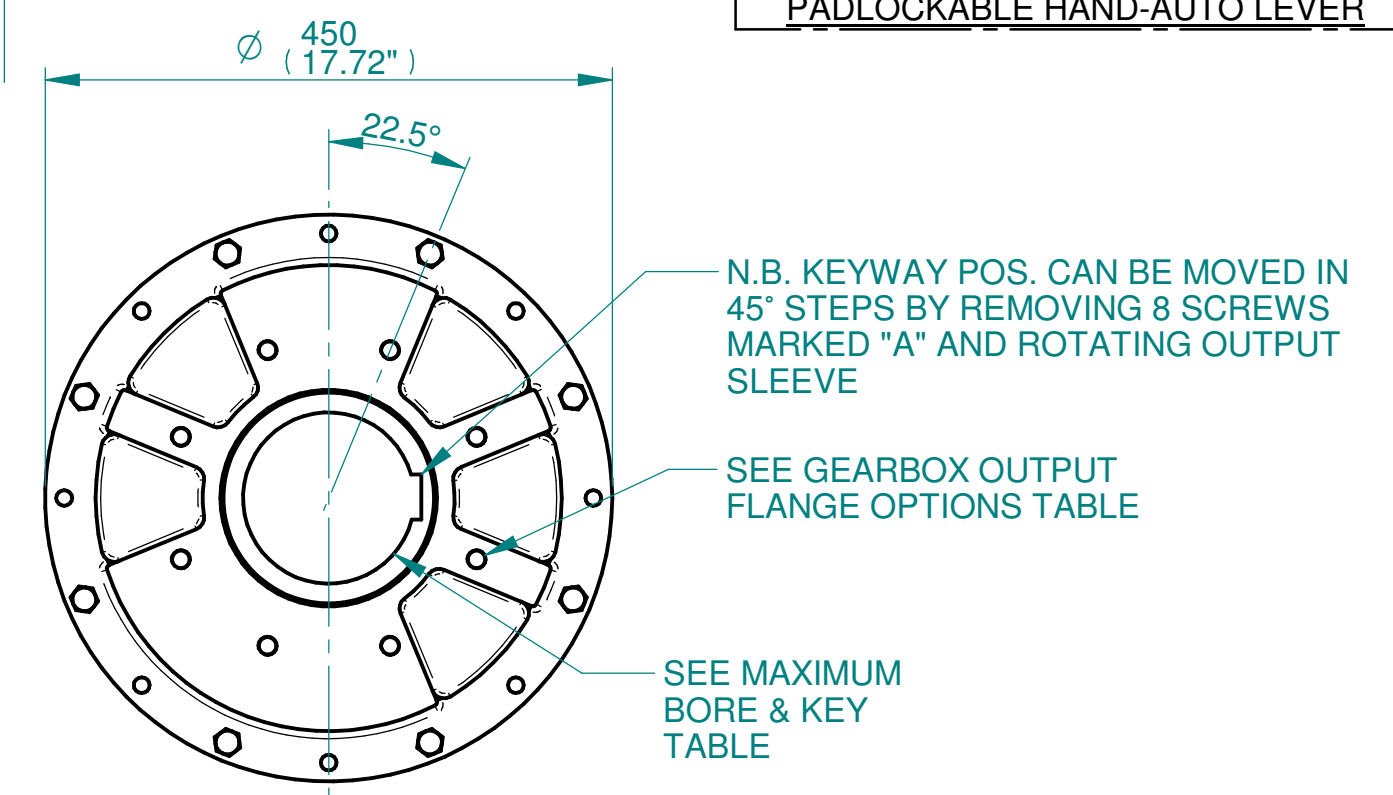
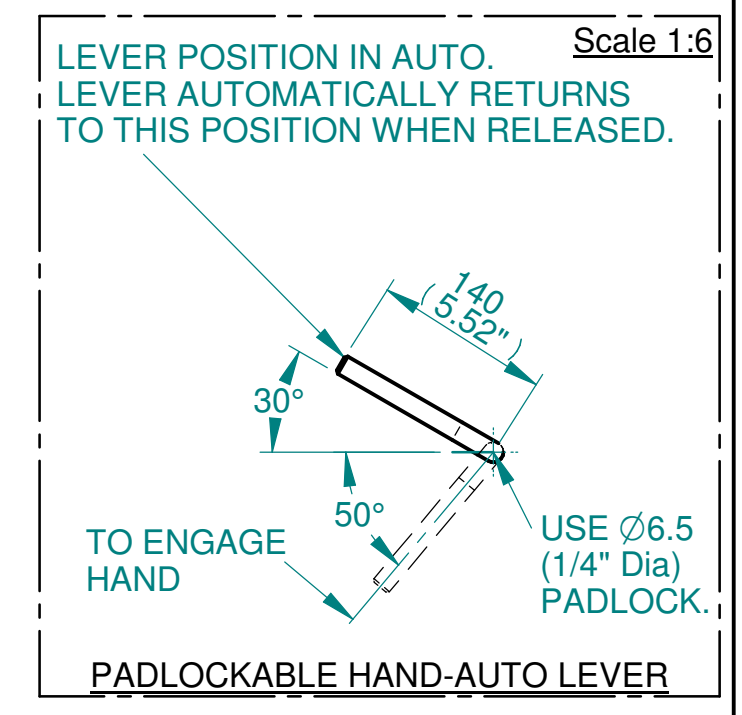
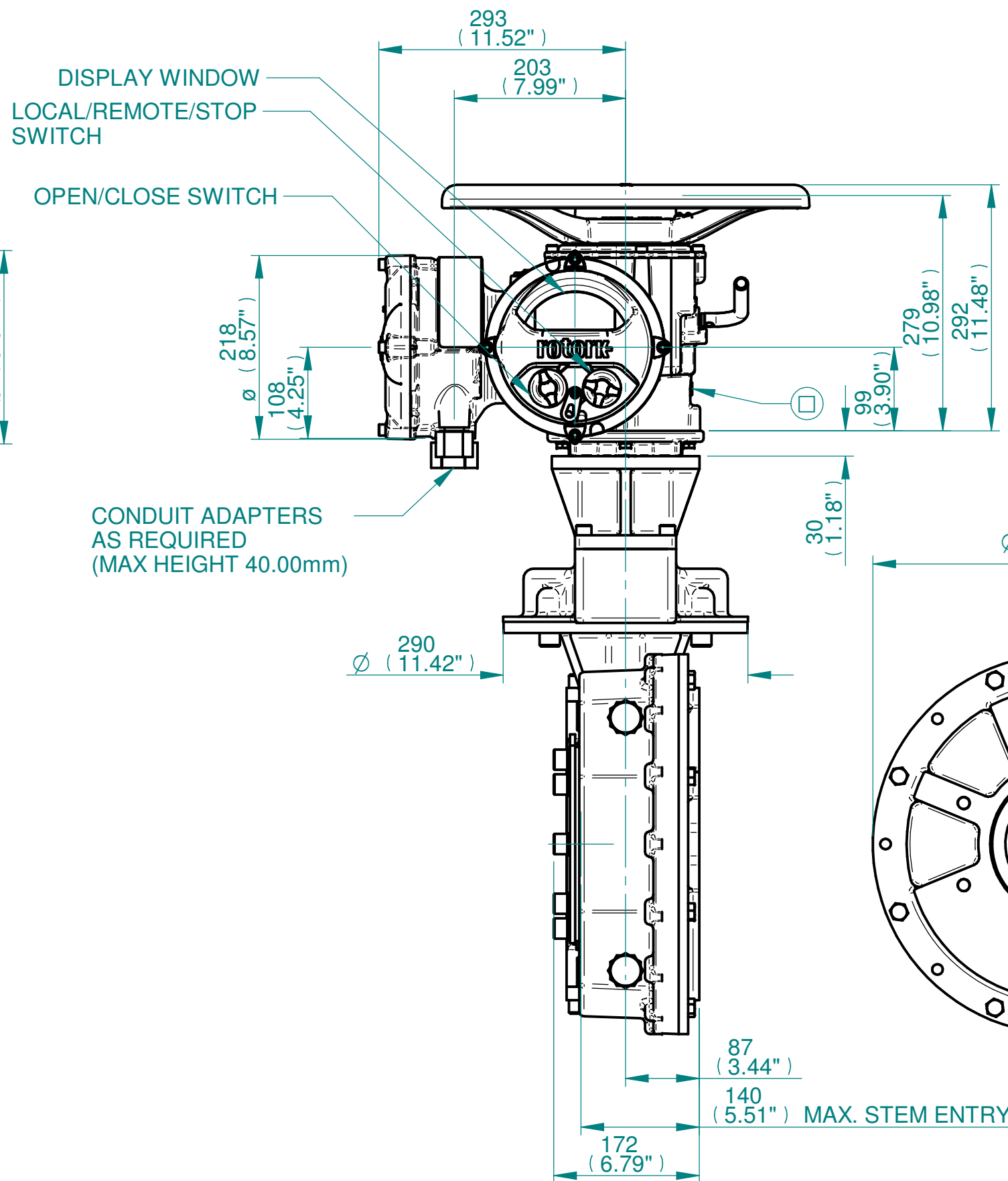
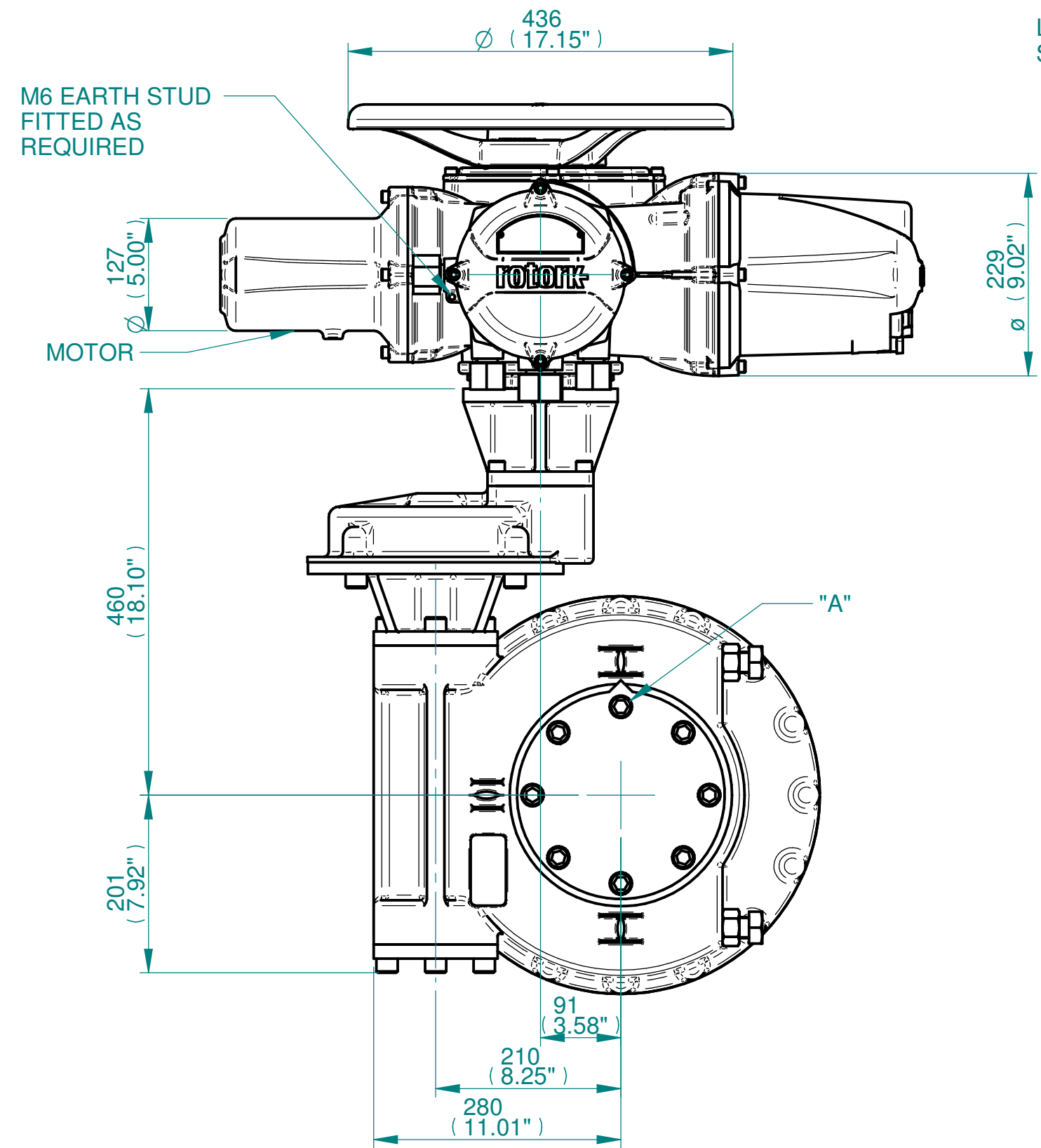
ISOMETRIC VIEW (SCALE 1:12)

NOTES:
 :DIMENSIONS WITH "*" INDICATE COVER REMOVAL ALLOWANCE
 :ELECTRONICS COVER OPTION "*" WILL VARY DEPENDING ON CONFIGURATION
 :NETT WEIGHT = 206kg/454lbs
 :  = OIL FILLER/DRAIN PLUG
 :THE INTERFACE PROVIDED FOR MOUNTING THE ACTUATOR OR SECOND STAGE GEARBOX ONTO THE VALVE SHOULD CONFORM TO GOOD ENGINEERING PRACTICES, ENSURING ADEQUATELY TOLERANCED LIMITS FOR PARALLELISM, PERPENDICULARITY AND CONCENTRICITY.
 :ROTORK CANNOT BE HELD LIABLE FOR DAMAGE TO OUR EQUIPMENT CAUSED BY EXCESSIVE LOADING FROM COVER TUBES. (SEE ALSO PUB000-124)

CONDUIT ENTRIES



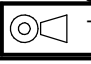
	Hole 1	Hole 2	Hole 3	Hole 4
Size	As Required	As Required	As Required	As Required
Plugged	As Required	As Required	As Required	As Required
Gland	As Required	As Required	As Required	As Required



3D Models are available in various formats under the same drawing number

Actuator Size: IQ 20/25 IW72RL/MOW72RL		Gearbox output flange options								Maximum Bore & Key		
Title IQ20/25, TOP HANDWHEEL, IW72RL/MOW72RL, F25/F30/FA25/FA30, Ratios 120:1 - 360:1 Installation Details Drawn TED Checked NJC Date 22-AUG-14 Ref SALES Project Ref QUOTATION	Designation	F25	F30	-	-	FA25	FA30	-	-	Key form	Ø Bore	Key size
	No. Holes	8	8	-	-	8	8	-	-	Rectangle (BS4235)	136	36 X 20
	Hole size	M16	M20	-	-	5/8" UNC	3/4" UNC	-	-	Rectangle (ANSI B17.1)	5-1/4"	1-1/4 X 7/8"
	PCD	254	298	-	-	10"	11-3/4"	-	-	Square (ANSI B17.1)	4-7/8"	1-1/4" SQ

Issue	Description
3	F14 Base change

Scale: 1:6  THIRD ANGLE PROJECTION

Drawing Number	Issue No	Sheet No
I12THWIW72RLSTD	3	1 of 1

rotork
 www.rotork.com
 Rotork Controls Limited
 Bath, BA1 3JQ, England.
 Telephone 01225-733200

1 2 3 4 5 6 7 8 9 10 11 12