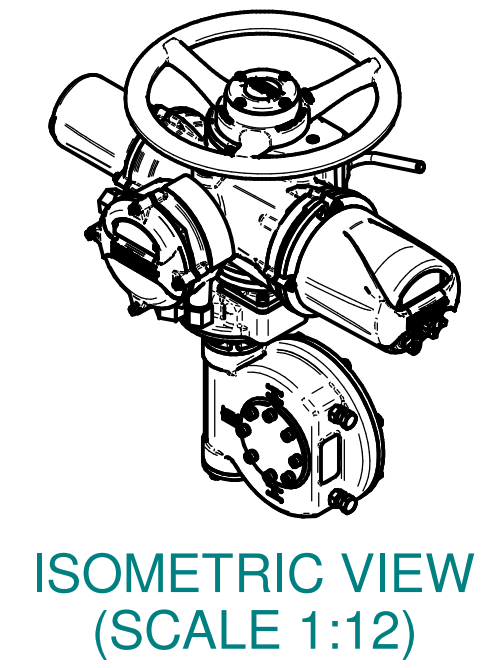
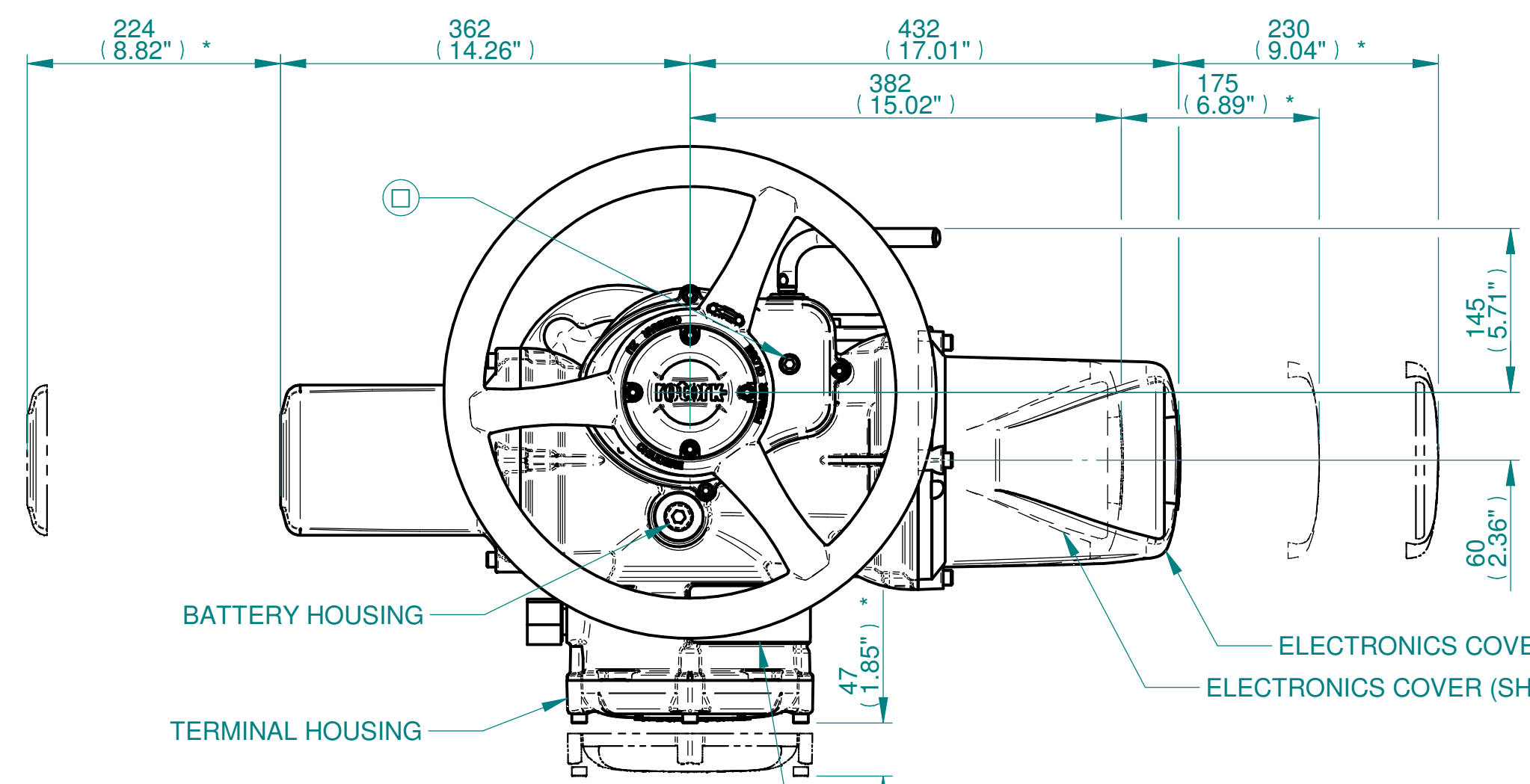
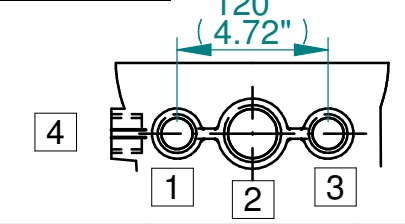


H  
G  
F  
E  
D  
C  
B  
A

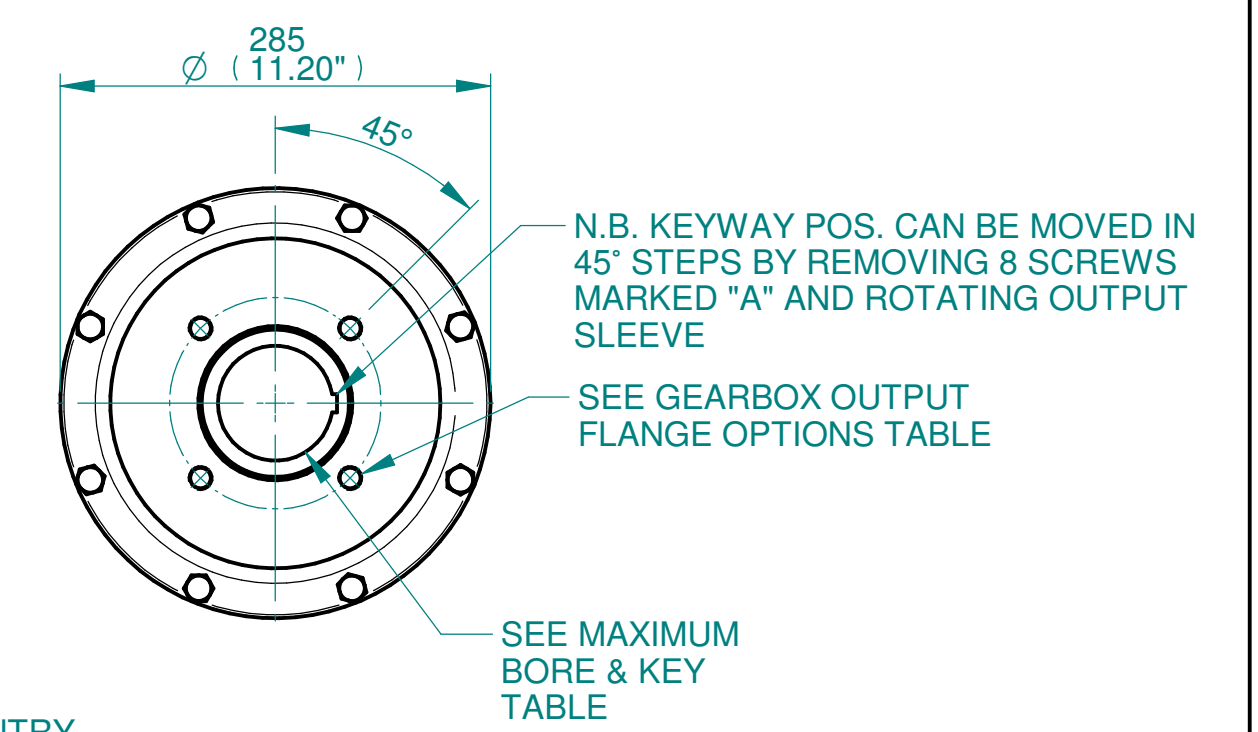
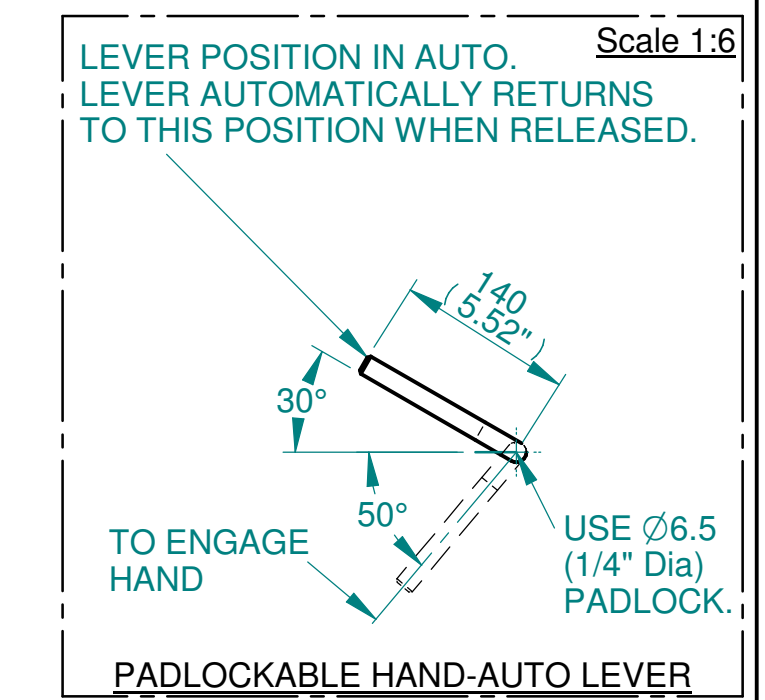
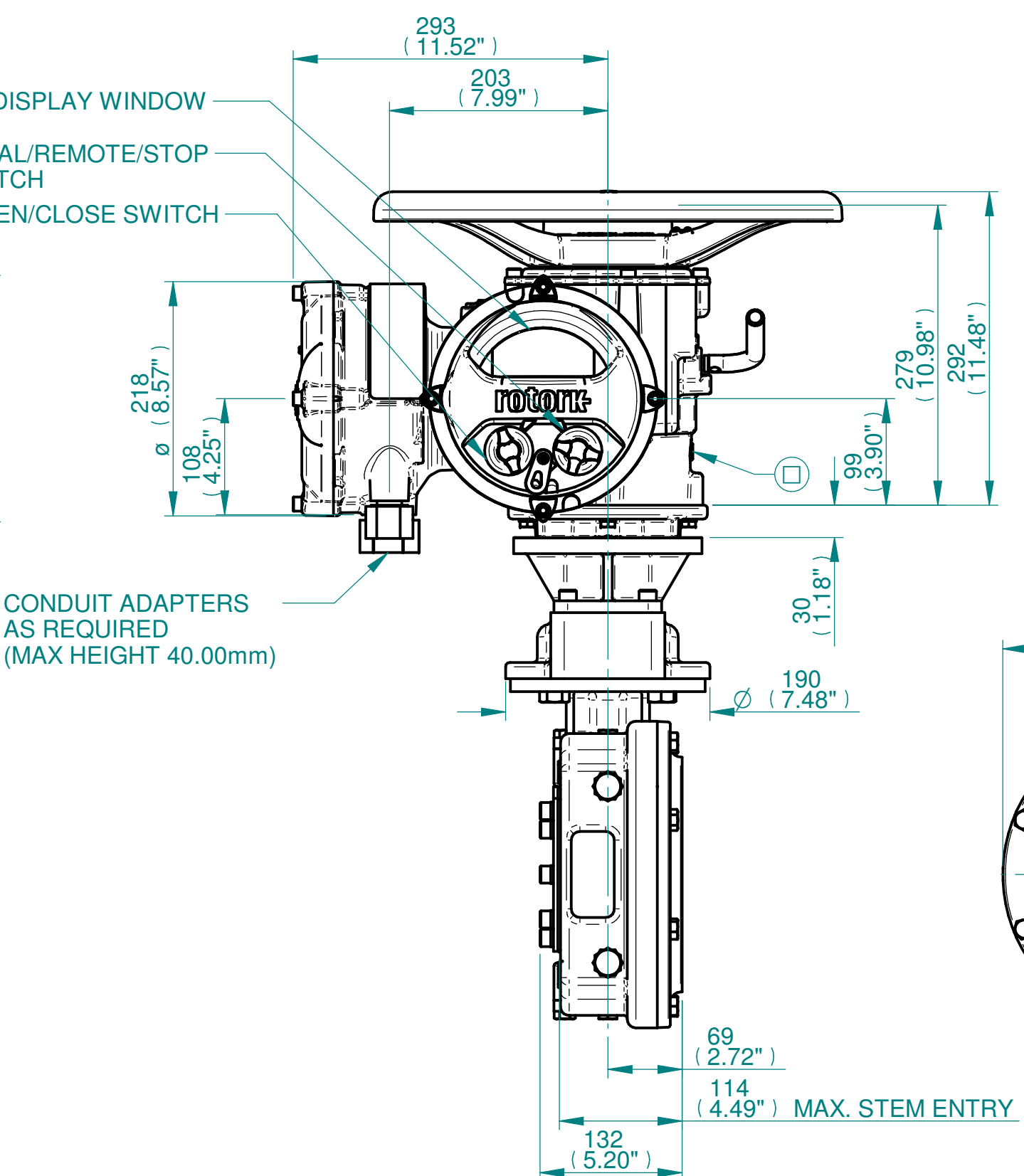
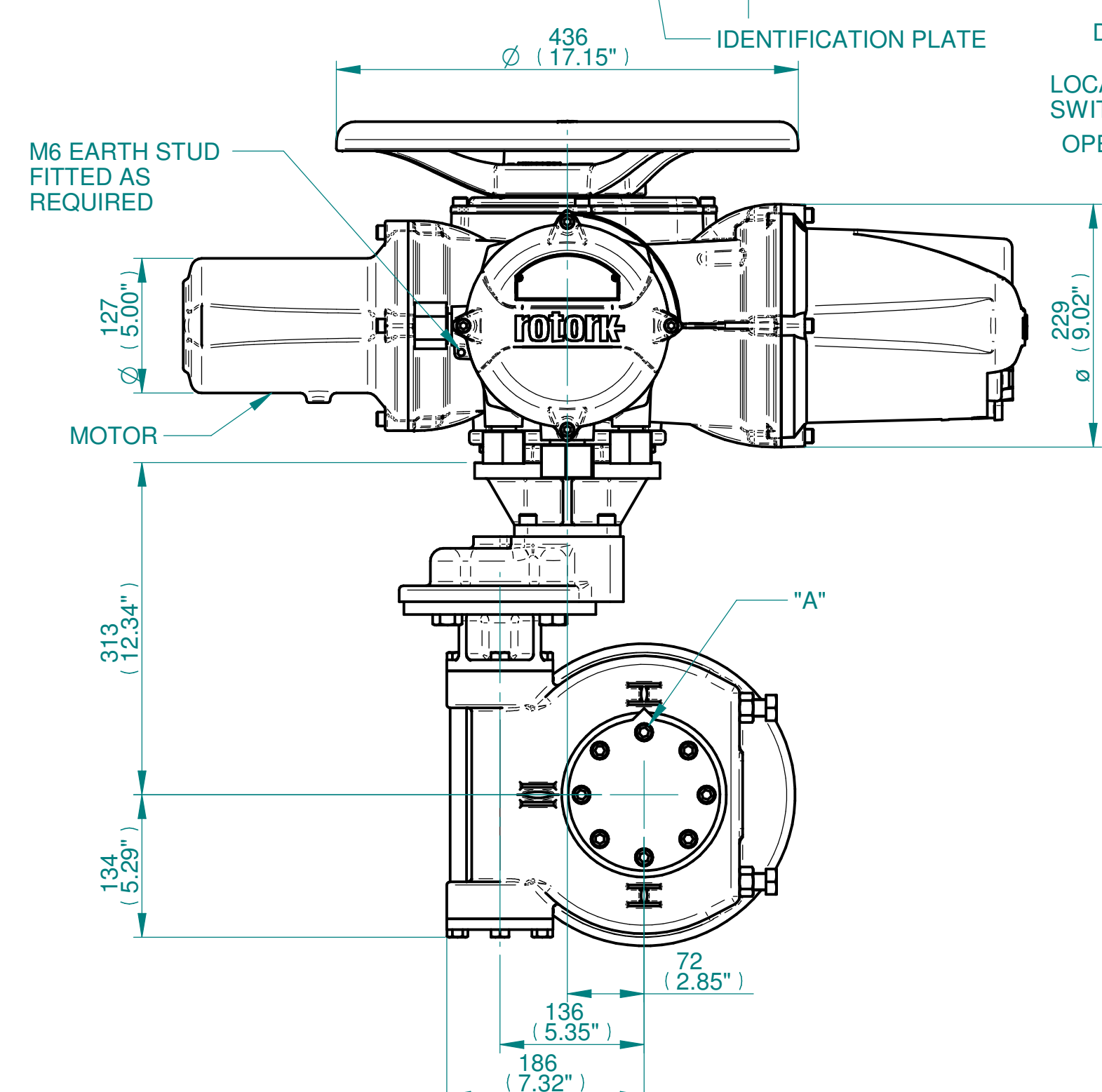


**NOTES:**  
 :DIMENSIONS WITH "\*" INDICATE COVER REMOVAL ALLOWANCE  
 :ELECTRONICS COVER OPTION "\*" WILL VARY DEPENDING ON CONFIGURATION  
 :NETT WEIGHT = 101kg/223lbs  
 : = OIL FILLER/DRAIN PLUG  
 :THE INTERFACE PROVIDED FOR MOUNTING THE ACTUATOR OR SECOND STAGE GEARBOX ONTO THE VALVE SHOULD CONFORM TO GOOD ENGINEERING PRACTICES, ENSURING ADEQUATELY TOLERANCED LIMITS FOR PARALLELISM, PERPENDICULARITY AND CONCENTRICITY.  
 :ROTORK CANNOT BE HELD LIABLE FOR DAMAGE TO OUR EQUIPMENT CAUSED BY EXCESSIVE LOADING FROM COVER TUBES. (SEE ALSO PUB000-124)

**CONDUIT ENTRIES**



	Hole 1	Hole 2	Hole 3	Hole 4
Size	As Required	As Required	As Required	As Required
Plugged	As Required	As Required	As Required	As Required
Gland	As Required	As Required	As Required	As Required



3D Models are available in various formats under the same drawing number



Actuator Size: IQ 20/25 IW5,52 & 56RL/MOW5RL		Gearbox output flange options								Maximum Bore & Key			
Title	IQ20/25, TOP HANDWHEEL, IW5RL / IW52RL / IW56RL / MOW5RL, F/FA 14 & 16, Ratios 80 - 280:1 Installation Details	Designation	F14	F16	-	-	FA14	FA16	-	-	Key form	Ø Bore	Key size
Drawn	TED	No. Holes	4	4	-	-	4	4	-	-	Rectangle (BS4235)	76	22 x 14
Checked	NJC	Hole size	M16	M20	-	-	5/8" UNC	3/4" UNC	-	-	Rectangle (ANSI B17.1)	3"	3/4 x 1/2"
Date	22-AUG-14	PCD	140	165	-	-	5.5"	6.5"	-	-	Square (ANSI B17.1)	2-3/4"	5/8"SQ
Ref	SALES	Project Ref	QUOTATION										

Issue	Description
4	OUTPUT FLANGE CHANGE
Scale: 1:5	
THIRD ANGLE PROJECTION	
A2	Drawing Number Issue No Sheet No
I12THWIW5RLSTD	4 1 of 1

1 2 3 4 5 6 7 8 9 10 11 12