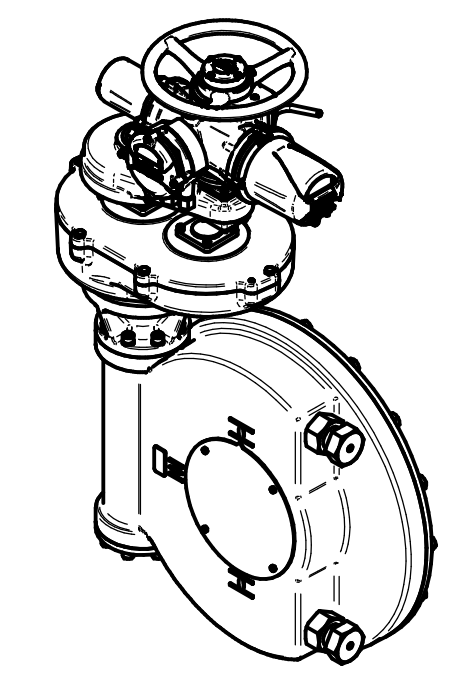
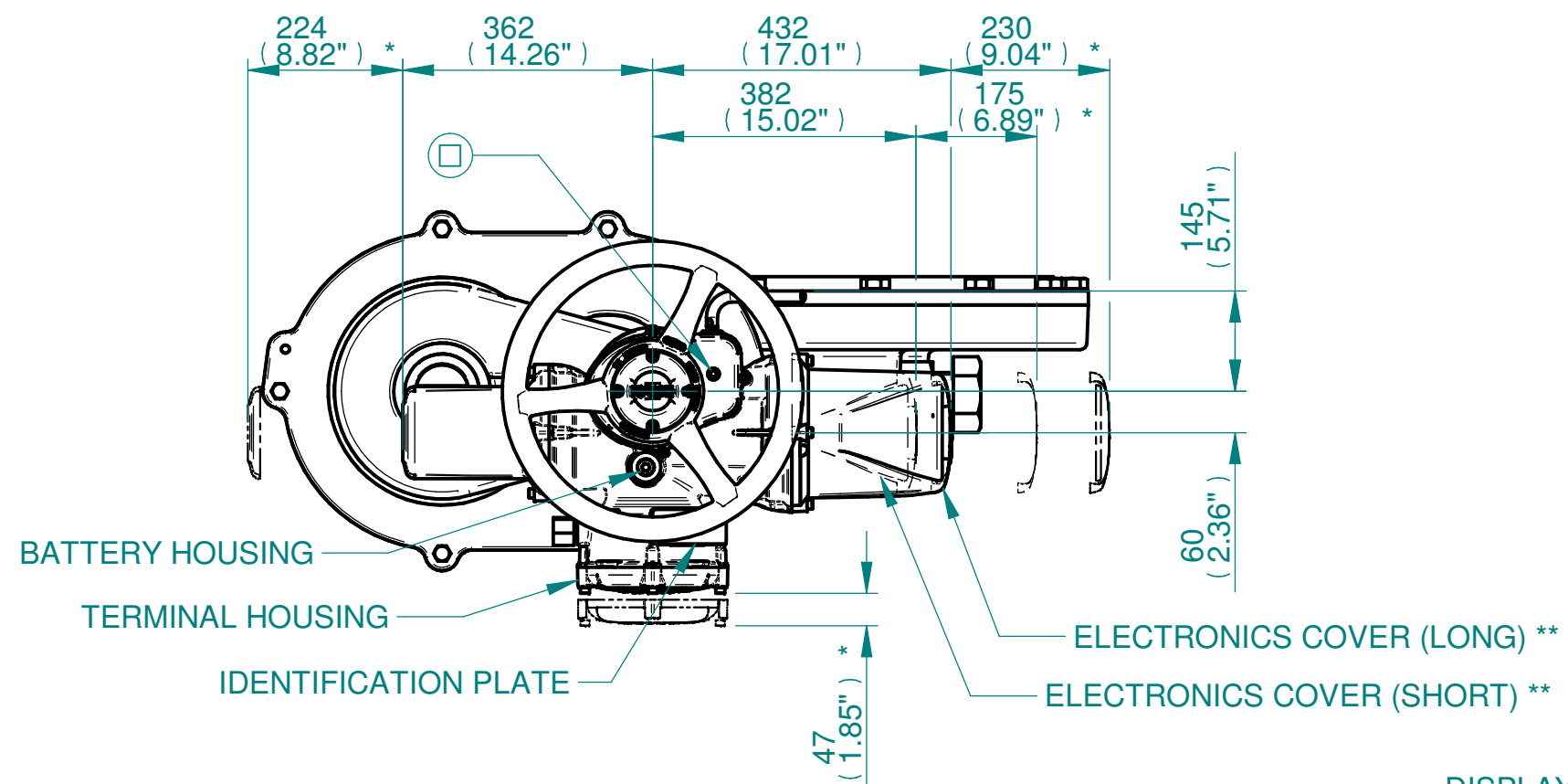


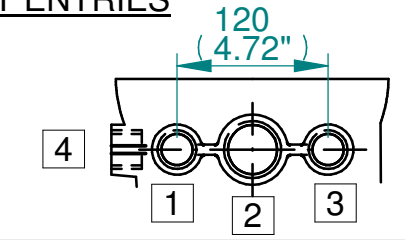
H  
G  
F  
E  
D  
C  
B  
A



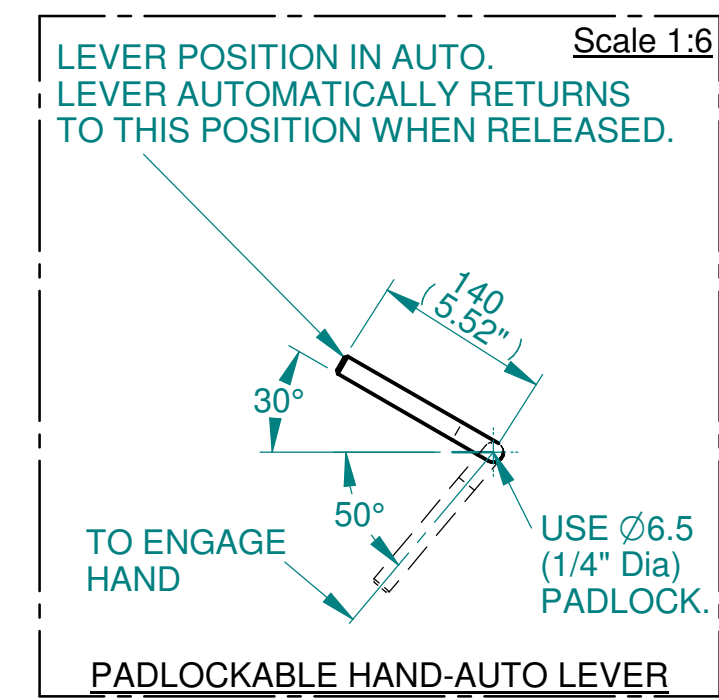
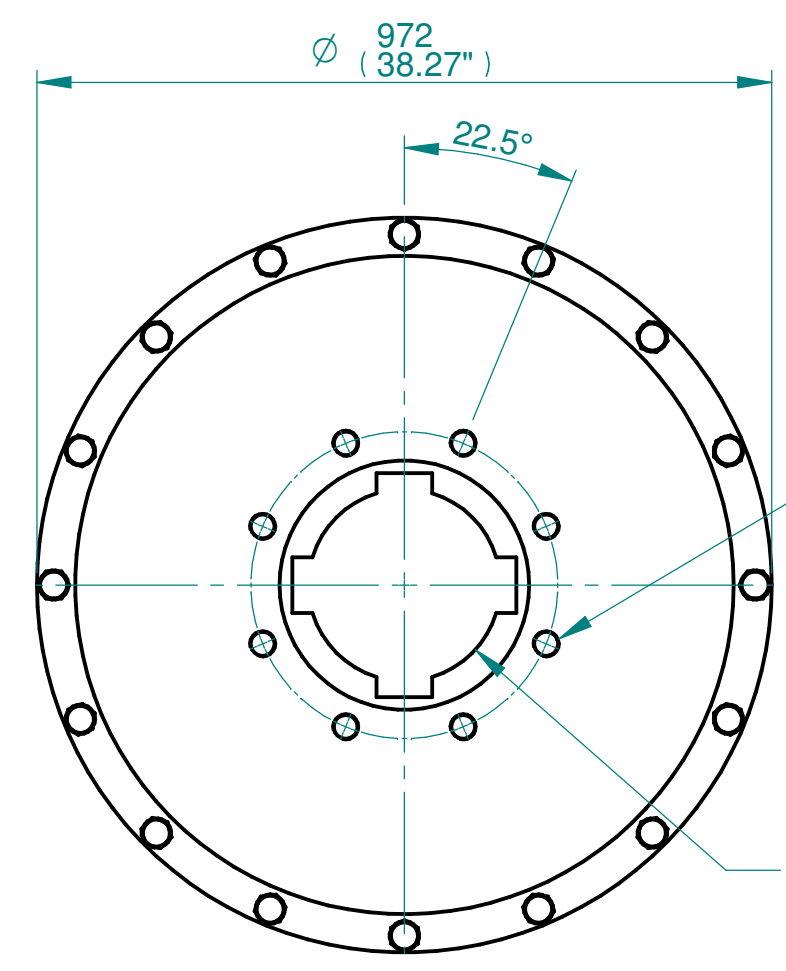
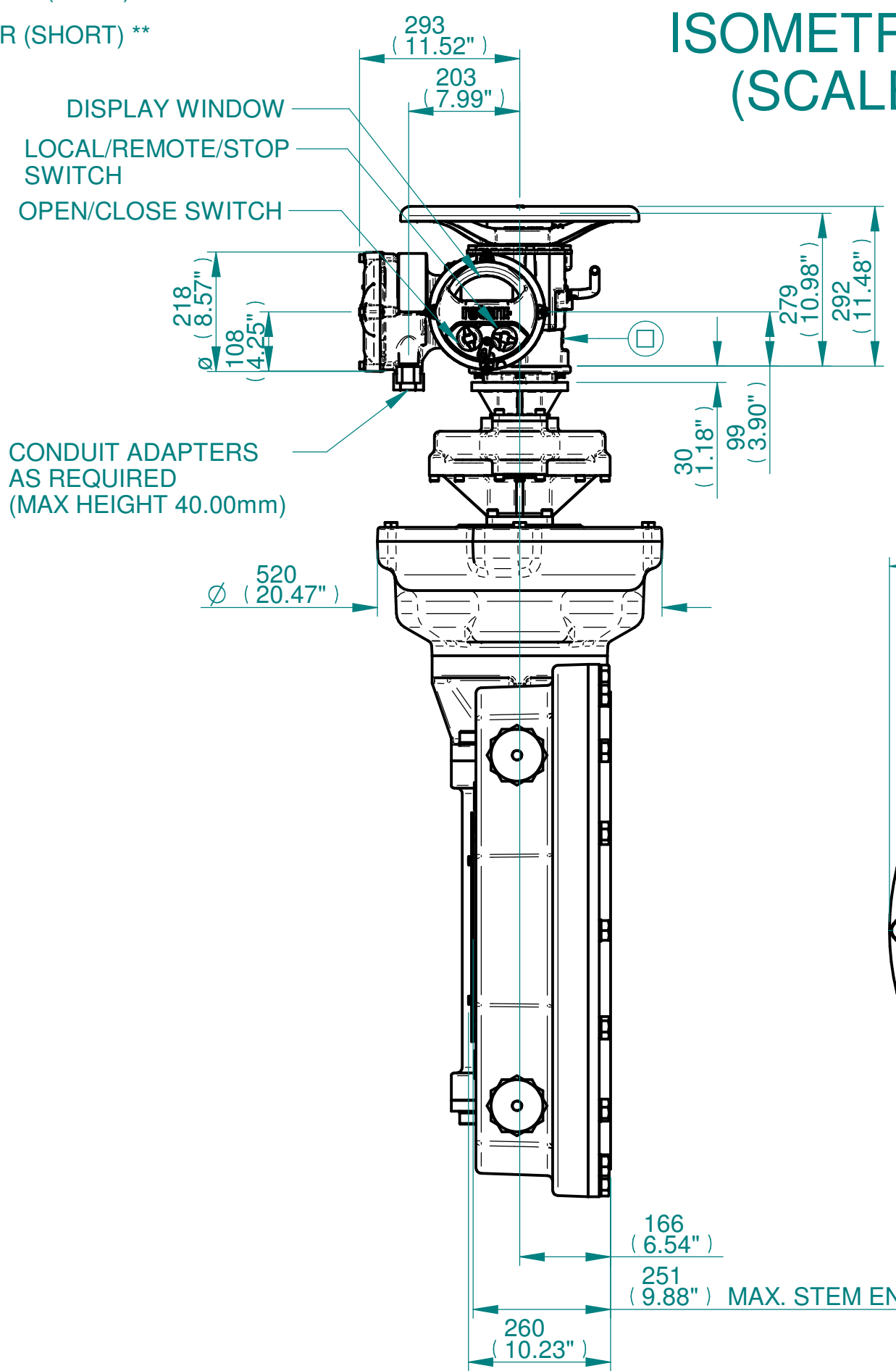
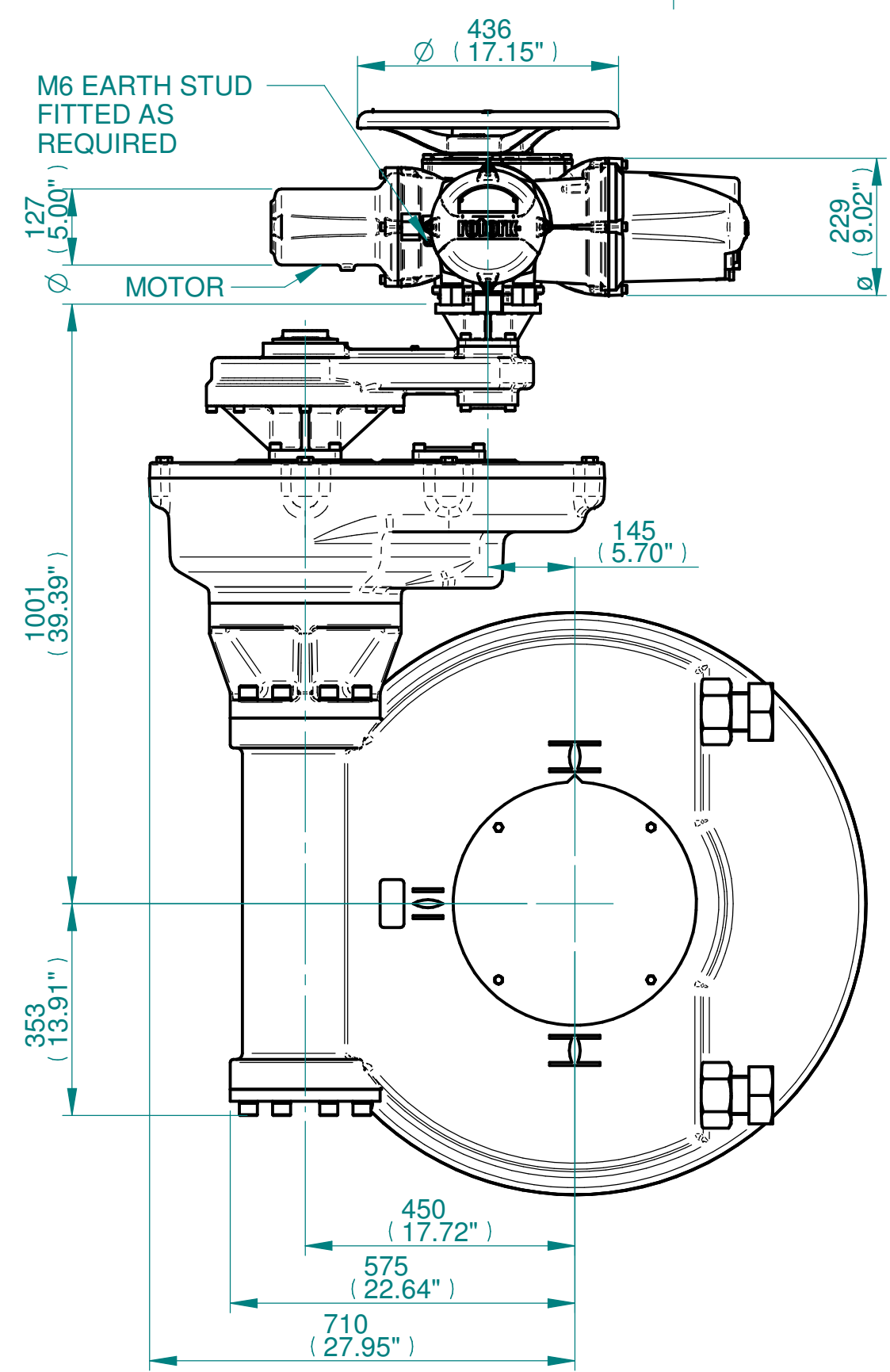
ISOMETRIC VIEW  
(SCALE 1:20)

**NOTES:**  
 :DIMENSIONS WITH "\*" INDICATE COVER REMOVAL ALLOWANCE  
 :ELECTRONICS COVER OPTION "\*\*\*\*" WILL VARY DEPENDING ON CONFIGURATION  
 :NETT WEIGHT = 1234kg/2721lbs  
 : = OIL FILLER/DRAIN PLUG  
 :THE INTERFACE PROVIDED FOR MOUNTING THE ACTUATOR OR SECOND STAGE GEARBOX ONTO THE VALVE SHOULD CONFORM TO GOOD ENGINEERING PRACTICES, ENSURING ADEQUATELY TOLERANCED LIMITS FOR PARALLELISM, PERPENDICULARITY AND CONCENTRICITY.  
 :ROTORK CANNOT BE HELD LIABLE FOR DAMAGE TO OUR EQUIPMENT CAUSED BY EXCESSIVE LOADING FROM COVER TUBES. (SEE ALSO PUB000-124)

CONDUIT ENTRIES



	Hole 1	Hole 2	Hole 3	Hole 4
Size	As Required	As Required	As Required	As Required
Plugged	As Required	As Required	As Required	As Required
Gland	As Required	As Required	As Required	As Required



3D Models are available in various formats under the same drawing number

**rotork**  
www.rotork.com  
Rotork Controls Limited  
Bath, BA1 3JQ, England.  
Telephone 01225-733200

Actuator Size: IQ 20/25 IW13IR4AS5		Gearbox output flange options								Maximum Bore & Key					
Title	IQ20/25, TOP HANDWHEEL, IW13IR4AS5, F/FA35, 40, 48 & 60, Ratios 1210 - 6720:1 Installation Details	Designation	F35	F40	F48	F60	FA35	FA40	FA48	FA60	Key form	Ø Bore	Key size		
Drawn	TED	Checked	NJC	Date	22-AUG-14	No. Holes	8	8	12 NOT SHOWN	20 NOT SHOWN	Rectangle (BS4235)	272	70 X 36		
Ref	SALES	Project Ref	QUOTATION	Hole size	M30	M36	M36	M36	1" UNC	1-1/4" UNC	1-1/4" UNC	1-1/4" UNC	Rectangle (ANSI B17.1)	10-1/4"	2-1/2 X 1-3/4"
PCD					356	406	483	603	14"	16"	19"	23.75"	Square (ANSI B17.1)	9-1/2"	2-1/2" SQ

Issue	Description
4	OUTPUT FLANGE CHANGE
Scale: 1:10	
THIRD ANGLE PROJECTION	
A2	Drawing Number Issue No Sheet No
I12THWIW13IR4AS5STD	4 1 of 1

1 2 3 4 5 6 7 8 9 10 11 12