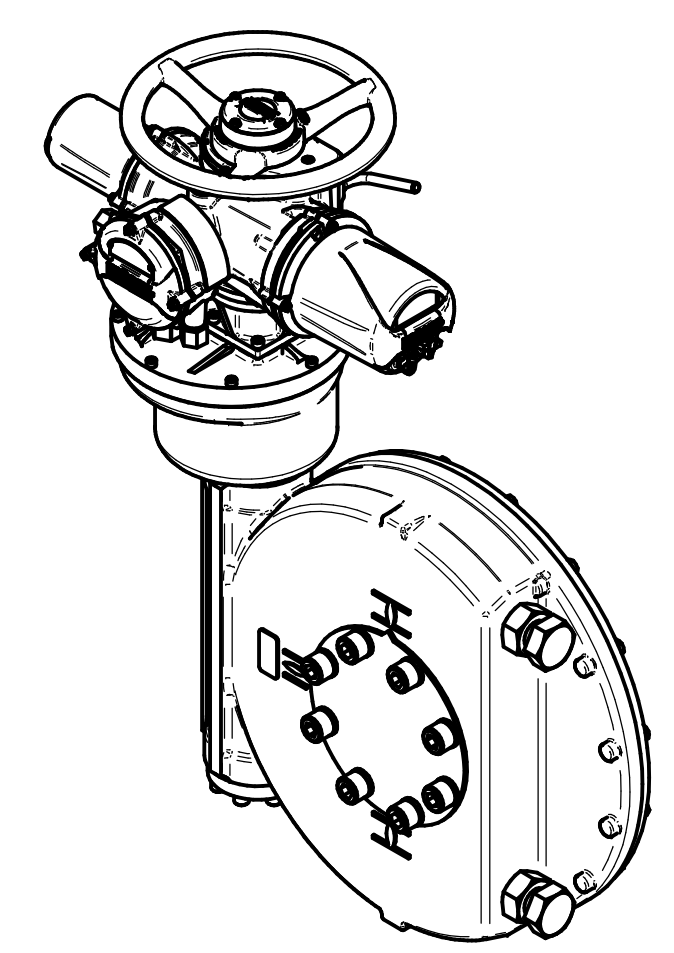
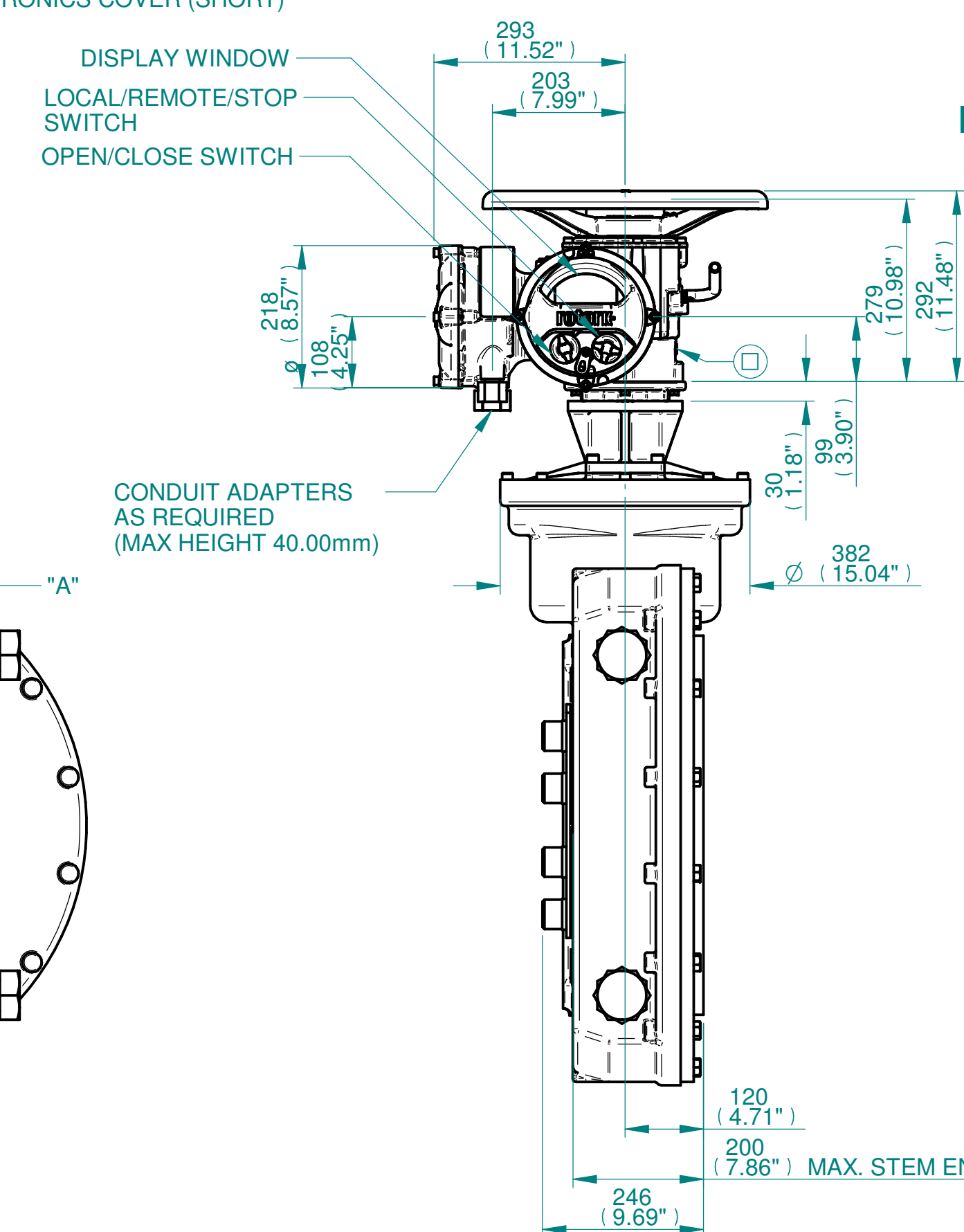
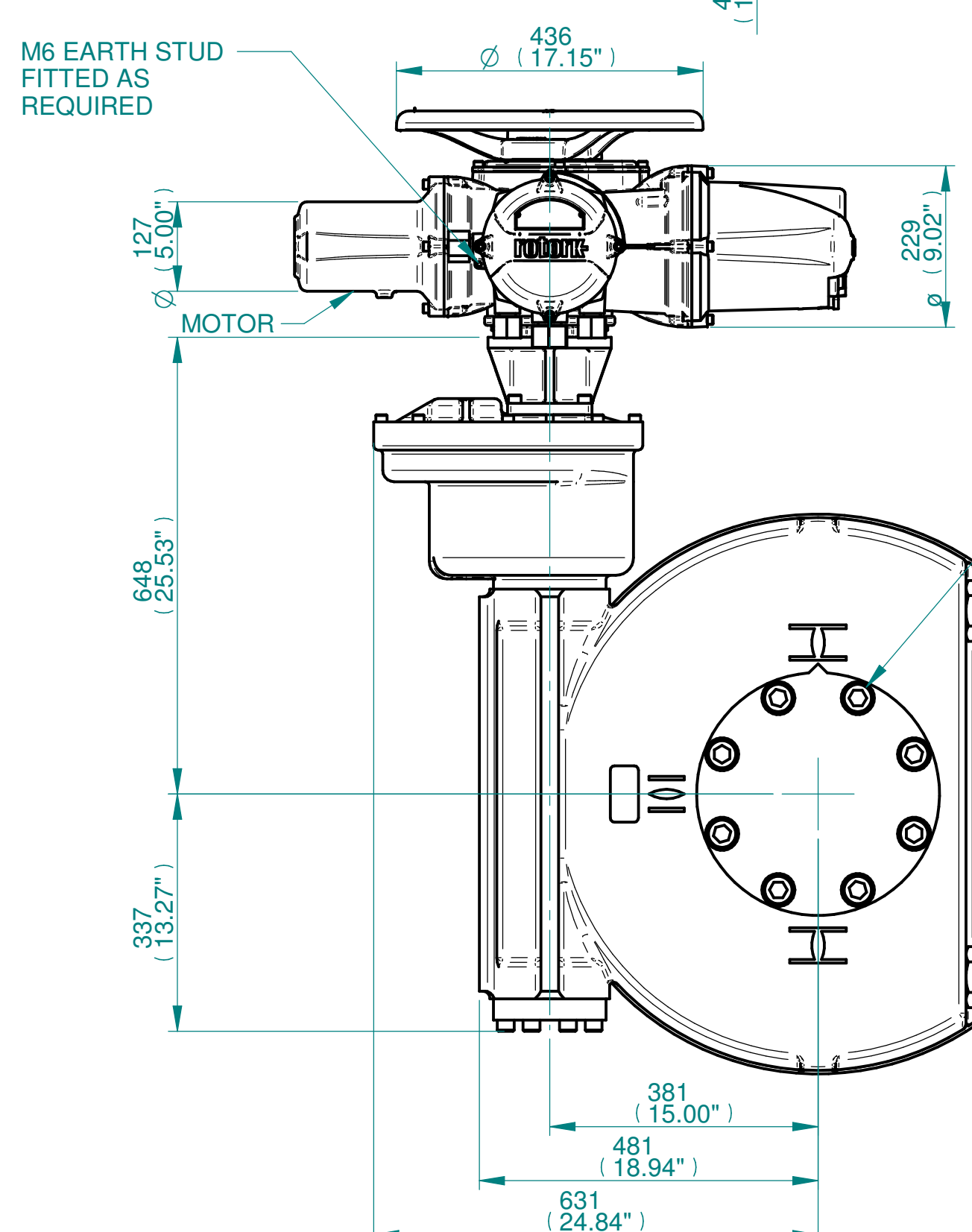
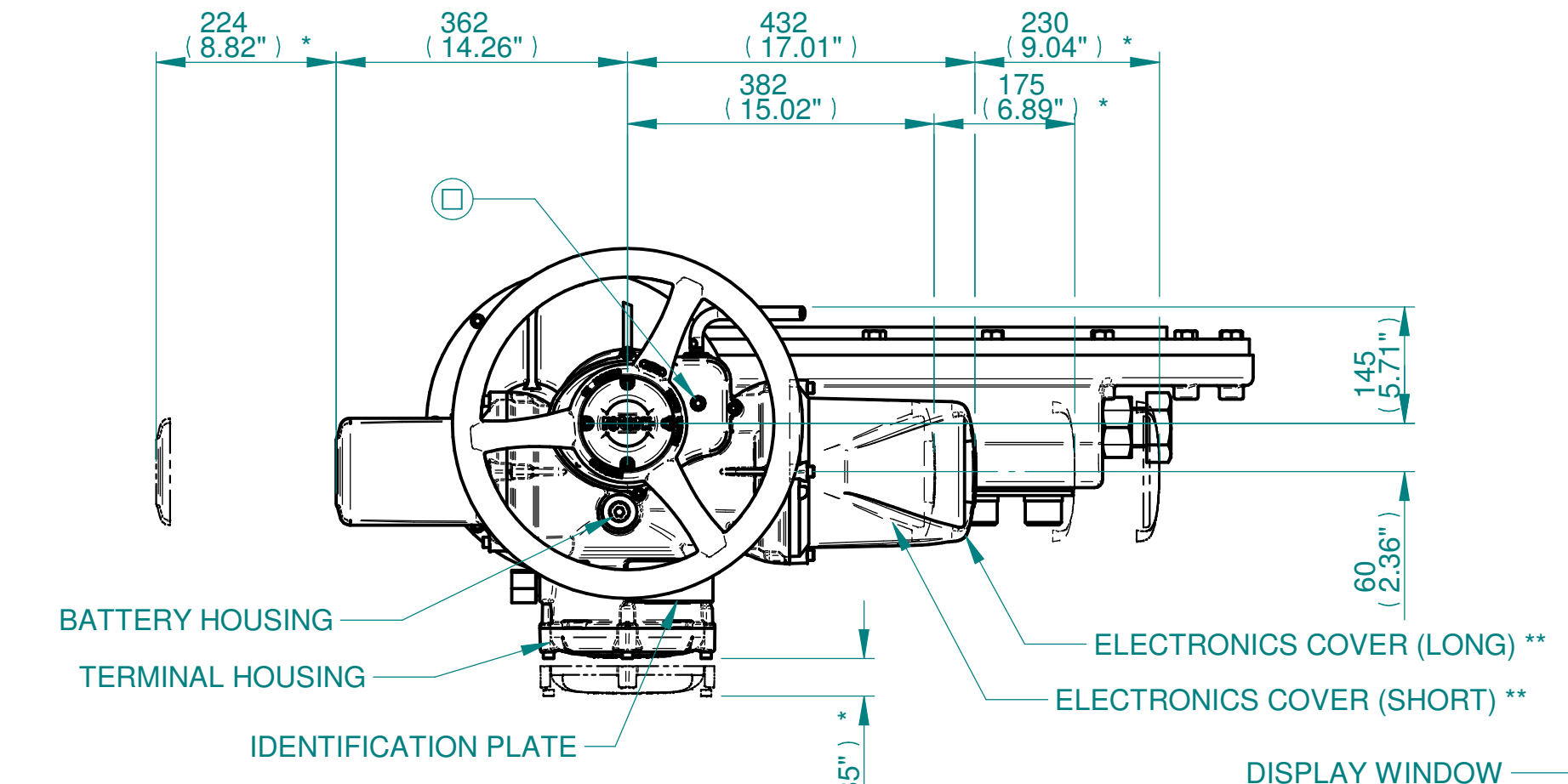
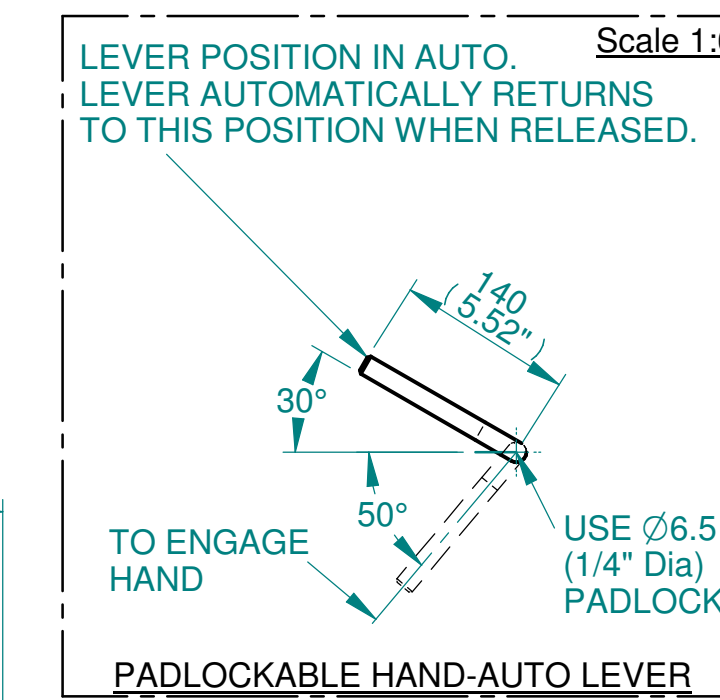
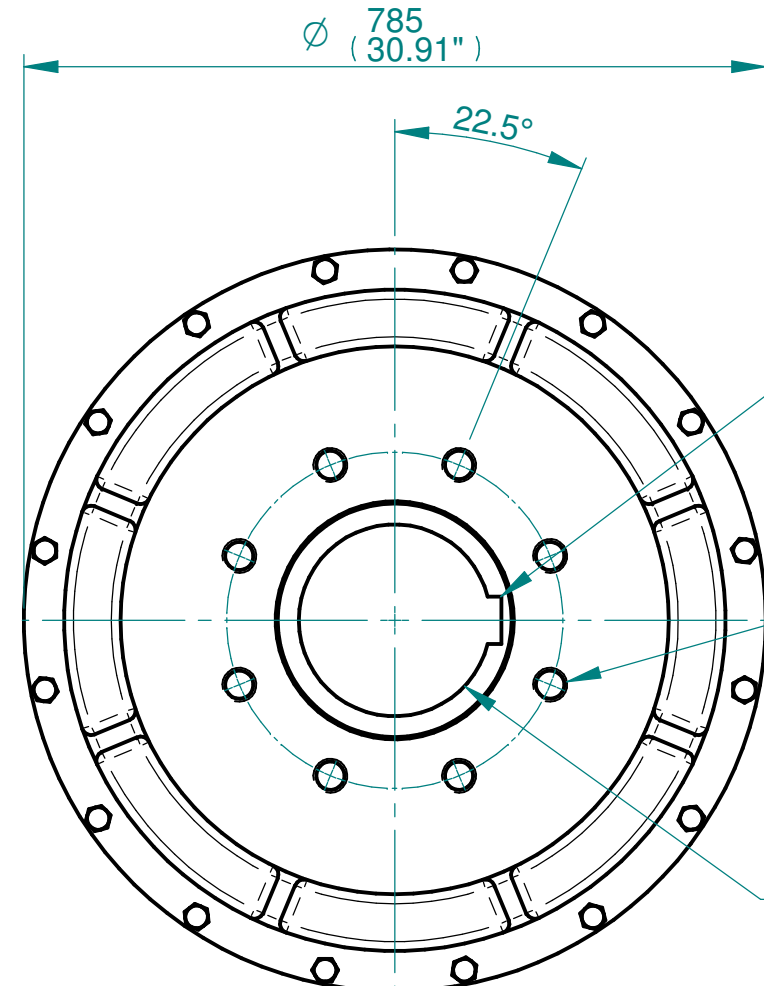


H
G
F
E
D
C
B
A



ISOMETRIC VIEW (SCALE 1:12)



LEVER POSITION IN AUTO. LEVER AUTOMATICALLY RETURNS TO THIS POSITION WHEN RELEASED.

TO ENGAGE HAND

PADLOCKABLE HAND-AUTO LEVER

N.B. KEYWAY POS. CAN BE MOVED IN 45° STEPS BY REMOVING 8 SCREWS MARKED "A" AND ROTATING OUTPUT SLEEVE

SEE GEARBOX OUTPUT FLANGE OPTIONS TABLE

SEE MAXIMUM BORE & KEY TABLE

CONDUIT ENTRIES

	Hole 1	Hole 2	Hole 3	Hole 4
Size	As Required	As Required	As Required	As Required
Plugged	As Required	As Required	As Required	As Required
Gland	As Required	As Required	As Required	As Required

NOTES:

- :DIMENSIONS WITH "*" INDICATE COVER REMOVAL ALLOWANCE
- :ELECTRONICS COVER OPTION "****" WILL VARY DEPENDING ON CONFIGURATION
- :NETT WEIGHT = 640kg/1411lbs
- : = OIL FILLER/DRAIN PLUG
- :THE INTERFACE PROVIDED FOR MOUNTING THE ACTUATOR OR SECOND STAGE GEARBOX ONTO THE VALVE SHOULD CONFORM TO GOOD ENGINEERING PRACTICES, ENSURING ADEQUATELY TOLERANCED LIMITS FOR PARALLELISM, PERPENDICULARITY AND CONCENTRICITY.
- :ROTORK CANNOT BE HELD LIABLE FOR DAMAGE TO OUR EQUIPMENT CAUSED BY EXCESSIVE LOADING FROM COVER TUBES. (SEE ALSO PUB000-124)

rotork
www.rotork.com
Rotork Controls Limited
Bath, BA1 3JQ, England.
Telephone 01225-733200

Actuator Size: IQ 20/25 IW11,115 & 116R/MOW11R		Gearbox output flange options								Maximum Bore & Key			
Title	IQ20/25, TOP HANDWHEEL, IW11R / IW115R / IW116R / MOW11R, F/FA35, 40 & 48, Ratios 180 - 3650:1 Installation Details	Designation	F35	F40	F48	-	FA35	FA40	FA48	-	Key form	Ø Bore	Key size
Drawn	TED	No. Holes	8	8	12	NOT SHOWN	8	8	12	NOT SHOWN	Rectangle (BS4235)	270	63 X 32
Checked	NJC	Hole size	M30	M36	M36	-	1" UNC	1-1/4" UNC	1-1/4" UNC	-	Rectangle (ANSI B17.1)	7-5/8"	2 X 1-1/2"
Date	22-AUG-14	PCD	356	406	483	-	14"	16"	19"	-	Square (ANSI B17.1)	7-3/8"	1-3/4" SQ
Ref	SALES	Project Ref	QUOTATION										

3D Models are available in various formats under the same drawing number

Issue	Description
4	OUTPUT FLANGE CHANGE

Scale: 1:8

THIRD ANGLE PROJECTION

A2	Drawing Number	Issue No	Sheet No
I12THWIW1RSTD		4	1 of 1

1 2 3 4 5 6 7 8 9 10 11 12