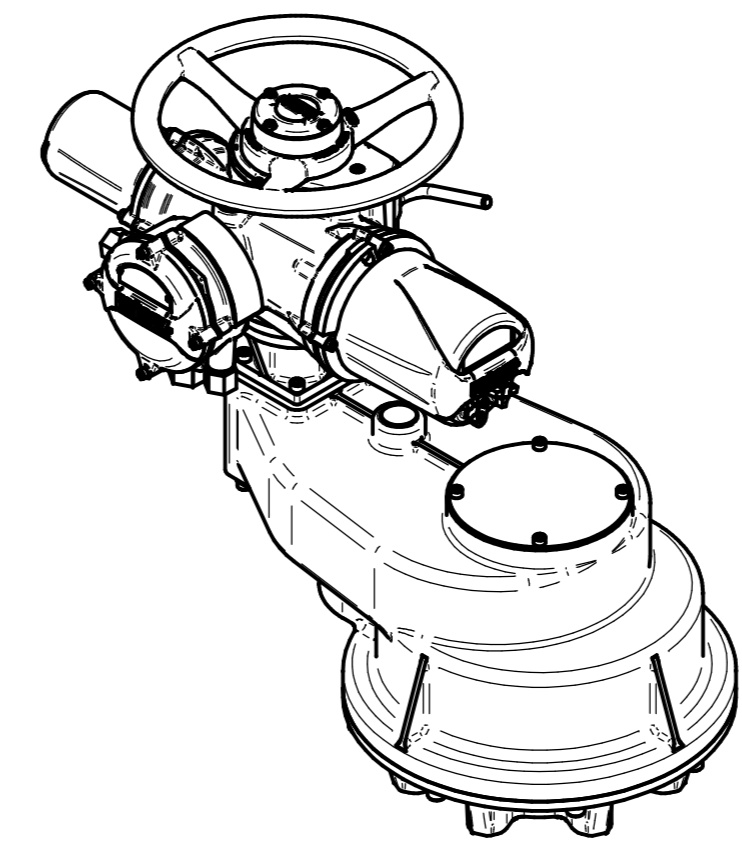
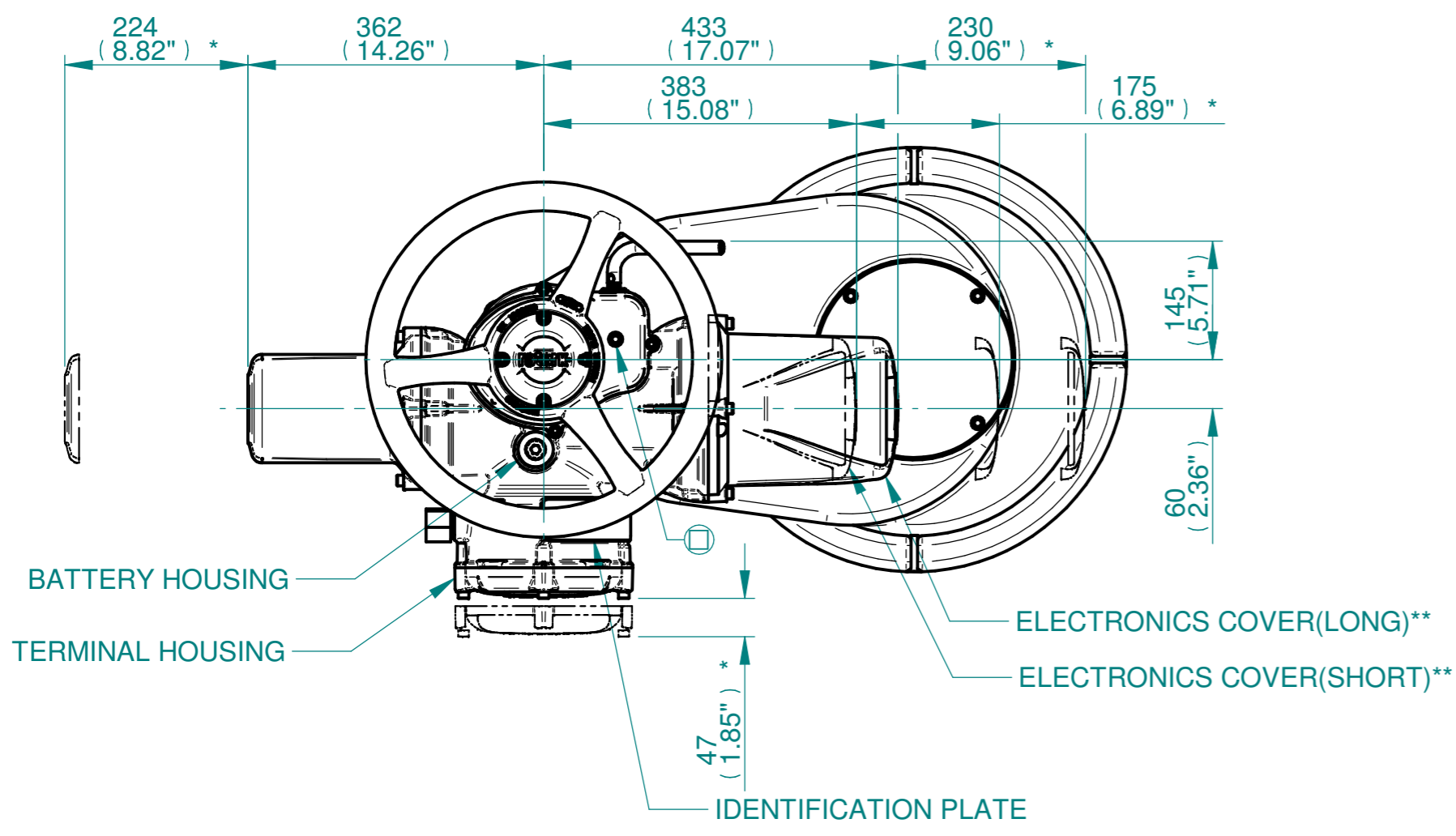
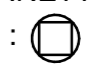


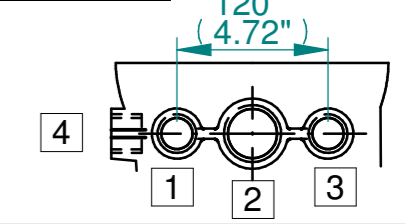
H
G
F
E
D
C
B
A



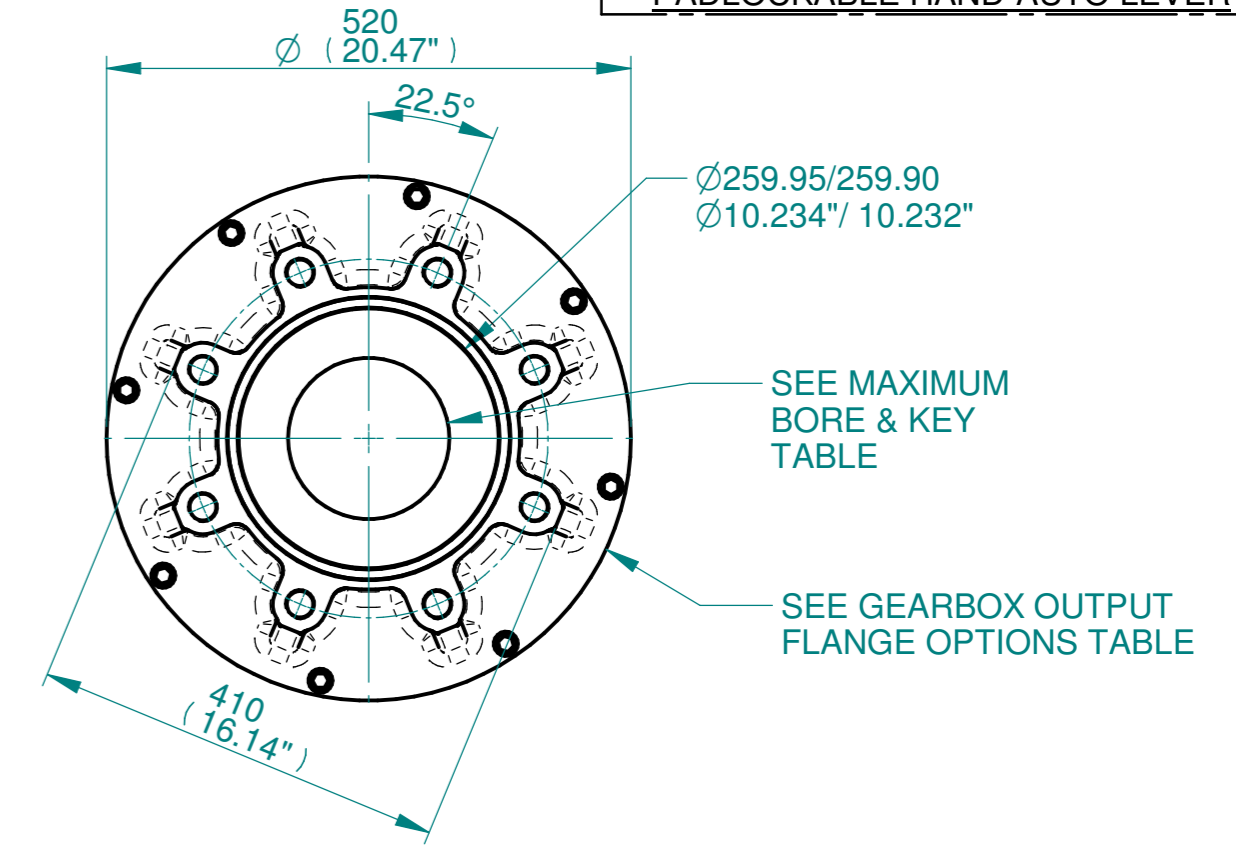
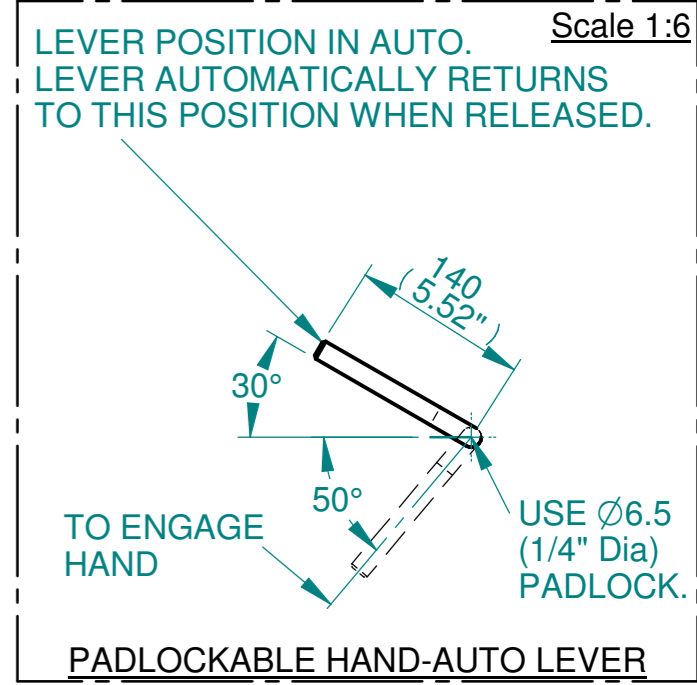
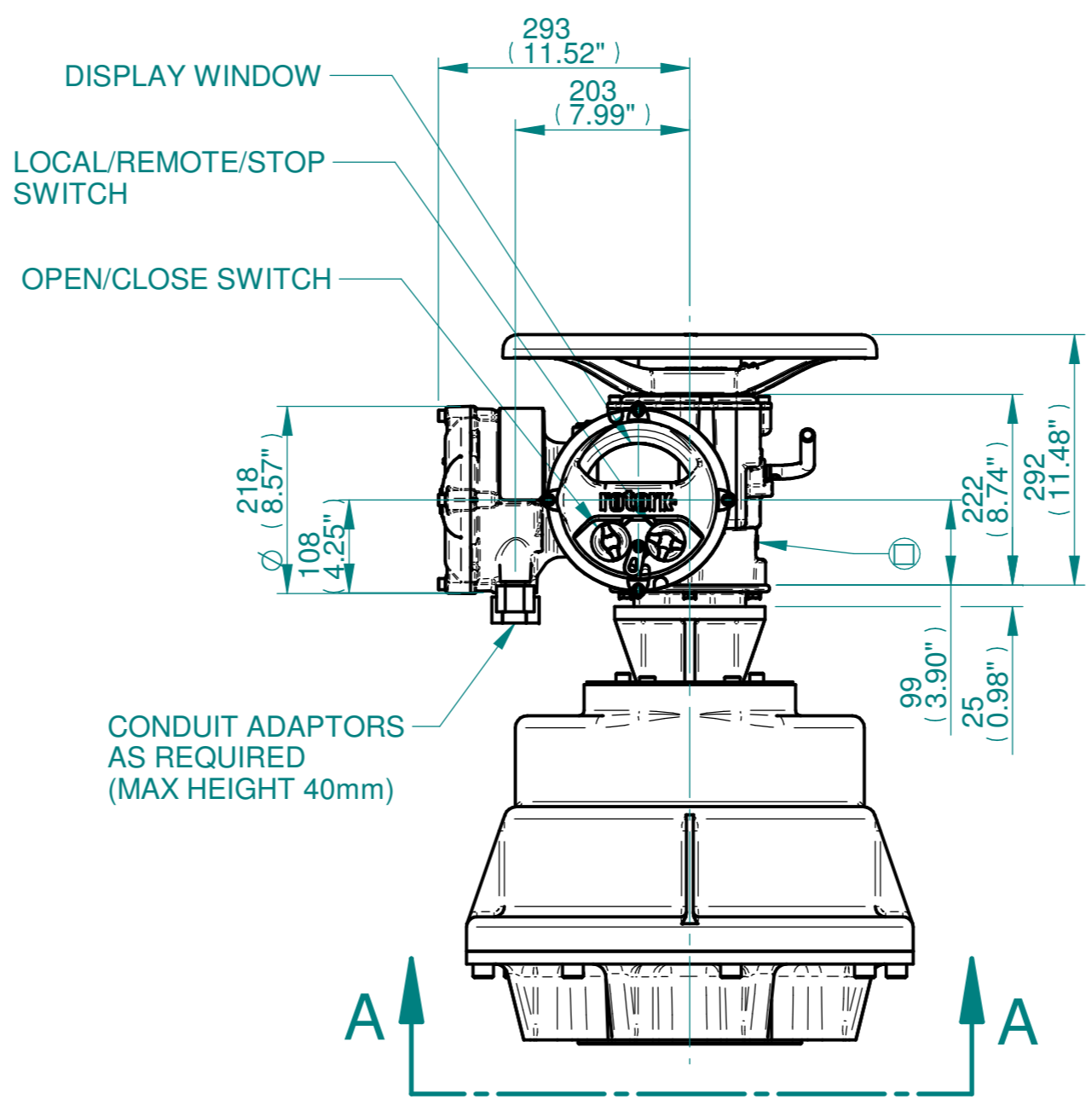
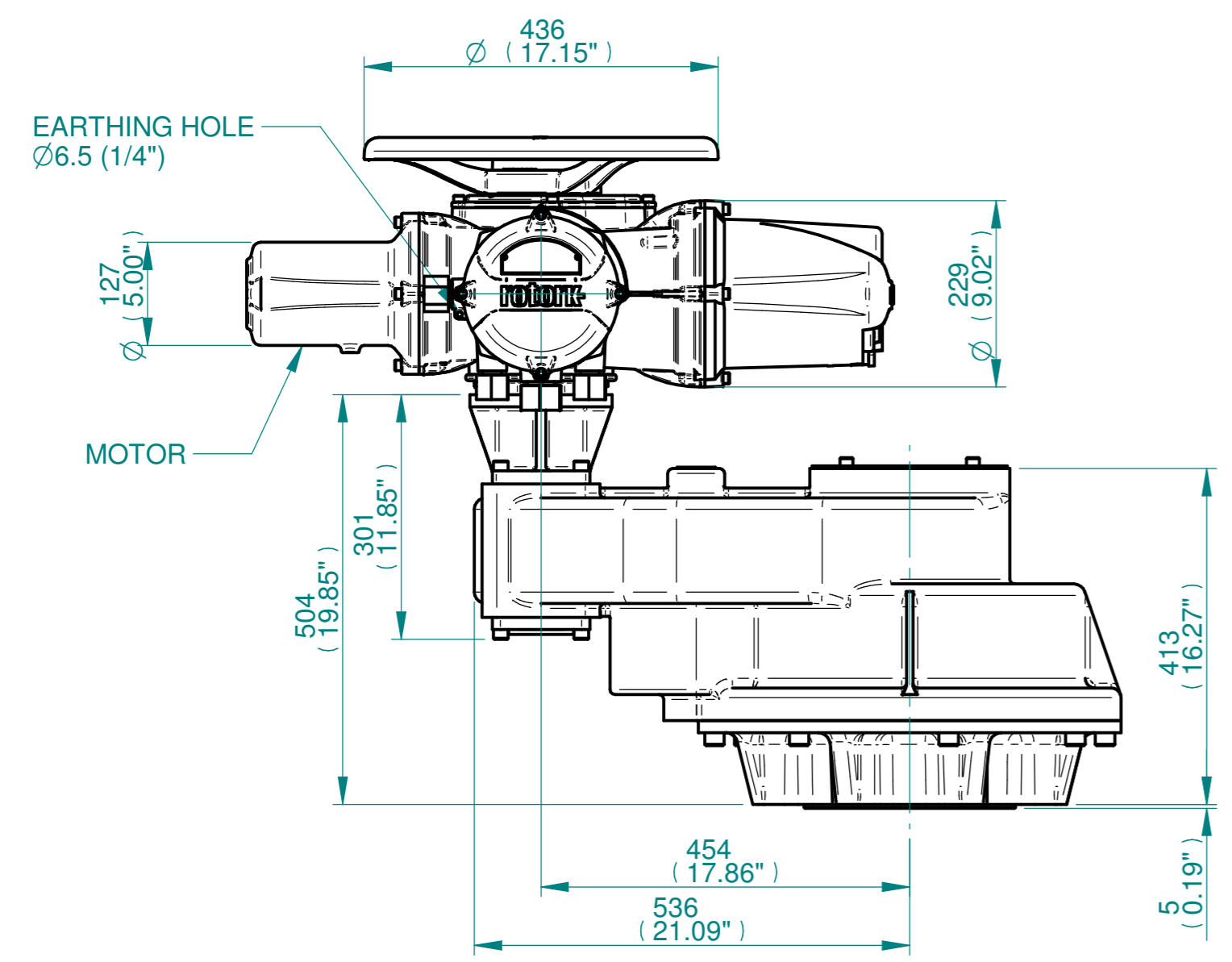
ISOMETRIC VIEW
1:10

NOTES:
 : DIMENSIONS WITH "*" INDICATE COVER REMOVAL ALLOWANCE
 : ELECTRONICS COVER OPTION "*" WILL VARY DEPENDING ON CONFIGURATION
 : NETT WEIGHT = 322kg/710lbs
 :  = OIL FILLER/DRAIN PLUG
 : THE INTERFACE PROVIDED FOR MOUNTING THE ACTUATOR OR SECOND STAGE GEARBOX ONTO THE VALVE SHOULD CONFORM TO GOOD ENGINEERING PRACTICES, ENSURING ADEQUATELY TOLERANCED LIMITS FOR PARALLELISM, PERPENDICULARITY AND CONCENTRICITY.
 : ROTORK CANNOT BE HELD LIABLE FOR DAMAGE TO OUR EQUIPMENT CAUSED BY EXCESSIVE LOADING FROM COVER TUBES. (SEE ALSO PUB000-124)

CONDUIT ENTRIES



| | Hole 1 | Hole 2 | Hole 3 | Hole 4 |
|---------|-------------|-------------|-------------|-------------|
| Size | As Required | As Required | As Required | As Required |
| Plugged | As Required | As Required | As Required | As Required |
| Gland | As Required | As Required | As Required | As Required |



VIEW A-A

3D Models are available in various formats under the same drawing number

rotork
www.rotork.com
Rotork Controls Limited
Bath, BA1 3JQ, England.
Telephone 01225-733200

| Actuator Size: IQ19/20/25, IS15 | | Gearbox output flange options | | | | | | | | Maximum Bore & Key | | | |
|---------------------------------|--|-------------------------------|-----------|---|---|---|--------|---|---|--------------------|--------------------|--------|----------|
| Title | IQ19/20/25, TOP HANDWHEEL, IS15, F35, FA35, Ratios 10:1,12:1 & 15:1 Installation Details | Designation | F35 | - | - | - | FA35 | - | - | - | Key form | Ø Bore | Key size |
| Drawn | DH | No. Holes | 8 | - | - | - | 8 | - | - | - | Rectangle (BS4235) | 121 | 32 x 18 |
| Checked | JBA | Hole size | M30 | - | - | - | 1" UNC | - | - | - | - | - | - |
| Date | FEB 19 | PCD | 356 | - | - | - | 14" | - | - | - | - | - | - |
| Ref | SALES | Project Ref | QUOTATION | - | - | - | - | - | - | - | - | - | - |

| Issue | Description |
|-------|-------------|
| 1 | FIRST ISSUE |

Scale: 1:7.5

THIRD ANGLE PROJECTION

| Drawing Number | Issue No | Sheet No |
|----------------|----------|----------|
| I12THWIS15STD | 1 | 1 of 1 |

1 2 3 4 5 6 7 8 9 10 11 12