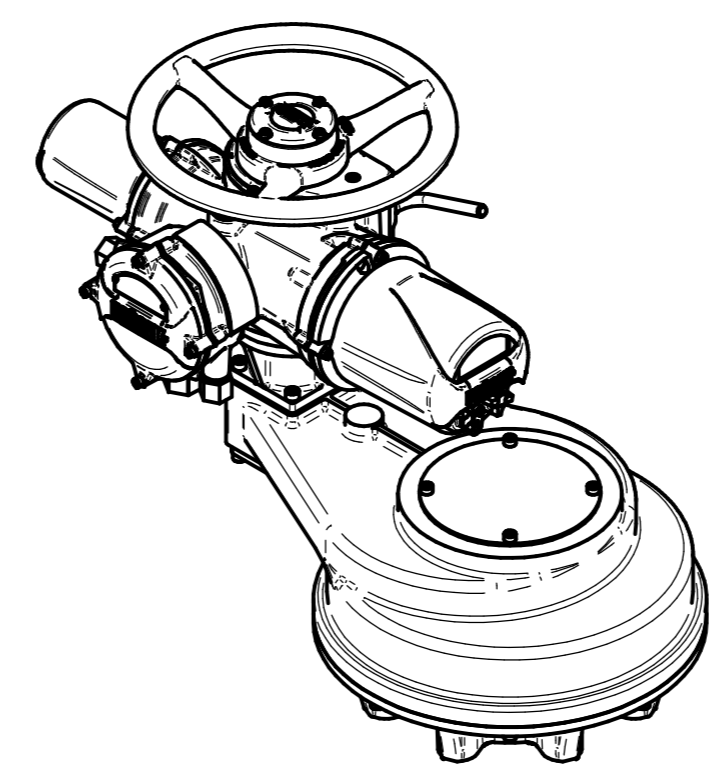
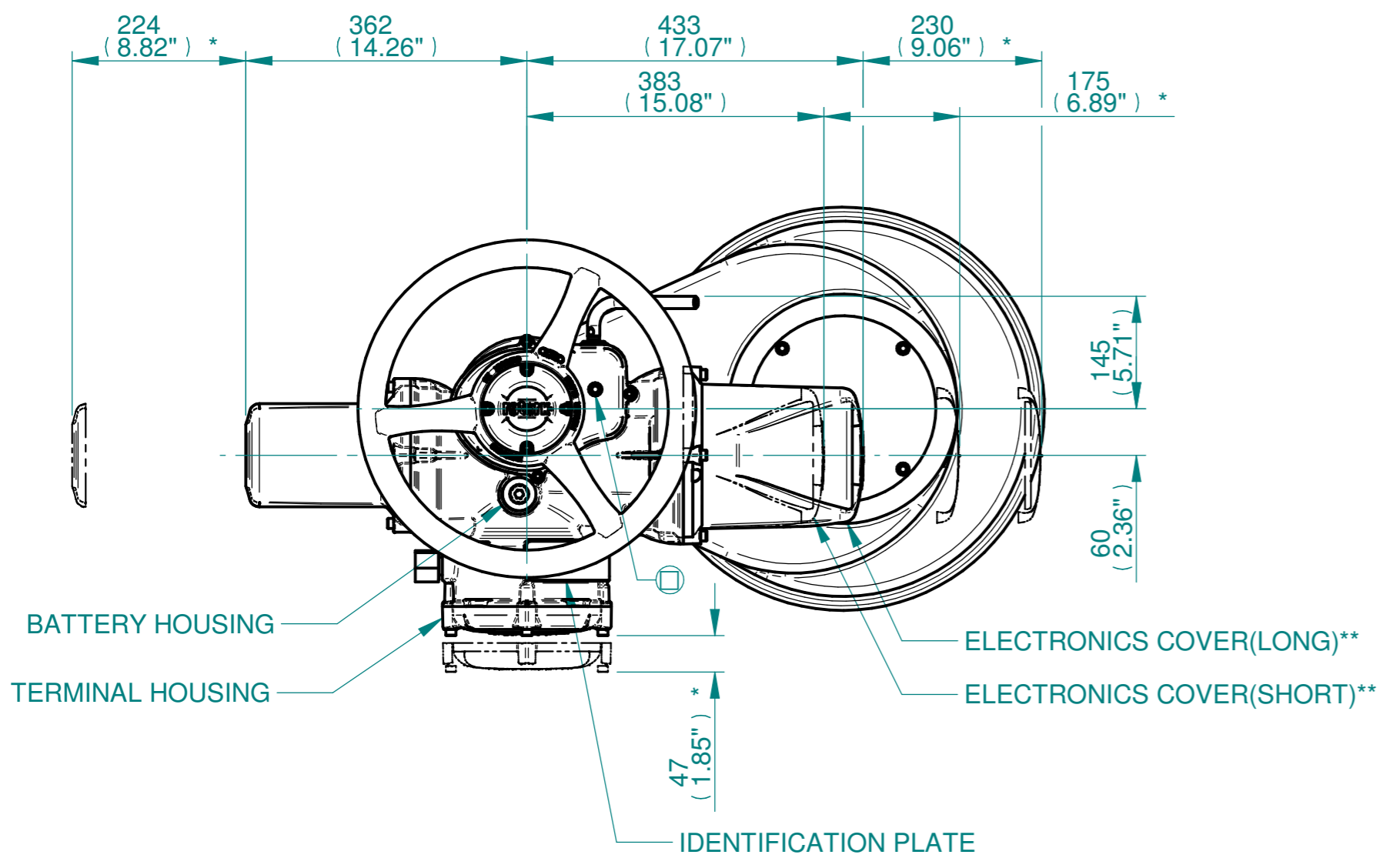
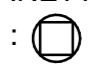
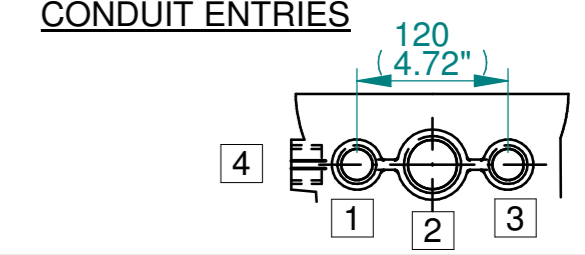


H
G
F
E
D
C
B
A

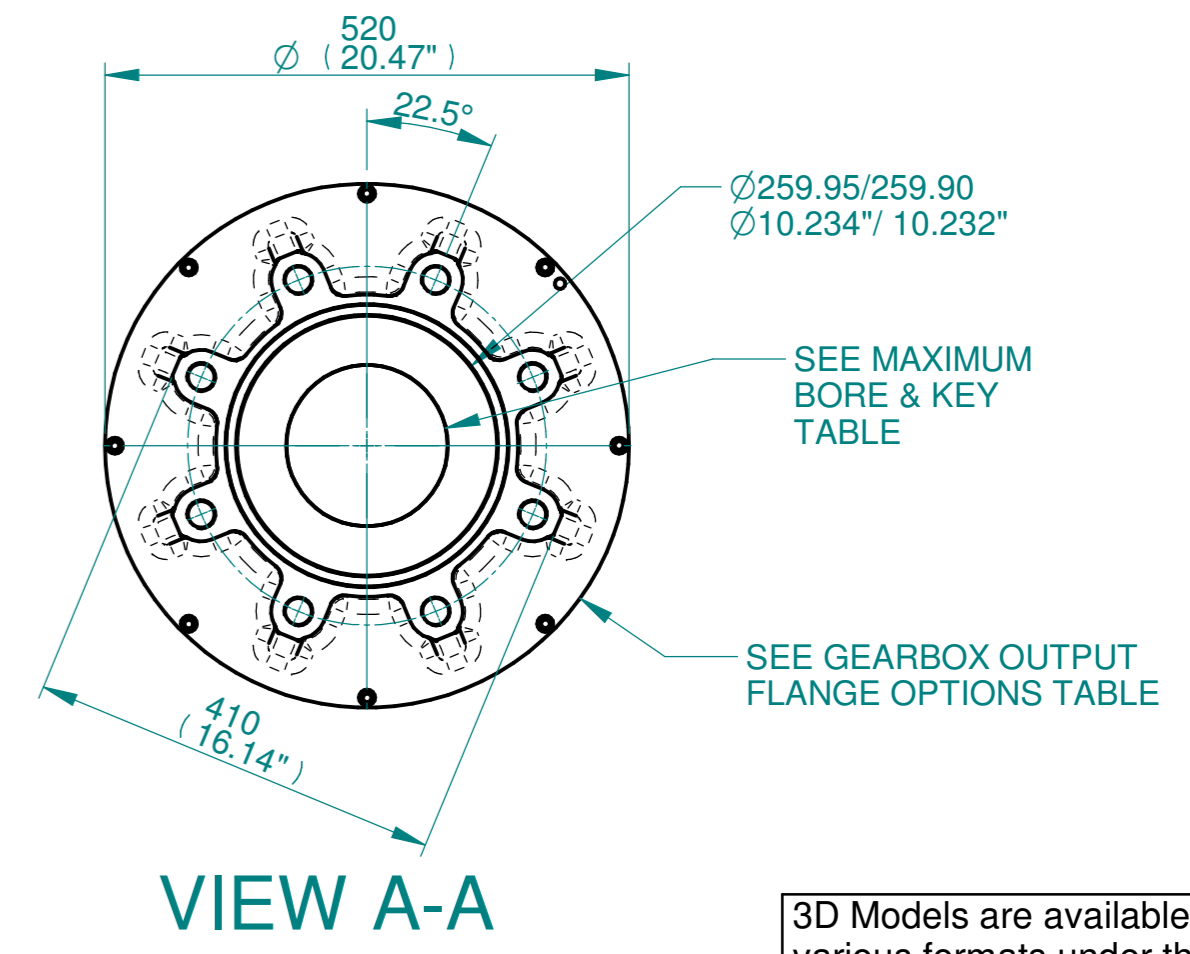
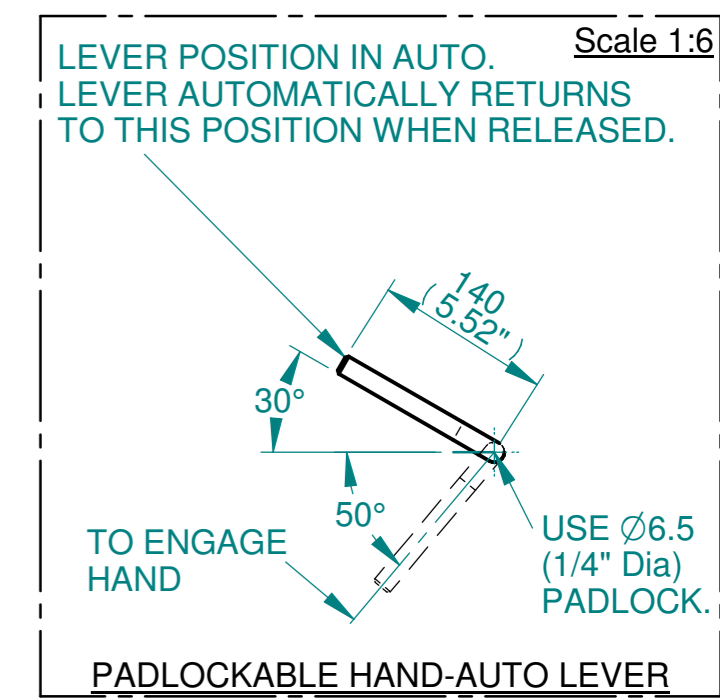
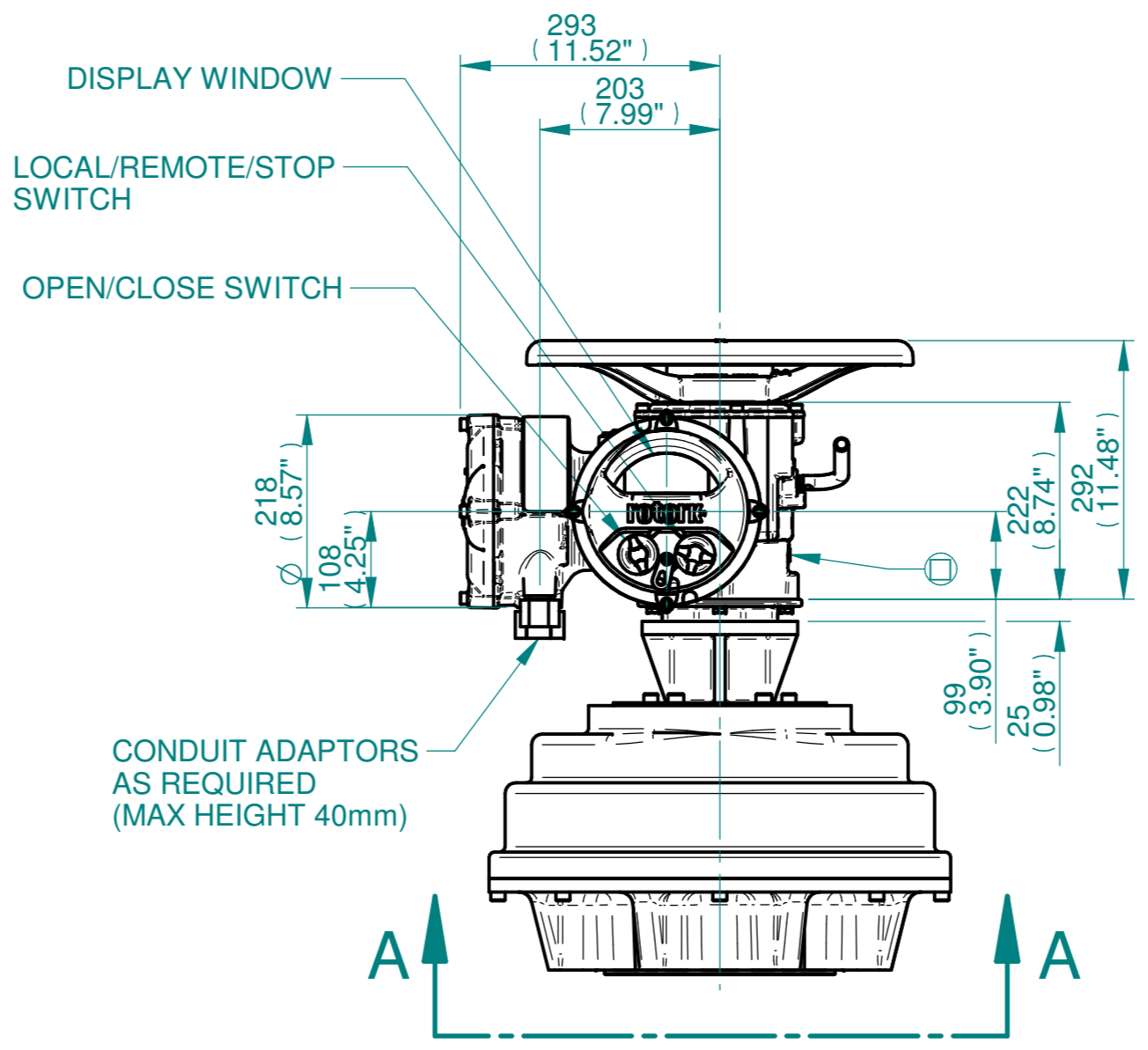
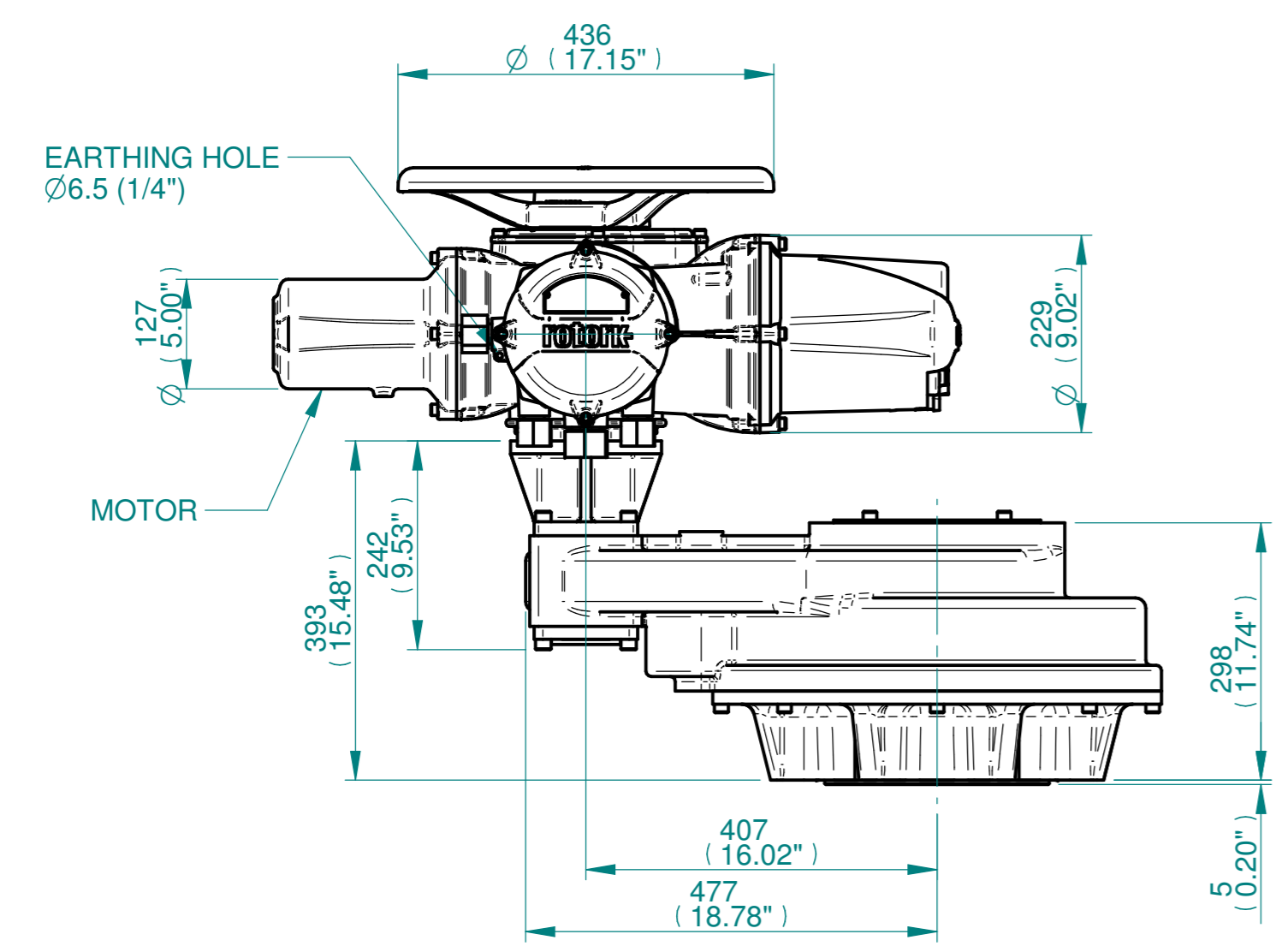


ISOMETRIC VIEW
1:10

NOTES:
 :DIMENSIONS WITH "*" INDICATE COVER REMOVAL ALLOWANCE
 :ELECTRONICS COVER OPTION "*" WILL VARY DEPENDING ON CONFIGURATION
 :NETT WEIGHT = 272kg/599lbs
 :  = OIL FILLER/DRAIN PLUG
 :THE INTERFACE PROVIDED FOR MOUNTING THE ACTUATOR OR SECOND STAGE GEARBOX ONTO THE VALVE SHOULD CONFORM TO GOOD ENGINEERING PRACTICES, ENSURING ADEQUATELY TOLERANCED LIMITS FOR PARALLELISM, PERPENDICULARITY AND CONCENTRICITY.
 :ROTORK CANNOT BE HELD LIABLE FOR DAMAGE TO OUR EQUIPMENT CAUSED BY EXCESSIVE LOADING FROM COVER TUBES. (SEE ALSO PUB000-124)



	Hole 1	Hole 2	Hole 3	Hole 4
Size	As Required	As Required	As Required	As Required
Plugged	As Required	As Required	As Required	As Required
Gland	As Required	As Required	As Required	As Required



VIEW A-A

3D Models are available in various formats under the same drawing number

rotork
www.rotork.com
Rotork Controls Limited
Bath, BA1 3JQ, England.
Telephone 01225-733200

Actuator Size: IQ19/20/25, IS13		Gearbox output flange options								Maximum Bore & Key			
Title	IQ19/20/25, TOP HANDWHEEL, IS13, F35, FA35, Ratios 8:1,10:1,12:1 & 15:1 Installation Details	Designation	F35	-	-	-	FA35	-	-	-	Key form	Ø Bore	Key size
Drawn	DH	No. Holes	8	-	-	-	8	-	-	-	Rectangle (BS4235)	121	32 x 18
Checked	JBA	Hole size	M30	-	-	-	1" UNC	-	-	-	-	-	-
Date	FEB 19	PCD	356	-	-	-	14"	-	-	-	-	-	-
Ref	SALES	Project Ref	QUOTATION	-	-	-	-	-	-	-	-	-	-

Issue	Description
1	FIRST ISSUE

Scale: 1:7.5

THIRD ANGLE PROJECTION

Drawing Number	Issue No	Sheet No
I12THWIS13STD	1	1 of 1

1 2 3 4 5 6 7 8 9 10 11 12