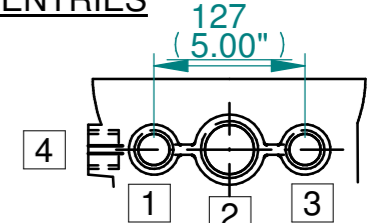


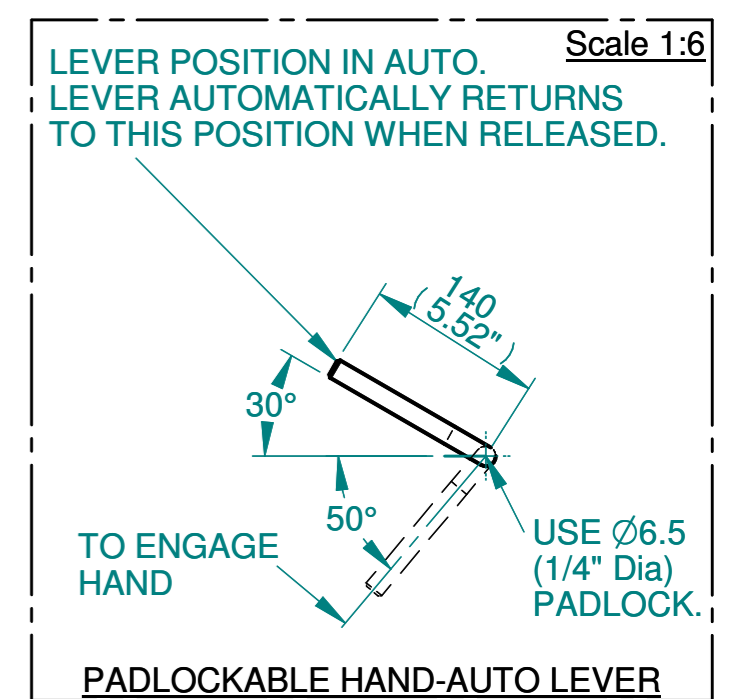
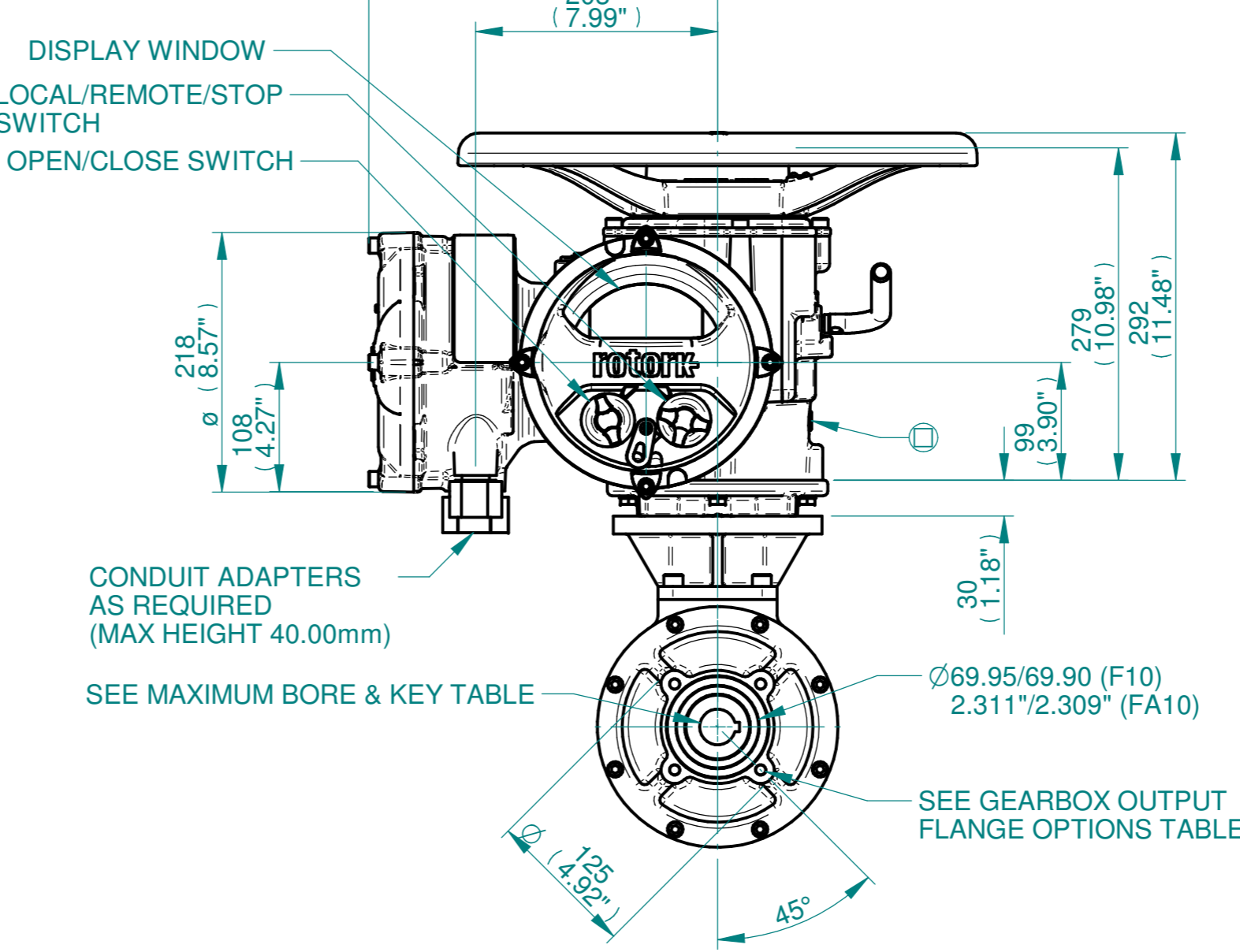
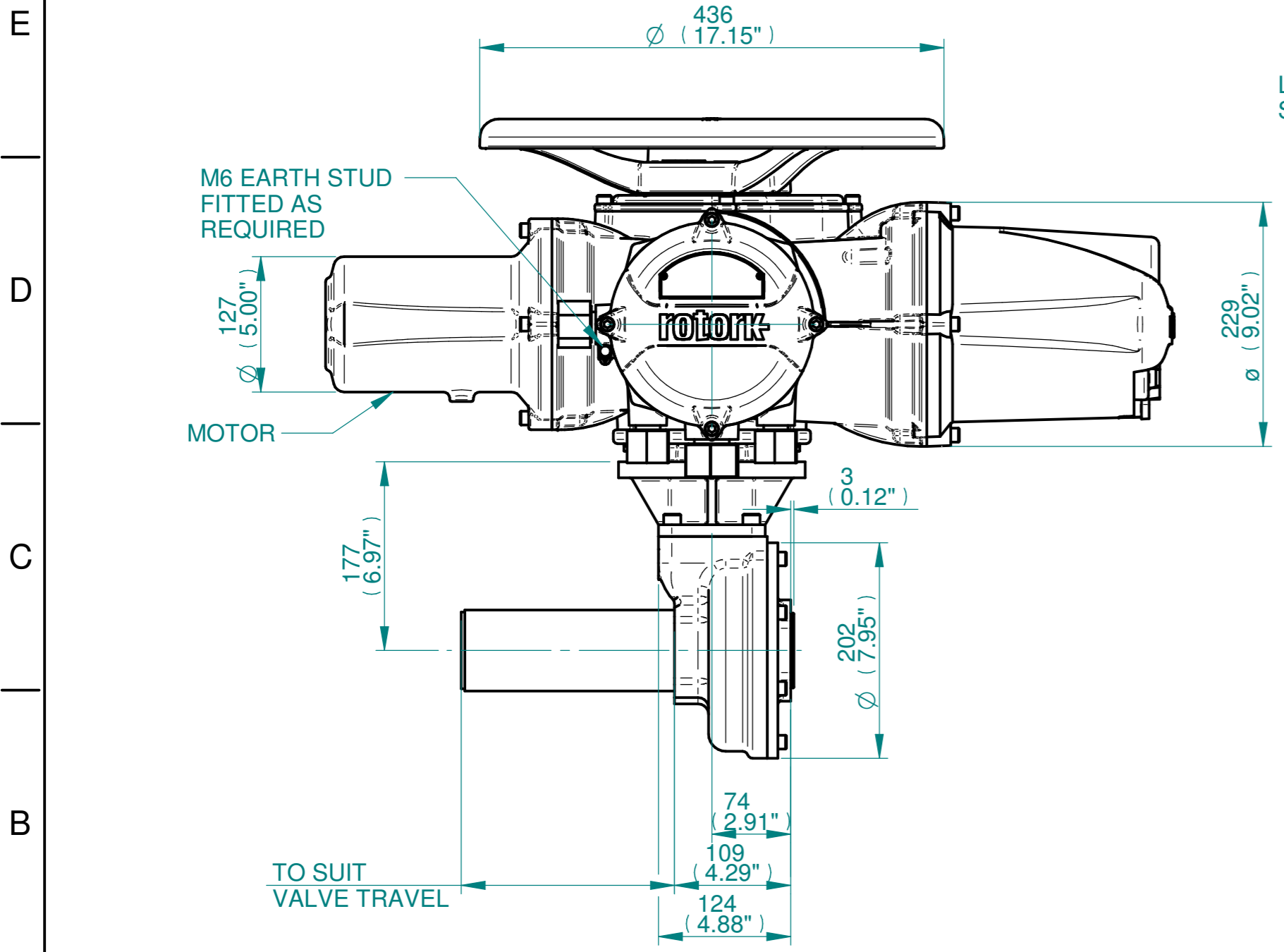
ISOMETRIC VIEW
(SCALE 1:12)

NOTES:
 :DIMENSIONS WITH "*" INDICATE COVER REMOVAL ALLOWANCE
 :ELECTRONICS COVER OPTION "****" WILL VARY DEPENDING ON CONFIGURATION
 :NETT WEIGHT = 70kg/154lbs
 : = OIL FILLER/DRAIN PLUG
 :THE INTERFACE PROVIDED FOR MOUNTING THE ACTUATOR OR SECOND STAGE GEARBOX ONTO THE VALVE SHOULD CONFORM TO GOOD ENGINEERING PRACTICES, ENSURING ADEQUATELY TOLERANCED LIMITS FOR PARALLELISM, PERPENDICULARITY AND CONCENTRICITY.
 :ROTORK CANNOT BE HELD LIABLE FOR DAMAGE TO OUR EQUIPMENT CAUSED BY EXCESSIVE LOADING FROM COVER TUBES. (SEE ALSO PUB000-124)

CONDUIT ENTRIES



	Hole 1	Hole 2	Hole 3	Hole 4
Size	As Required	As Required	As Required	As Required
Plugged	As Required	As Required	As Required	As Required
Gland	As Required	As Required	As Required	As Required



Actuator Size: IQ20/25, IB4, F10/FA10		Gearbox output flange options								Maximum Bore & Key			
rotork www.rotork.com Rotork Controls Limited Bath, BA1 3JQ, England. Telephone 01225-733200	Title IQ20/25, TOP HANDWHEEL, IB4, F10/FA10, Ratios 2:1,3:1,4:1 & 6:1 Installation Details Drawn JLF Checked NJC Date 12-MAR-15 Ref SALES Project Ref QUOTATION	Designation	F10	-	-	-	FA10	-	-	-	Key form	Ø Bore	Key size
		No. Holes	4	-	-	-	4	-	-	-	Rectangle (BS4235)	40	12 X 8
		Hole size	M10	-	-	-	3/8" UNC	-	-	-	Rectangle (ANSI B17.1)	1-5/8"	3/8 X 1/4"
		PCD	102	-	-	-	4"	-	-	-	Square (ANSI B17.1)	1-1/2"	3/8"

Issue	Description
3	F14 Base change

Scale: 1:5 THIRD ANGLE PROJECTION

Drawing Number	Issue No	Sheet No
I12THWIB4STD	3	1 of 1