
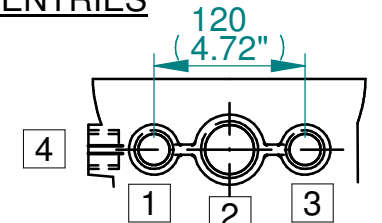


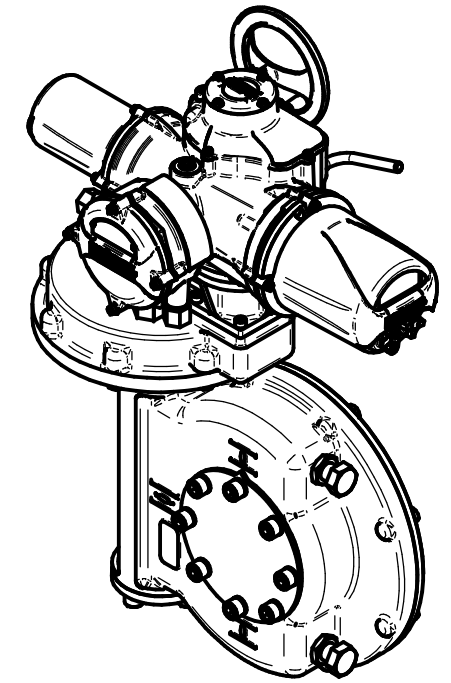
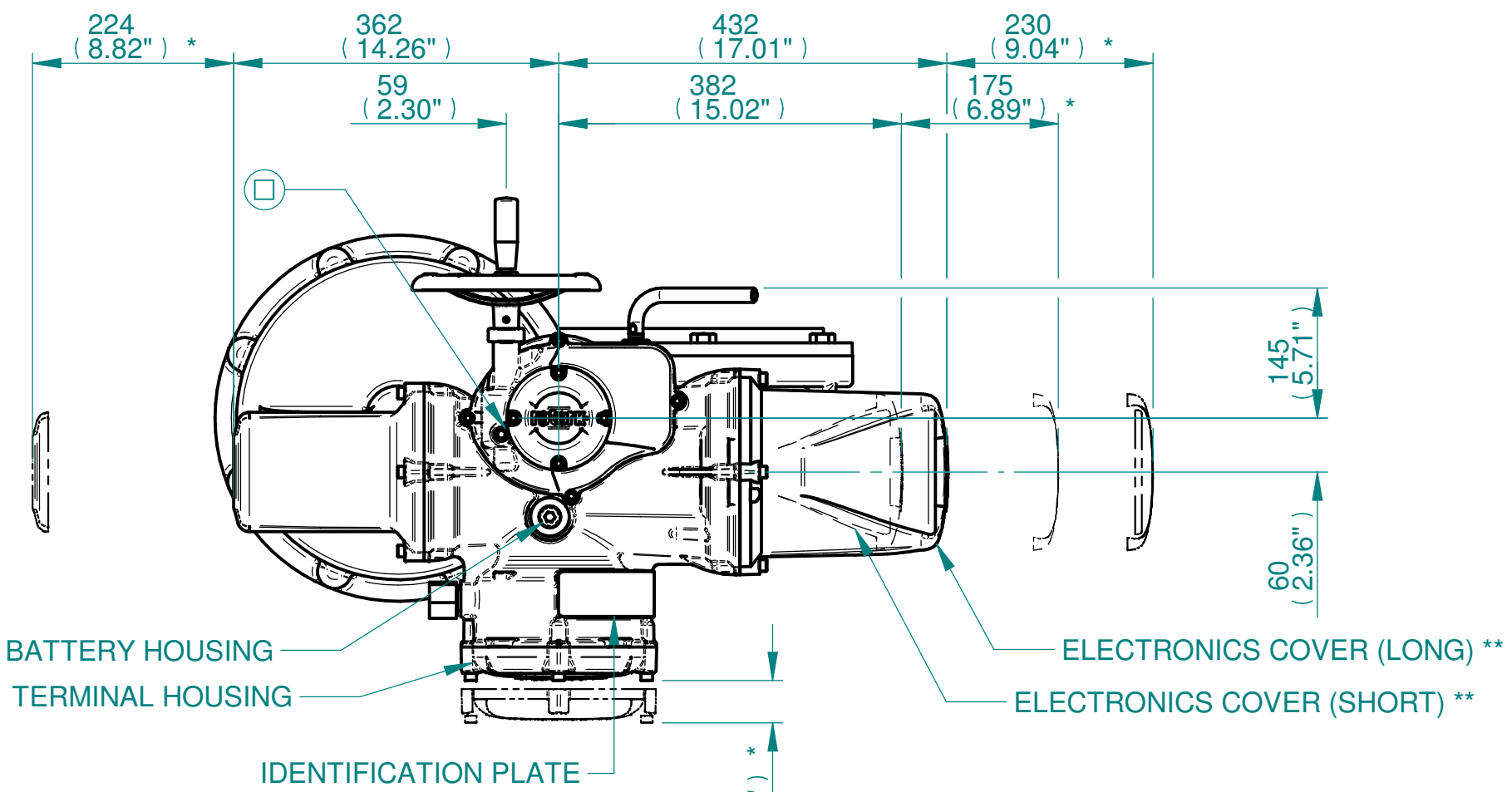
H  
G  
F  
E  
D  
C  
B  
A

**NOTES:**  
 :DIMENSIONS WITH "\*" INDICATE COVER REMOVAL ALLOWANCE  
 :ELECTRONICS COVER OPTION "\*" WILL VARY DEPENDING ON CONFIGURATION  
 :NETT WEIGHT = 305Kg/672lbs  
 : = OIL FILLER/DRAIN PLUG  
 :THE INTERFACE PROVIDED FOR MOUNTING THE ACTUATOR OR SECOND STAGE GEARBOX ONTO THE VALVE SHOULD CONFORM TO GOOD ENGINEERING PRACTICES, ENSURING ADEQUATELY TOLERANCED LIMITS FOR PARALLELISM, PERPENDICULARITY AND CONCENTRICITY.  
 :ROTORK CANNOT BE HELD LIABLE FOR DAMAGE TO OUR EQUIPMENT CAUSED BY EXCESSIVE LOADING FROM COVER TUBES. (SEE ALSO PUB000-123)

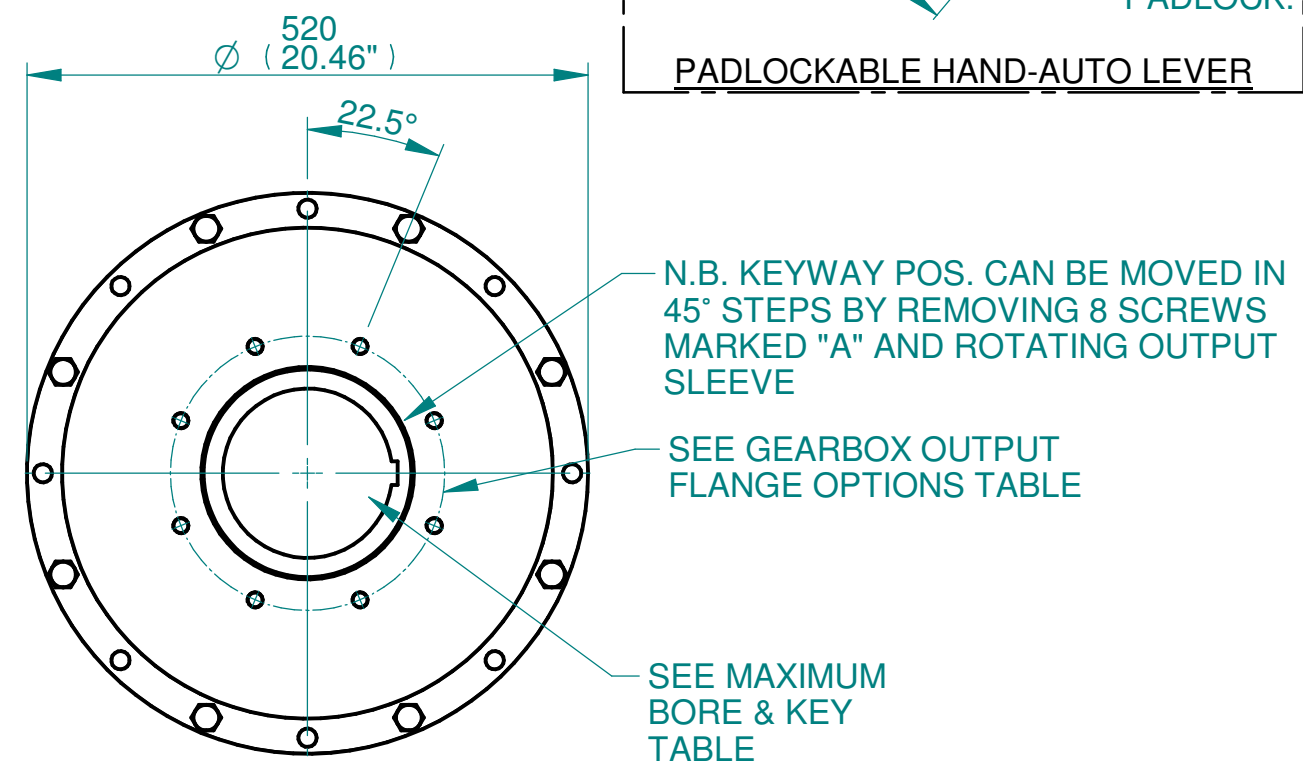
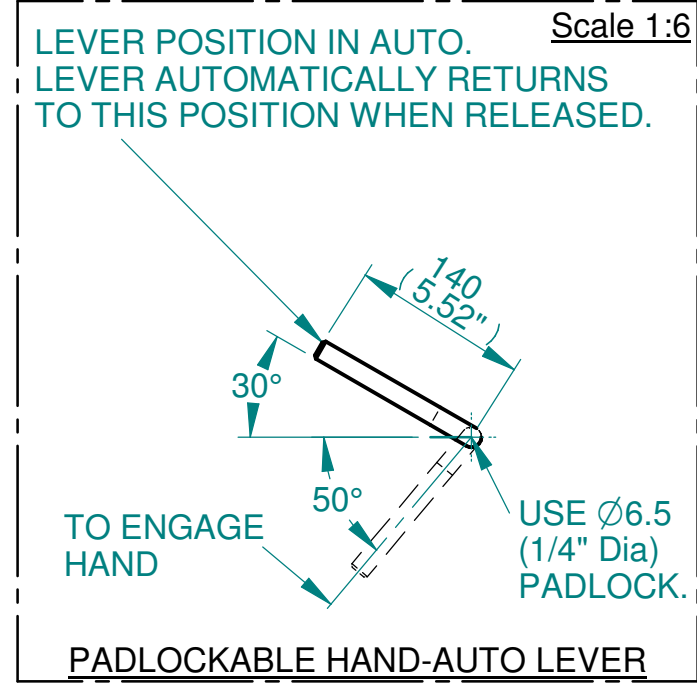
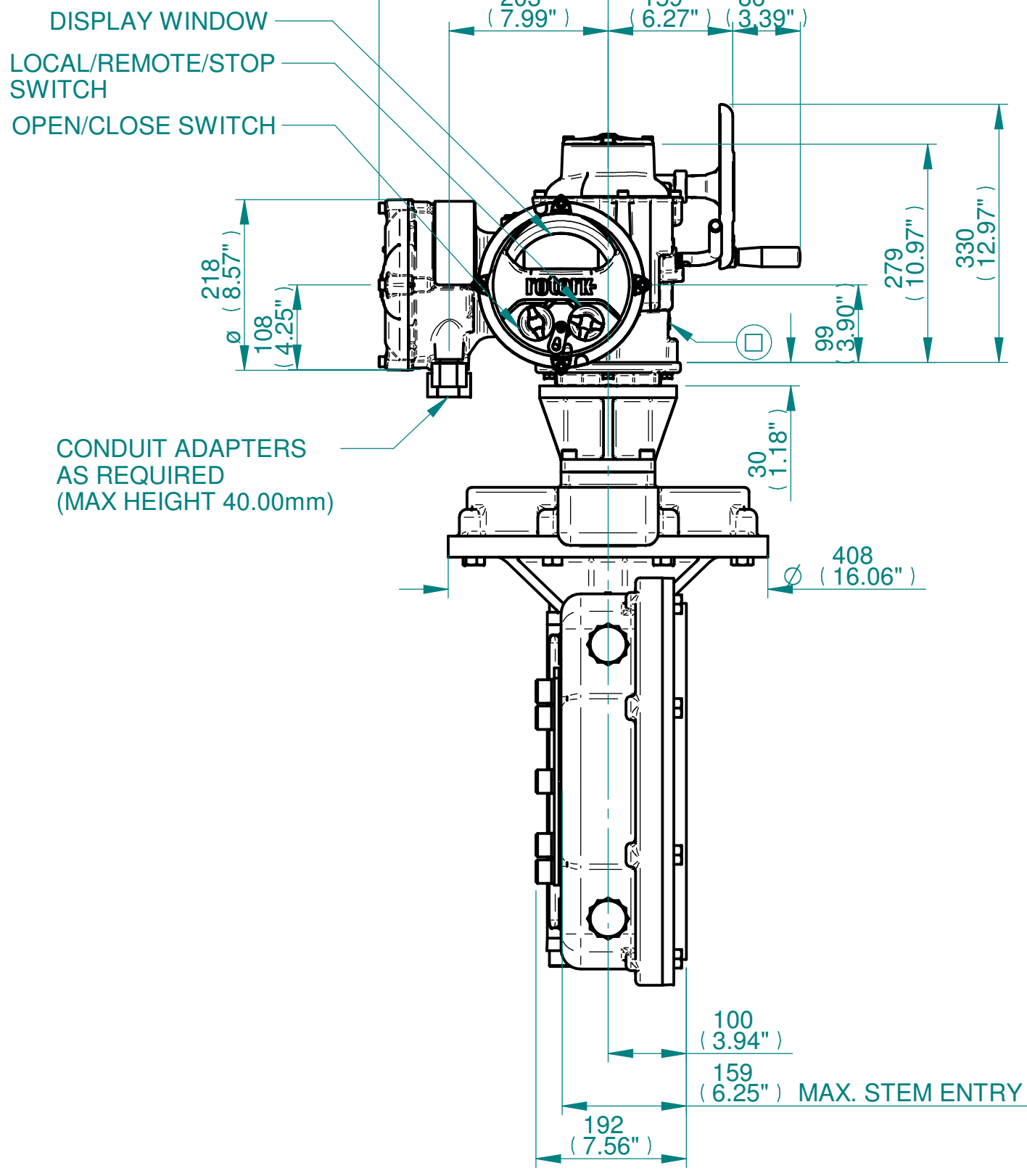
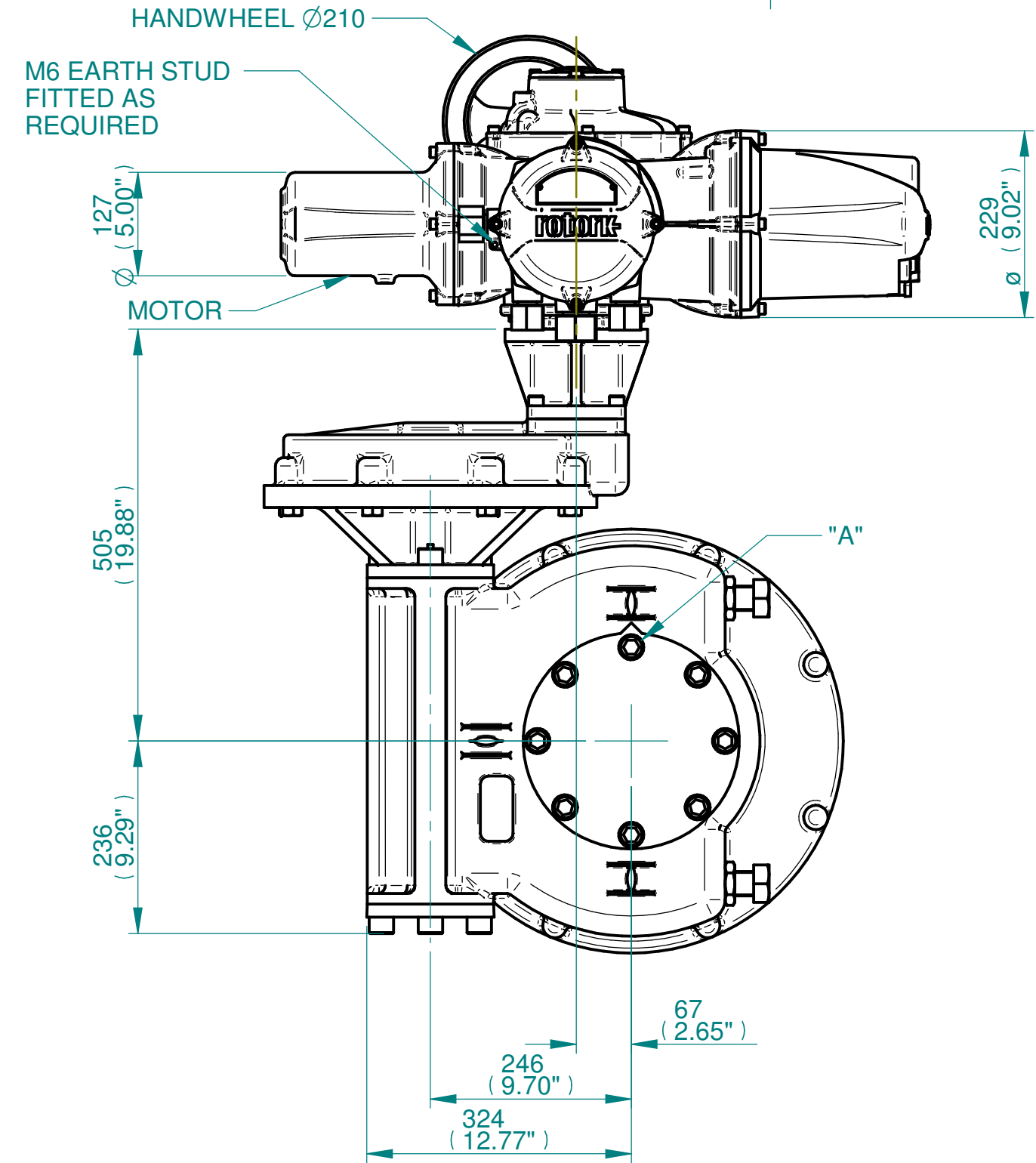
**CONDUIT ENTRIES**



	Hole 1	Hole 2	Hole 3	Hole 4
Size	As Required	As Required	As Required	As Required
Plugged	As Required	As Required	As Required	As Required
Gland	As Required	As Required	As Required	As Required



**ISOMETRIC VIEW (SCALE 1:12)**




3D Models are available in various formats under the same drawing number



Rotork Controls Limited  
 Bath, BA1 3JQ, England.  
 Telephone 01225-733200

Actuator Size: IQ 20/25 IW8,82 & 86RH/MOW8RH		Gearbox output flange options								Maximum Bore & Key						
Title	IQ20/25, SIDE HANDWHEEL, IW8RH/ IW82RH / IW86RH / MOW8RH, F/FA25, 30,35 & 40, Ratios 480 - 768:1 Installation Details	Designation	F25	F30	F35	F40	FA25	FA30	FA35	FA40	Key form	Ø Bore	Key size			
Drawn	TED	Checked	NJC	Date	22-AUG-14	No. Holes	8	8	8	8	8	8	8	Rectangle (BS4235)	157	40 X 22
Hole size	M16	M20	M30	M36	5/8" UNC	3/4" UNC	1" UNC	1-1/4" UNC	Rectangle (ANSI B17.1)	6"	1-1/2 X 1"					
PCD	254	298	356	406	10"	11.75"	14"	16"	Square (ANSI B17.1)	5-5/8"	1-1/2" SQ					
Ref	SALES	Project Ref	QUOTATION													

Issue	Description
4	OUTPUT FLANGE CHANGE
Scale: 1:7	 THIRD ANGLE PROJECTION
A2	Drawing Number Issue No Sheet No
I12SHWIW8RHSTD	4 1 of 1

1 2 3 4 5 6 7 8 9 10 11 12