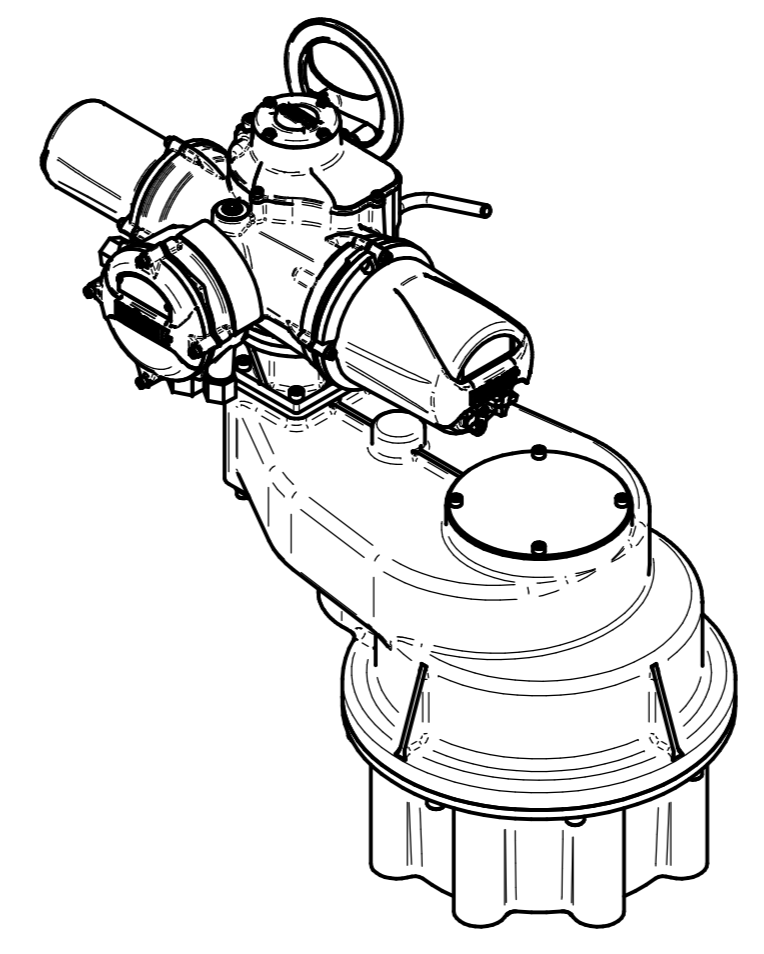
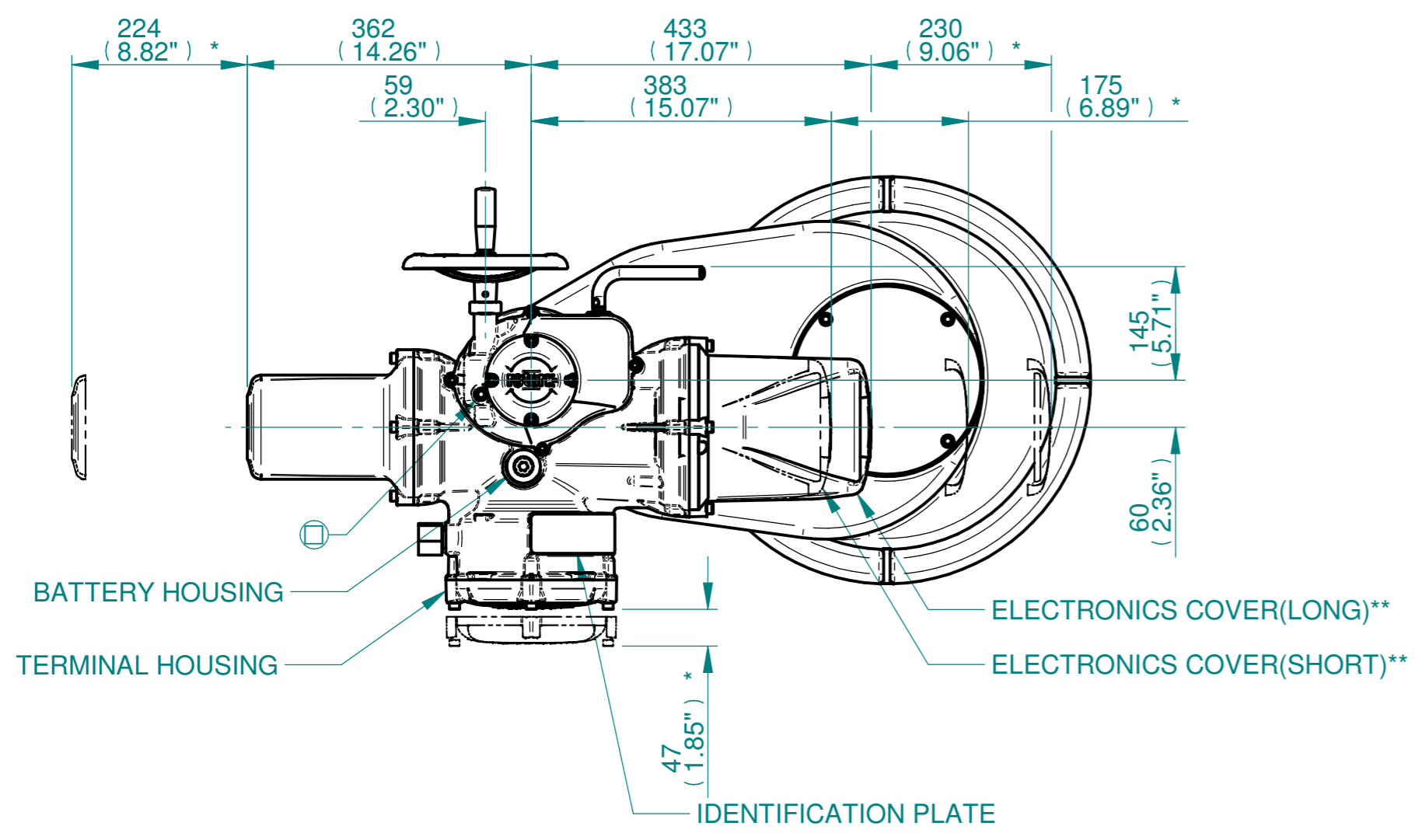
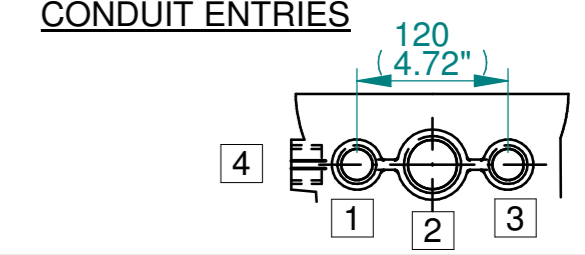


H  
G  
F  
E  
D  
C  
B  
A

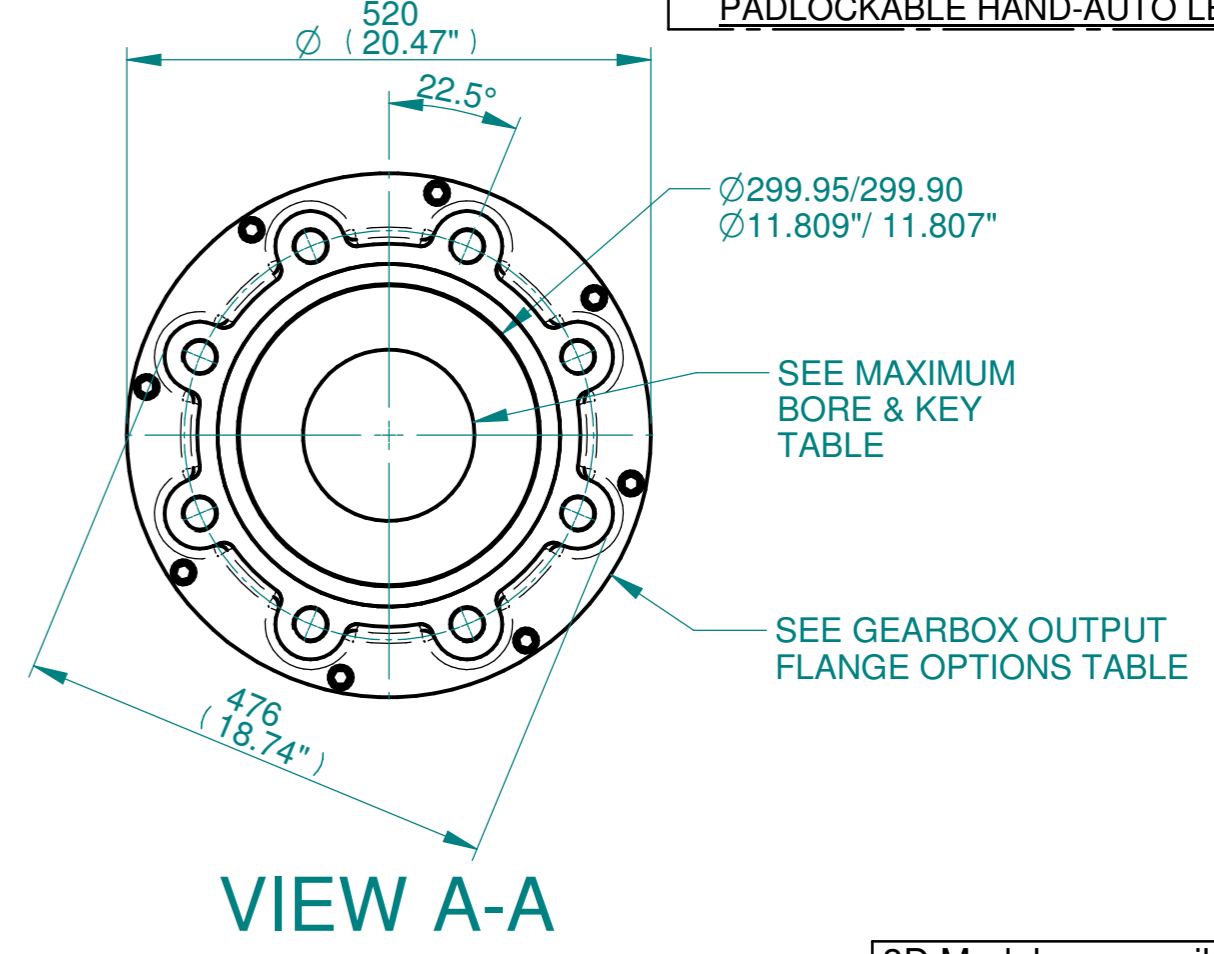
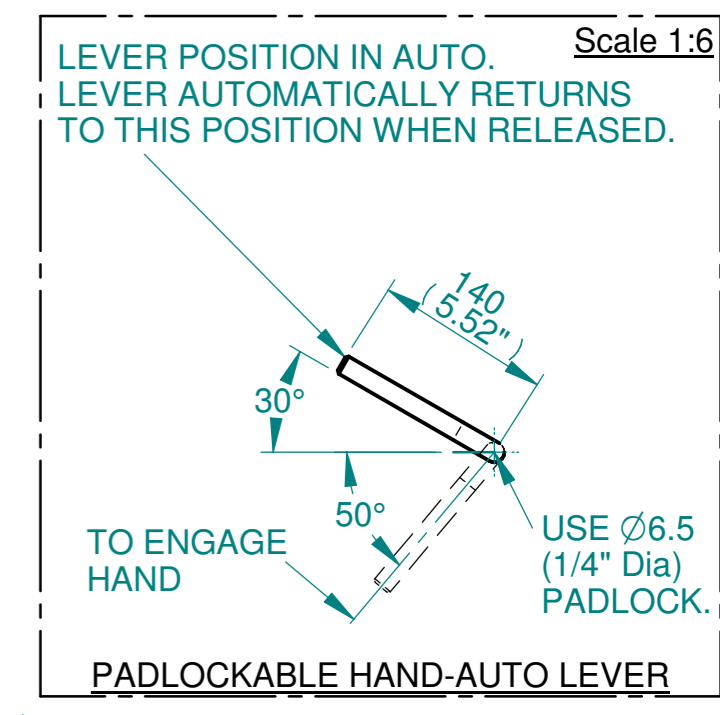
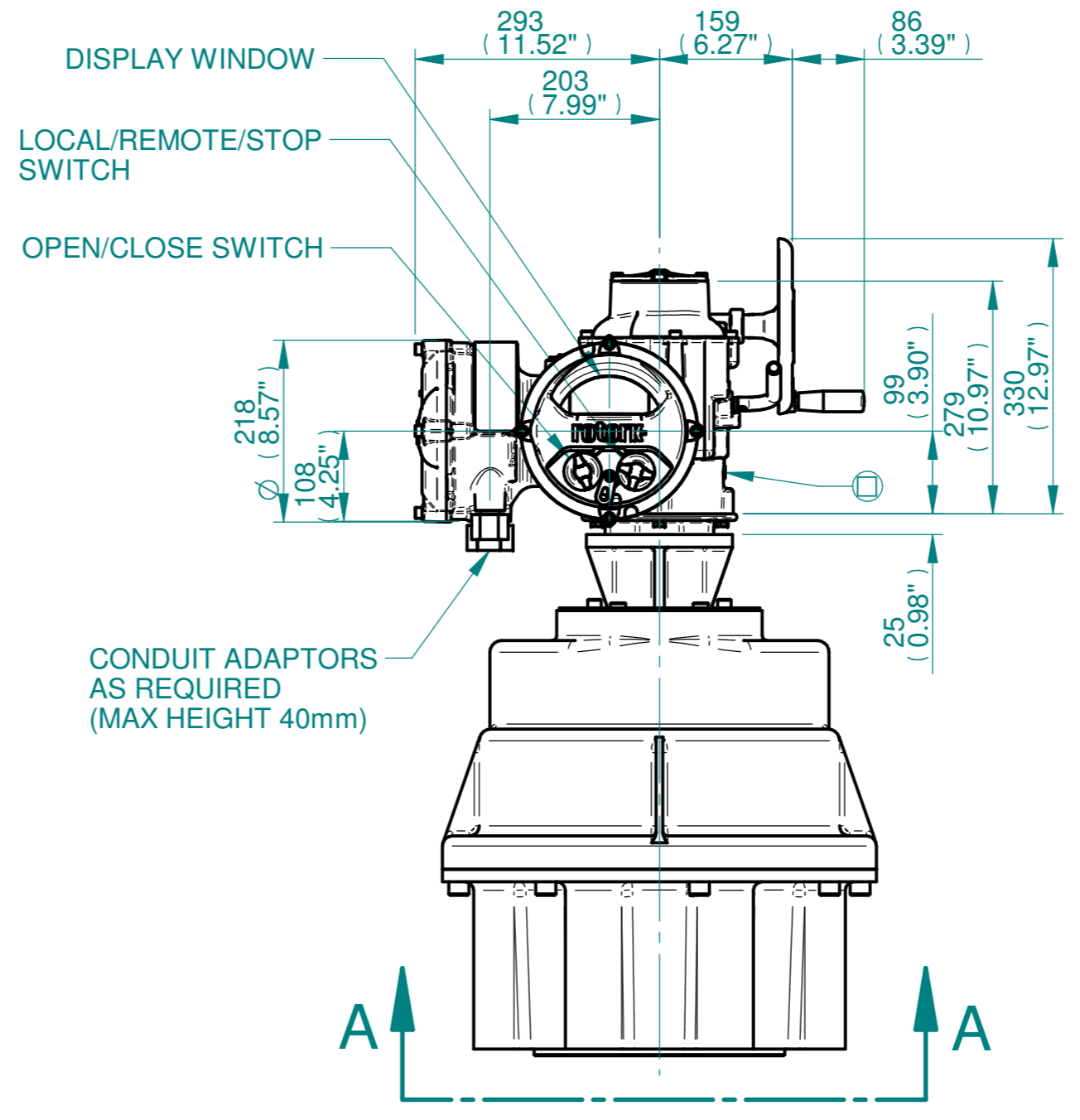
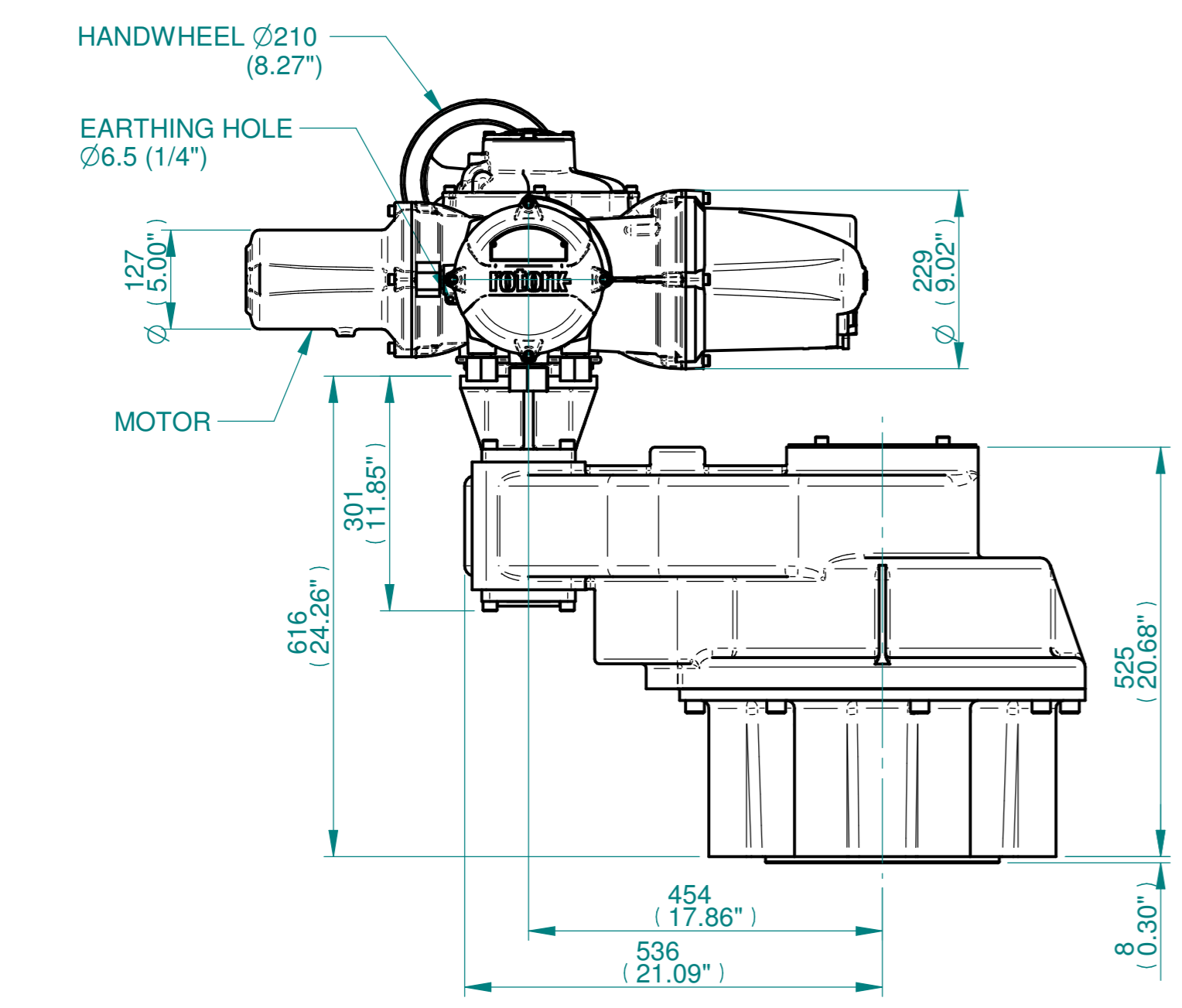


ISOMETRIC VIEW  
1:10

**NOTES:**  
 : DIMENSIONS WITH "\*" INDICATE COVER REMOVAL ALLOWANCE  
 : ELECTRONICS COVER OPTION "\*" WILL VARY DEPENDING ON CONFIGURATION  
 : NETT WEIGHT = 452kg/996lbs  
 : = OIL FILLER/DRAIN PLUG  
 : THE INTERFACE PROVIDED FOR MOUNTING THE ACTUATOR OR SECOND STAGE GEARBOX ONTO THE VALVE SHOULD CONFORM TO GOOD ENGINEERING PRACTICES, ENSURING ADEQUATELY TOLERANCED LIMITS FOR PARALLELISM, PERPENDICULARITY AND CONCENTRICITY.  
 : ROTORK CANNOT BE HELD LIABLE FOR DAMAGE TO OUR EQUIPMENT CAUSED BY EXCESSIVE LOADING FROM COVER TUBES. (SEE ALSO PUB000-124)



	Hole 1	Hole 2	Hole 3	Hole 4
Size	As Required	As Required	As Required	As Required
Plugged	As Required	As Required	As Required	As Required
Gland	As Required	As Required	As Required	As Required



3D Models are available in various formats under the same drawing number



Rotork Controls Limited  
Bath, BA1 3JQ, England.  
Telephone 01225-733200

Actuator Size: IQ19/20/25, IS16		Gearbox output flange options								Maximum Bore & Key			
Title	IQ19/20/25, SIDE HANDWHEEL, IS16, F40, FA40, Ratios 10:1, 12:1 & 15:1 Installation Details	Designation	F40	-	-	-	FA40	-	-	-	Key form	$\varnothing$ Bore	Key size
Drawn	DH	No. Holes	8	-	-	-	8	-	-	-	Rectangle (BS4235)	130	32 x 18
Checked	JBA	Hole size	M36	-	-	-	11/4" UNC	-	-	-	-	-	-
Date	MARCH 19	PCD	406	-	-	-	16"	-	-	-	-	-	-
Ref	SALES	Project Ref	QUOTATION	-	-	-	-	-	-	-	-	-	-

Issue	Description
1	FIRST ISSUE
Scale: 1:7.5	
THIRD ANGLE PROJECTION	
A2	Drawing Number Issue No Sheet No
I12SHWIS16STD	1 1 of 1

1 2 3 4 5 6 7 8 9 10 11 12