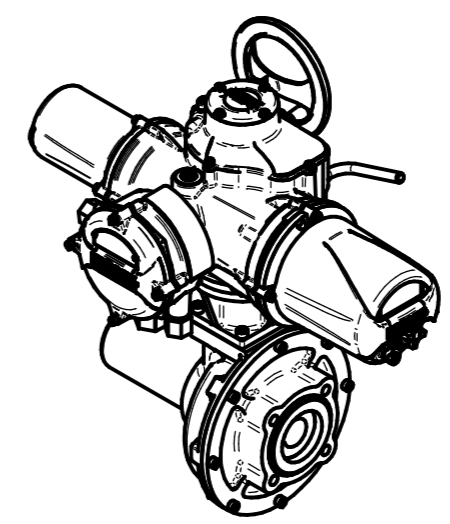
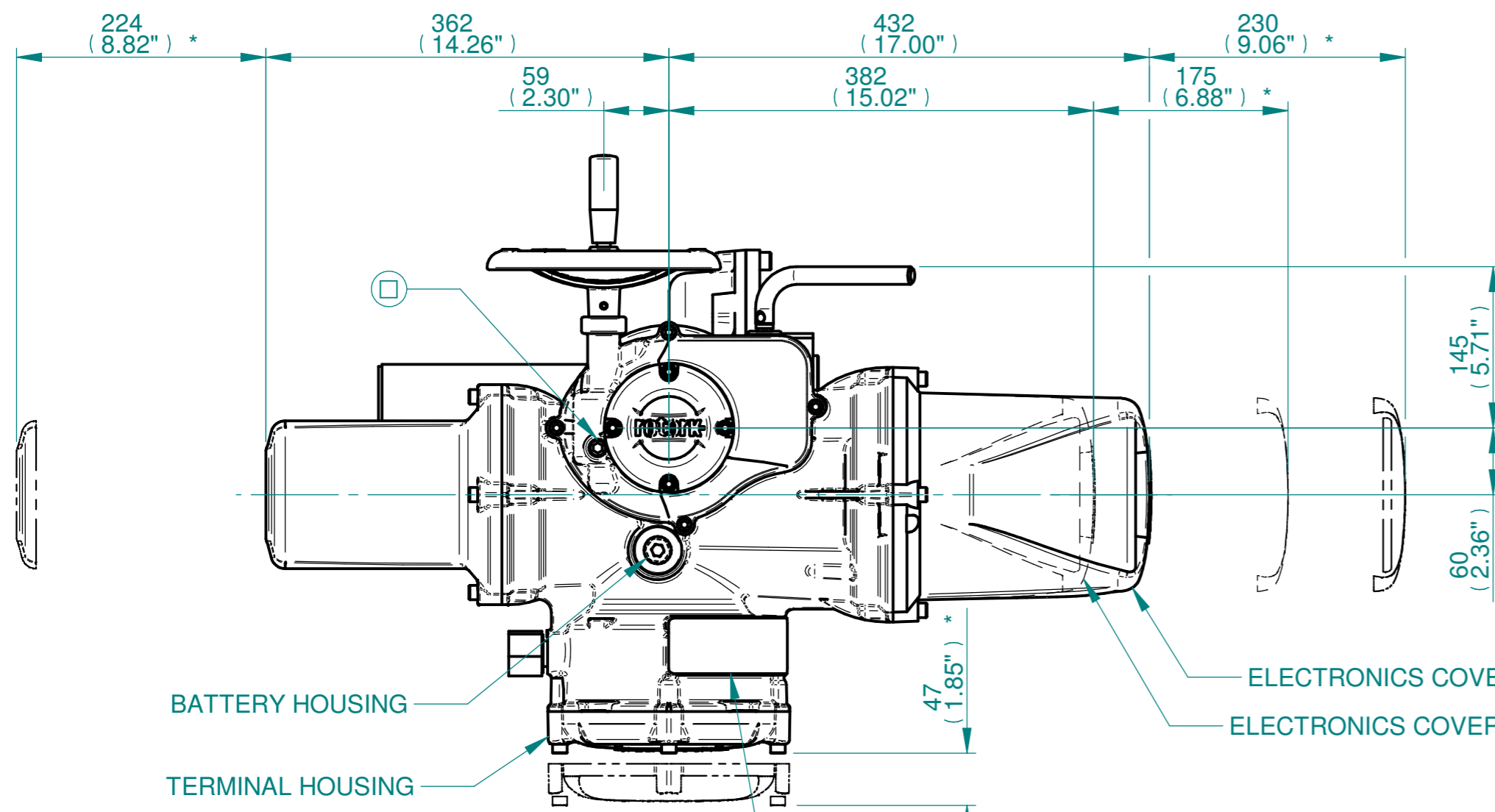
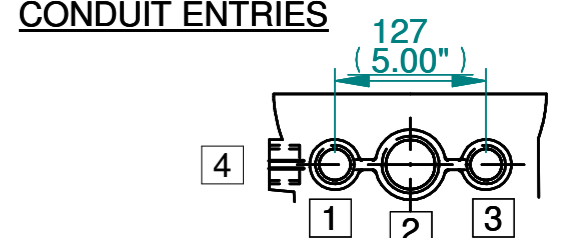


H  
G  
F  
E  
D  
C  
B  
A

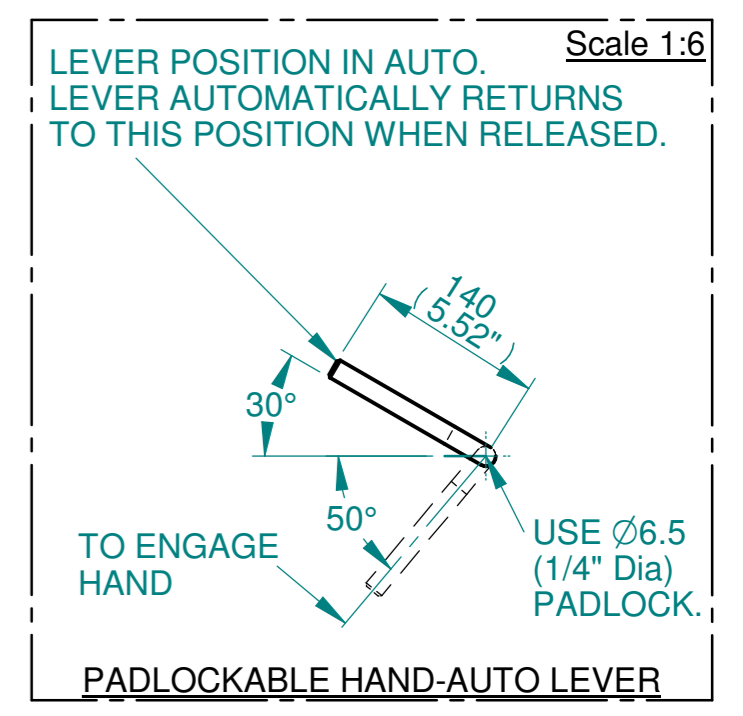
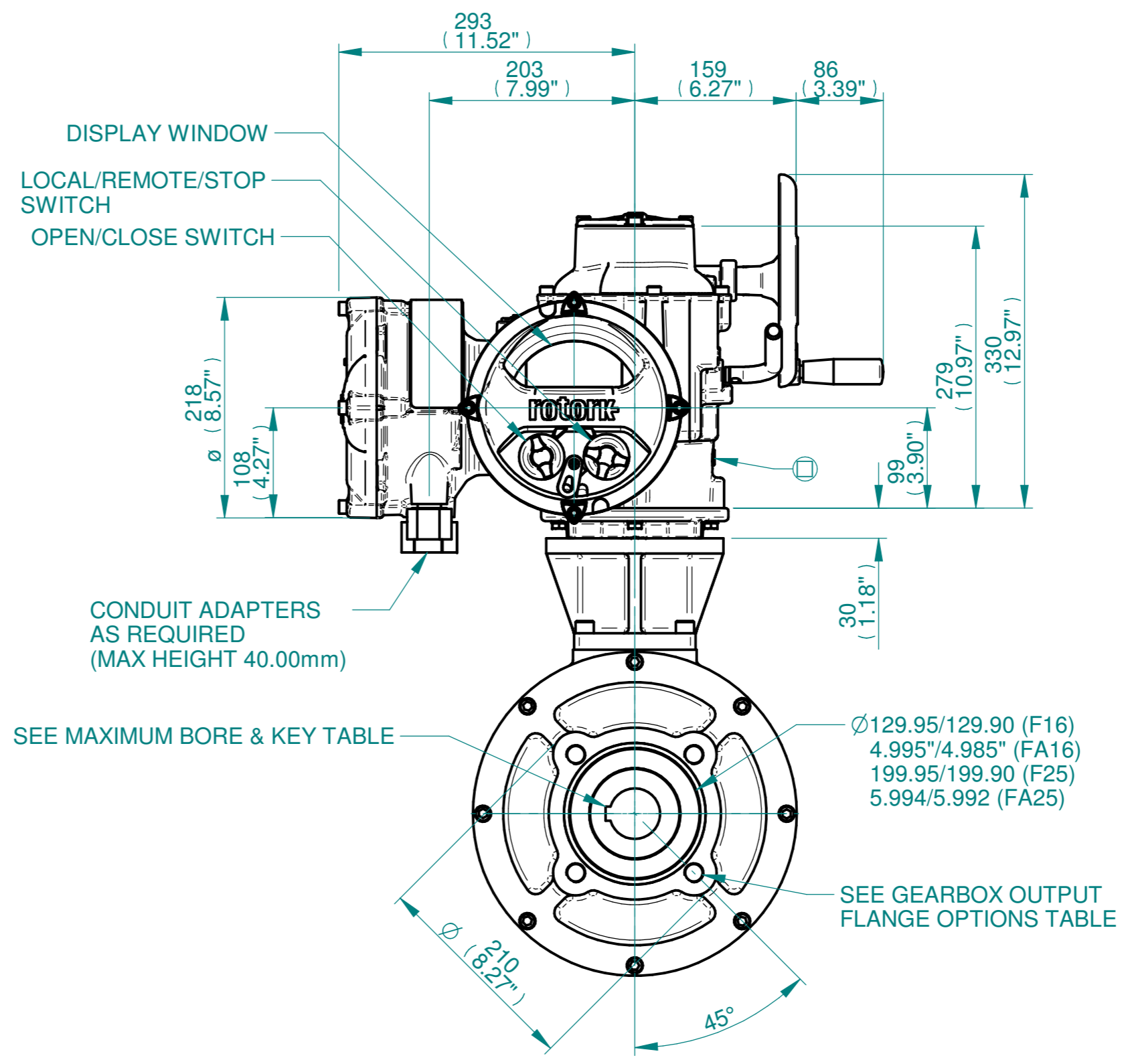
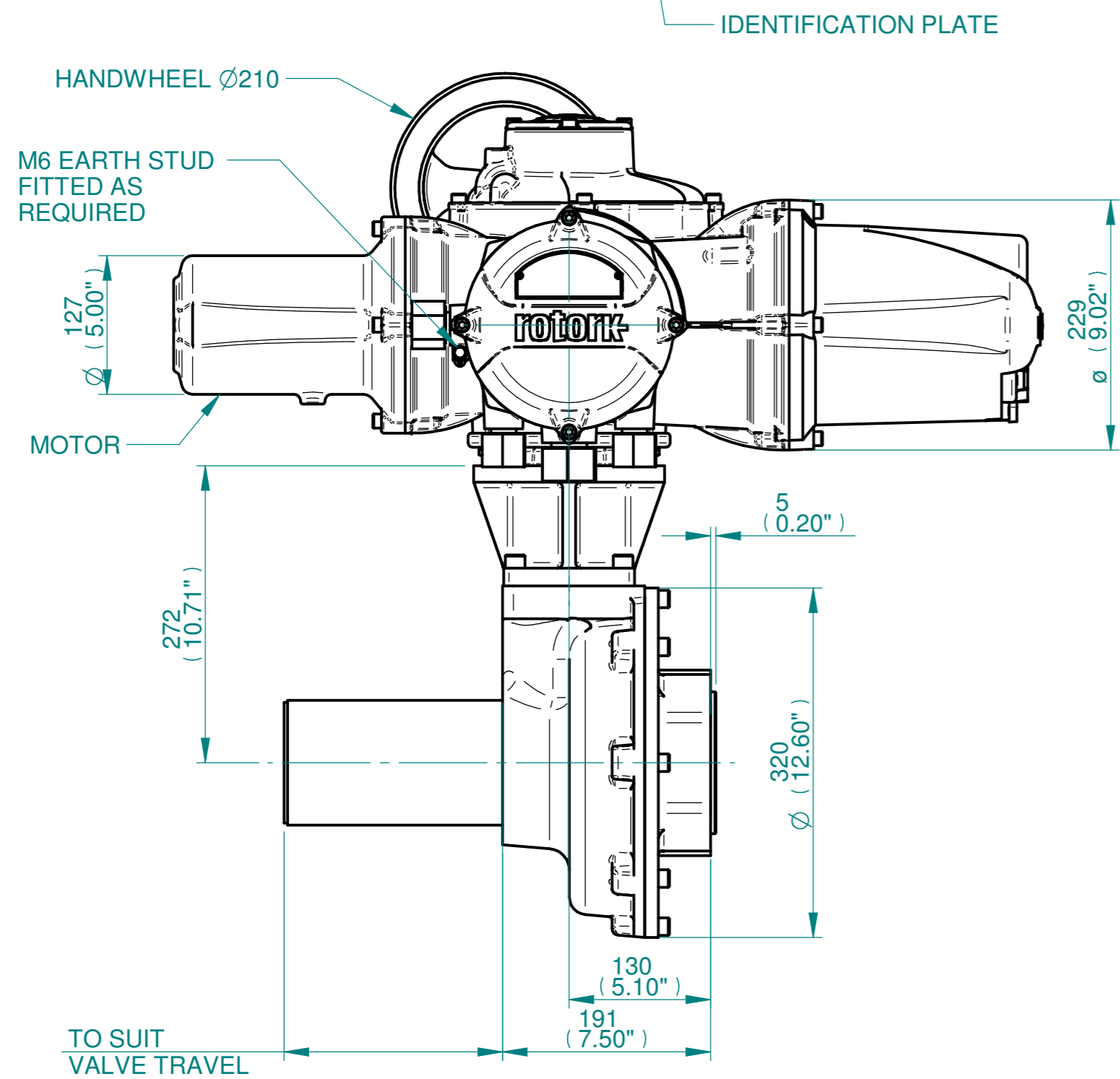


ISOMETRIC VIEW  
(SCALE 1:12)

**NOTES:**  
 :DIMENSIONS WITH "\*" INDICATE COVER REMOVAL ALLOWANCE  
 :ELECTRONICS COVER OPTION "\*" WILL VARY DEPENDING ON CONFIGURATION  
 :NETT WEIGHT = F16:109kg/240lbs, F25:115kg/254lbs  
 : = OIL FILLER/DRAIN PLUG  
 :THE INTERFACE PROVIDED FOR MOUNTING THE ACTUATOR OR SECOND STAGE GEARBOX ONTO THE VALVE SHOULD CONFORM TO GOOD ENGINEERING PRACTICES, ENSURING ADEQUATELY TOLERANCED LIMITS FOR PARALLELISM, PERPENDICULARITY AND CONCENTRICITY.  
 :ROTORK CANNOT BE HELD LIABLE FOR DAMAGE TO OUR EQUIPMENT CAUSED BY EXCESSIVE LOADING FROM COVER TUBES. (SEE ALSO PUB000-124)



	Hole 1	Hole 2	Hole 3	Hole 4
Size	As Required	As Required	As Required	As Required
Plugged	As Required	As Required	As Required	As Required
Gland	As Required	As Required	As Required	As Required



**rotork**  
www.rotork.com  
Rotork Controls Limited  
Bath, BA1 3JQ, England.  
Telephone 01225-733200

Actuator Size: IQ20/25, IB8, F16/F25/FA16/FA25		Gearbox output flange options								Maximum Bore & Key		
Title IQ20/25, SIDE HANDWHEEL, IB8, F16/F25/FA16/FA25, Ratios 3:1,4:1 & 6:1 Installation Details	Designation	F16	F25	-	-	FA16	FA25	-	-	Key form	Ø Bore	Key size
	No. Holes	4	8	-	-	4	8	-	-	Rectangle (BS4235)	68	20 X 12
Drawn JLF Checked NJC Date 11-MAR-15	Hole size	M20	M16	-	-	3/4" UNC	5/8" UNC	-	-	Rectangle (ANSI B17.1)	2-5/8"	5/8 X 7/16"
Ref SALES Project Ref QUOTATION	PCD	165	254	-	-	6.5"	10"	-	-	Square (ANSI B17.1)	2-1/2"	5/8"

Issue	Description
3	F14 Base change

Scale: 1:5 THIRD ANGLE PROJECTION

Drawing Number	Issue No	Sheet No
I12SHWIB8STD	3	1 of 1

1 2 3 4 5 6 7 8 9 10 11 12