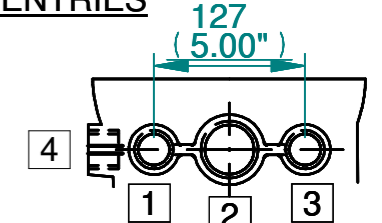
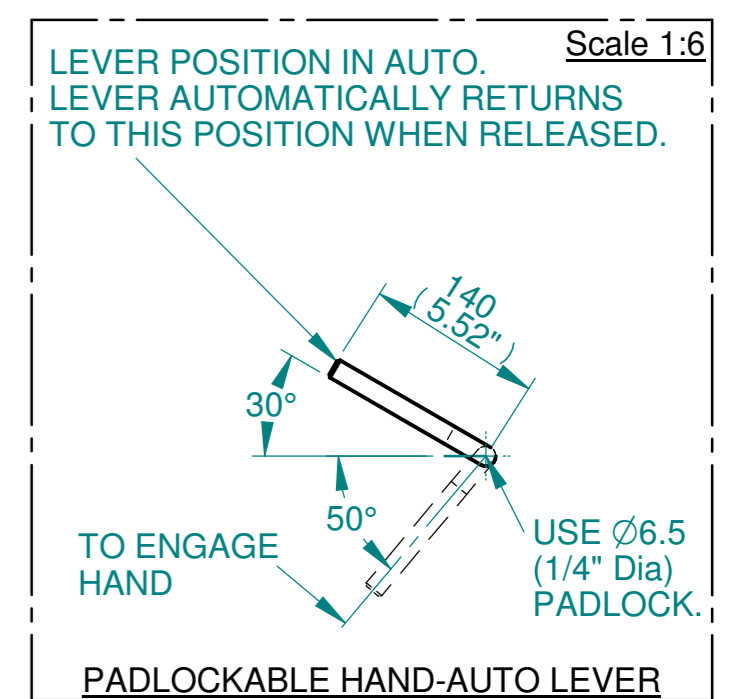
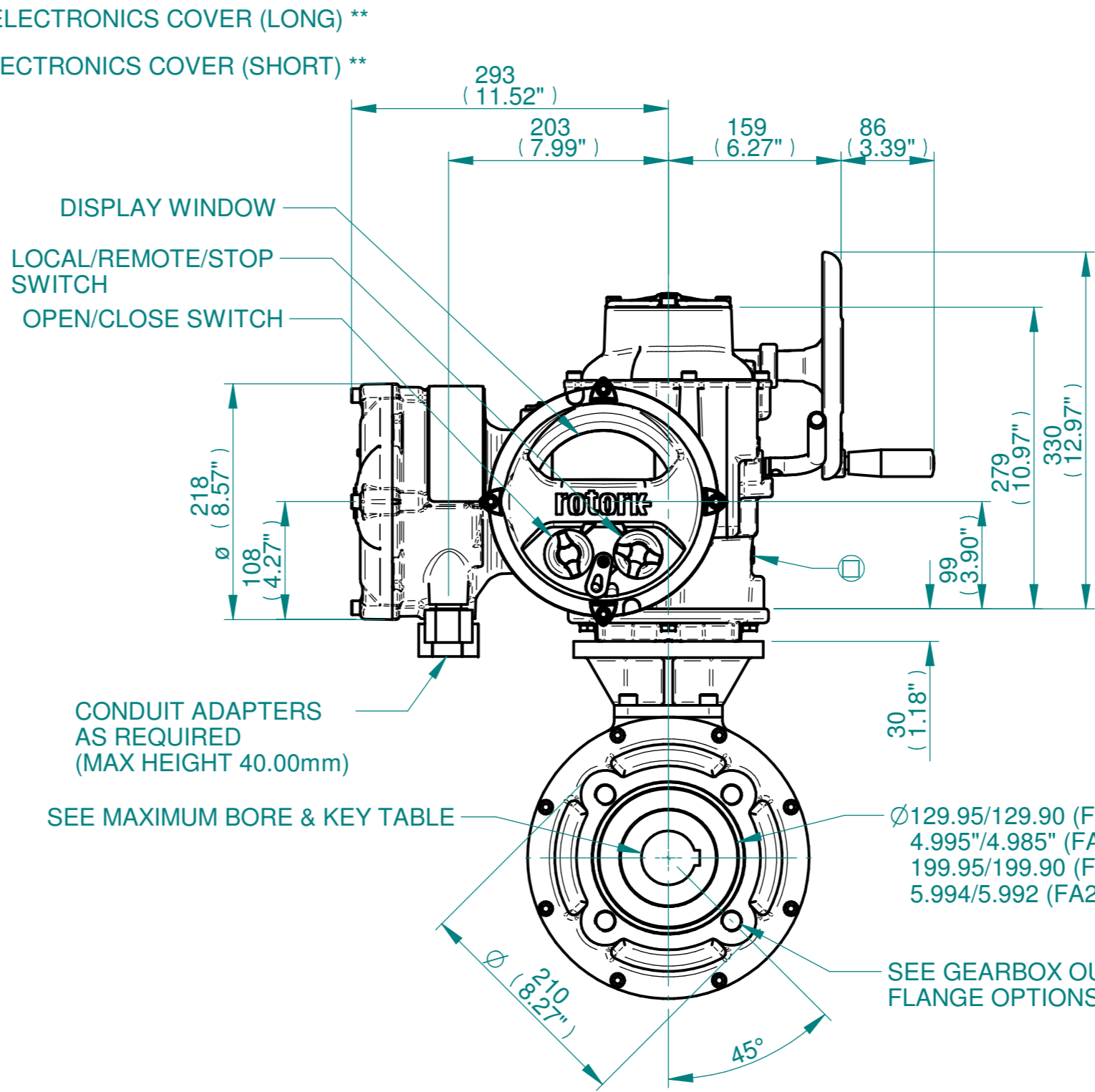
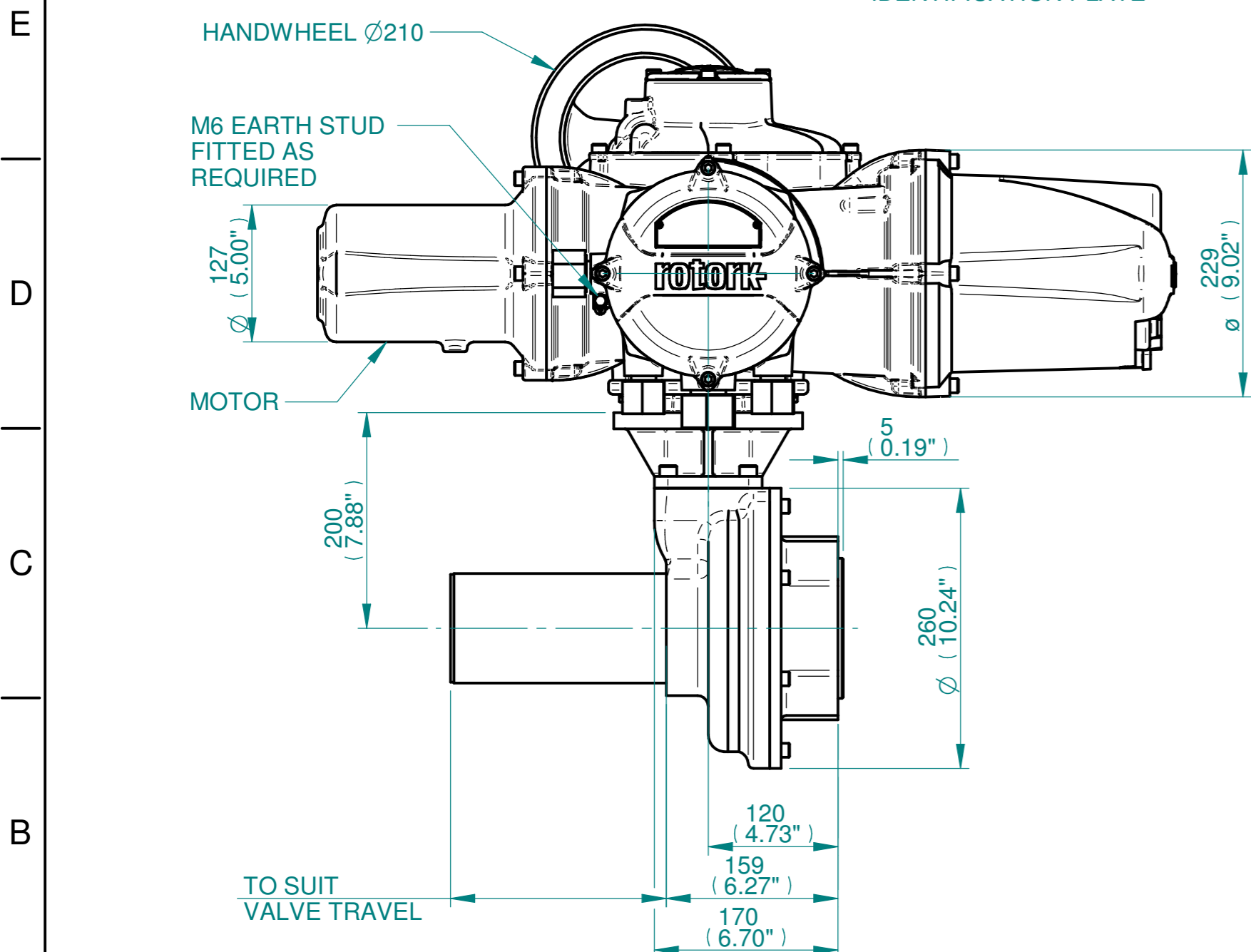


ISOMETRIC VIEW
(SCALE 1:12)

NOTES:
 :DIMENSIONS WITH "*" INDICATE COVER REMOVAL ALLOWANCE
 :ELECTRONICS COVER OPTION "****" WILL VARY DEPENDING ON CONFIGURATION
 :NETT WEIGHT = F16:89kg/196lbs, F25:99kg/218lbs
 : = OIL FILLER/DRAIN PLUG
 :THE INTERFACE PROVIDED FOR MOUNTING THE ACTUATOR OR SECOND STAGE GEARBOX ONTO THE VALVE SHOULD CONFORM TO GOOD ENGINEERING PRACTICES, ENSURING ADEQUATELY TOLERANCED LIMITS FOR PARALLELISM, PERPENDICULARITY AND CONCENTRICITY.
 :ROTORK CANNOT BE HELD LIABLE FOR DAMAGE TO OUR EQUIPMENT CAUSED BY EXCESSIVE LOADING FROM COVER TUBES. (SEE ALSO E156E)
CONDUIT ENTRIES



	Hole 1	Hole 2	Hole 3	Hole 4
Size	As Required	As Required	As Required	As Required
Plugged	As Required	As Required	As Required	As Required
Gland	As Required	As Required	As Required	As Required



Actuator Size:	Gearbox output flange options										Maximum Bore & Key		
	Designation	F16	F25	-	-	FA16	FA25	-	-	Key form	Ø Bore	Key size	
Title IQ 20/25, SIDE HANDWHEEL, IB7, F16/FA16/F25/FA25 Ratios 3:1, 4:1 & 6:1, Installation Details	No. Holes	4	8	-	-	4	8	-	-	Rectangle (BS4235)	68	20 X 12	
Drawn JLF Checked NJC Date 11-MAR-15	Hole size	M20	M16	-	-	3/4" UNC	5/8" UNC	-	-	Rectangle (ANSI B17.1)	2-5/8"	5/8 X 7/16"	
Ref SALES Project Ref QUOTATION	PCD	165	254	-	-	6.5"	10"	-	-	Square (ANSI B17.1)	2-1/2"	5/8"	

Issue	Description
3	F14 Base change

Scale: 1:5 THIRD ANGLE PROJECTION

Drawing Number	Issue No	Sheet No
I12SHWIB7STD	3	1 of 1

rotork
www.rotork.com
Rotork Controls Limited
Bath, BA1 3JQ, England.
Telephone 01225-733200