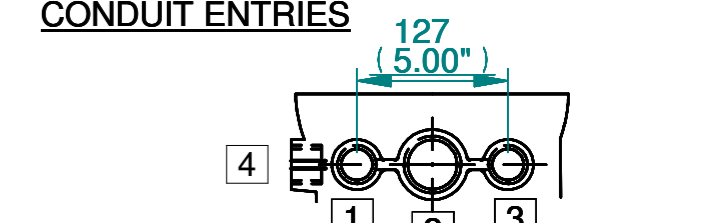
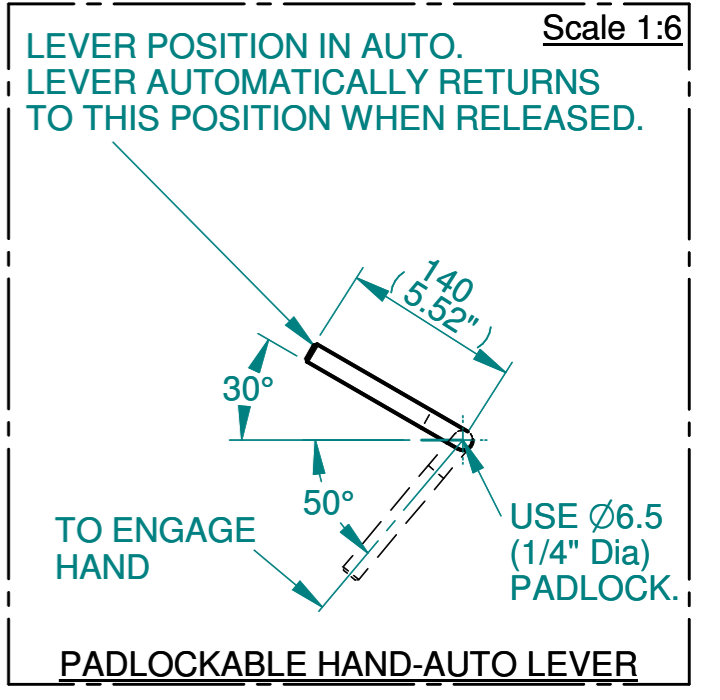
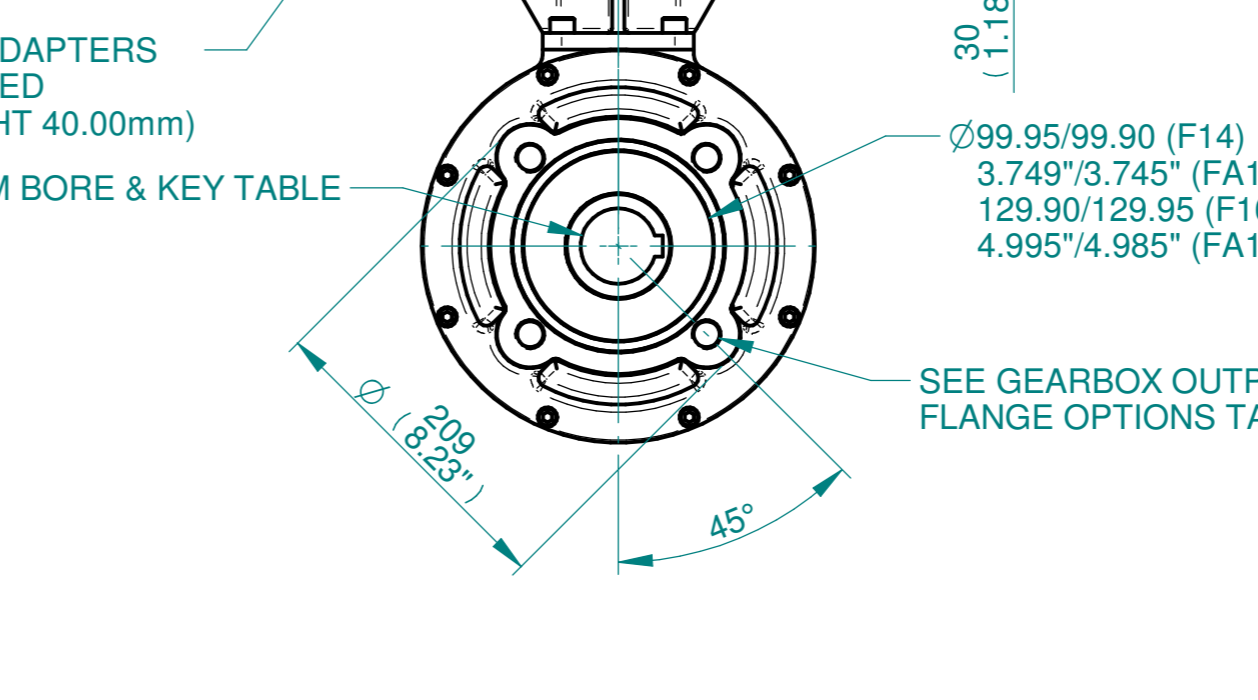
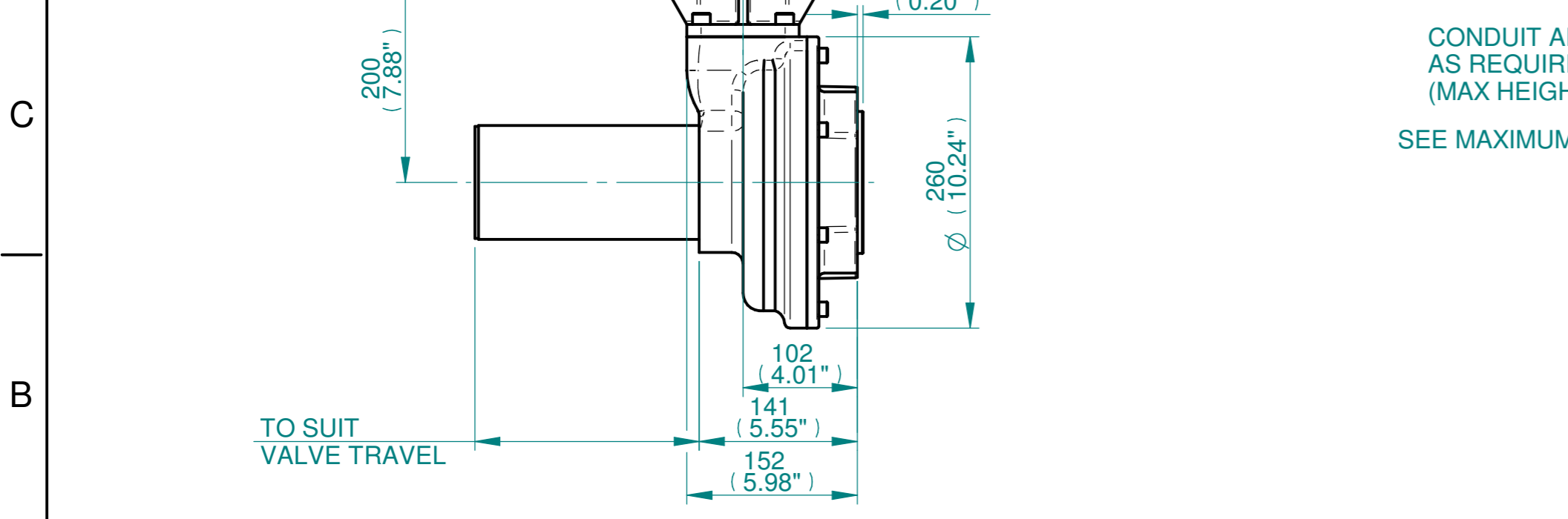
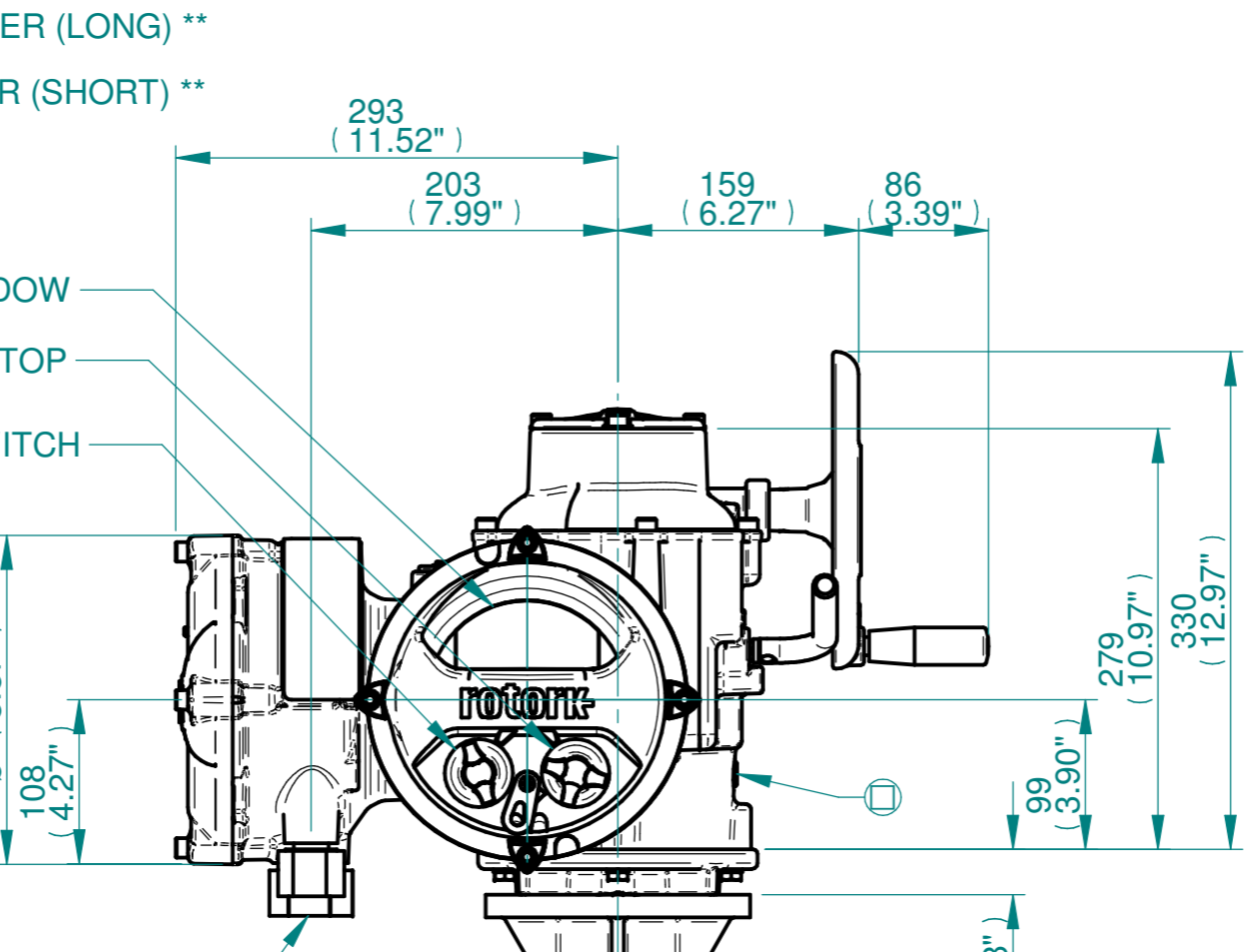
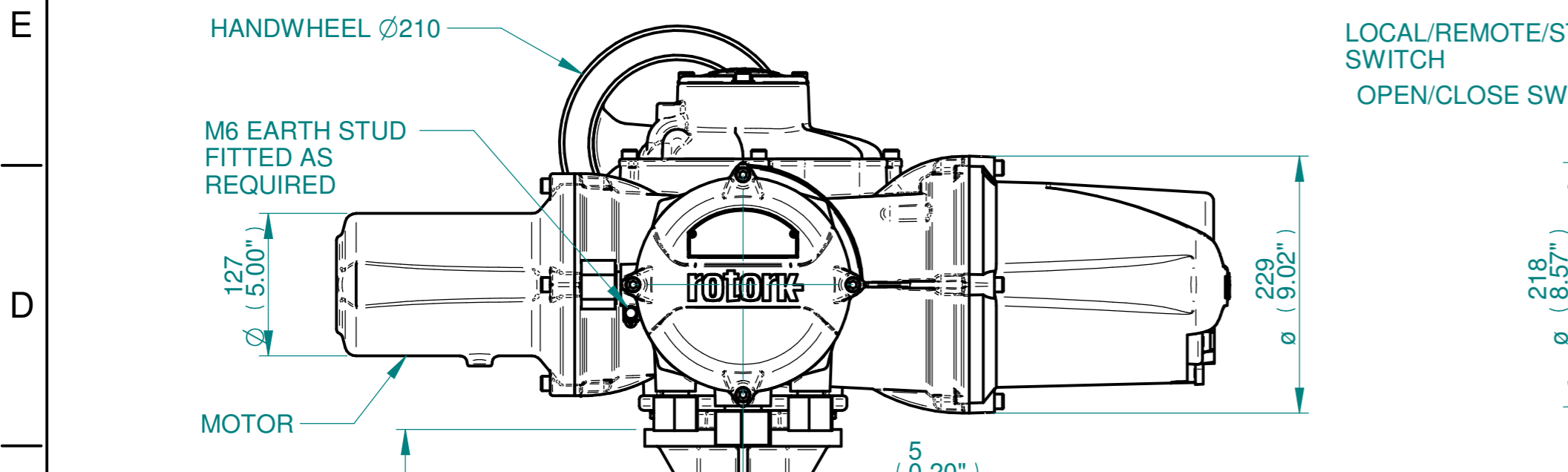
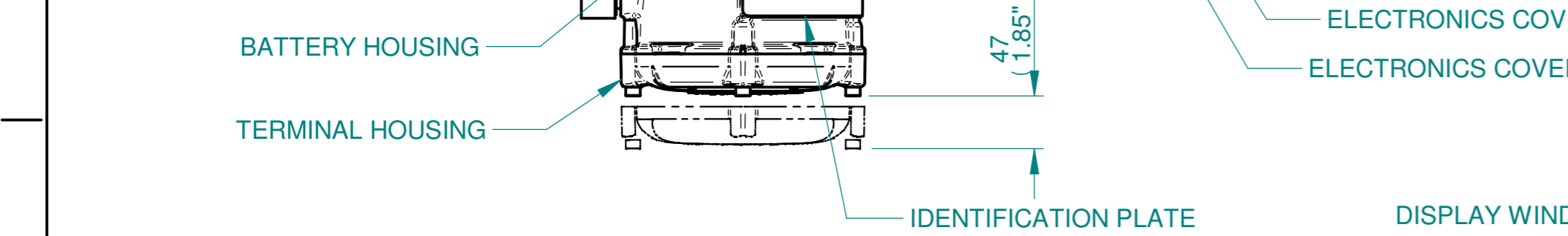


ISOMETRIC VIEW (SCALE 1:12)

NOTES:
 :DIMENSIONS WITH "*" INDICATE COVER REMOVAL ALLOWANCE
 :ELECTRONICS COVER OPTION "****" WILL VARY DEPENDING ON CONFIGURATION
 :NETT WEIGHT = F14:82kg/181lbs, F16:86kg/190lbs
 : = OIL FILLER/DRAIN PLUG
 :THE INTERFACE PROVIDED FOR MOUNTING THE ACTUATOR OR SECOND STAGE GEARBOX ONTO THE VALVE SHOULD CONFORM TO GOOD ENGINEERING PRACTICES, ENSURING ADEQUATELY TOLERANCED LIMITS FOR PARALLELISM, PERPENDICULARITY AND CONCENTRICITY.
 :ROTORK CANNOT BE HELD LIABLE FOR DAMAGE TO OUR EQUIPMENT CAUSED BY EXCESSIVE LOADING FROM COVER TUBES. (SEE ALSO PUB000-124)



	Hole 1	Hole 2	Hole 3	Hole 4
Size	As Required	As Required	As Required	As Required
Plugged	As Required	As Required	As Required	As Required
Gland	As Required	As Required	As Required	As Required



Actuator Size: IQ20/25, IB6, F14/F16/FA14/FA16		Gearbox output flange options								Maximum Bore & Key			
rotork www.rotork.com Rotork Controls Limited Bath, BA1 3JQ, England. Telephone 01225-733200	Title IQ20/25, SIDE HANDWHEEL, IB6, F14/F16/FA14/FA16, Ratios 3:1,4:1 & 6:1, Installation Details Drawn JLF Checked NJC Date 11-MAR-15 Ref SALES Project Ref QUOTATION	Designation	F14	F16	-	-	FA14	FA16	-	-	Key form	Ø Bore	Key size
		No. Holes	4	4	-	-	4	4	-	-	Rectangle (BS4235)	52	16 X 10
		Hole size	M16	M20	-	-	5/8" UNC	3/4" UNC	-	-	Rectangle (ANSI B17.1)	2"	1/2 X 3/8"
		PCD	140	165	-	-	5.5"	6.5"	-	-	Square (ANSI B17.1)	1-7/8"	1/2"

Issue	Description
3	F14 Base change

Scale: 1:5 THIRD ANGLE PROJECTION

Drawing Number	Issue No	Sheet No
I12SHWIB6STD	3	1 of 1