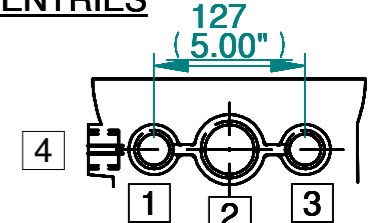


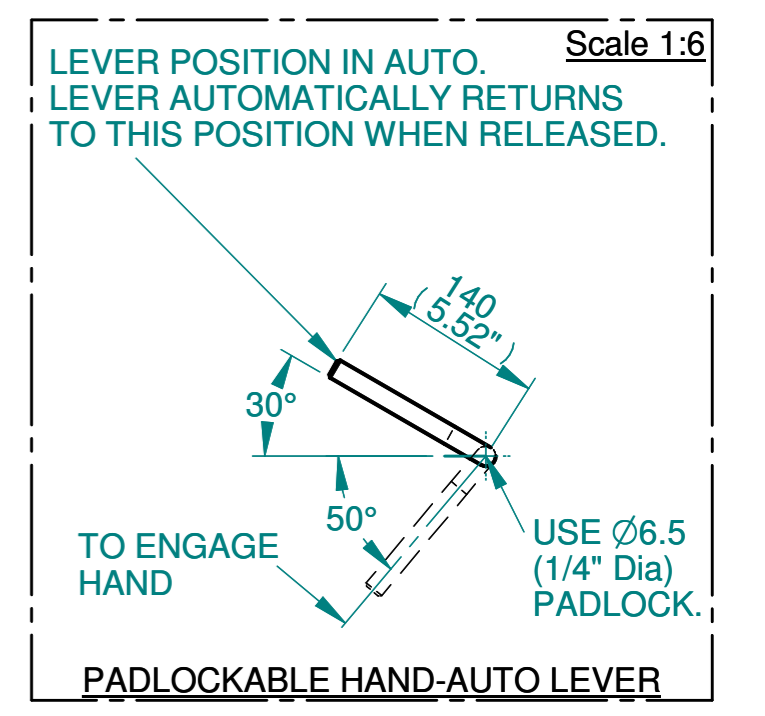
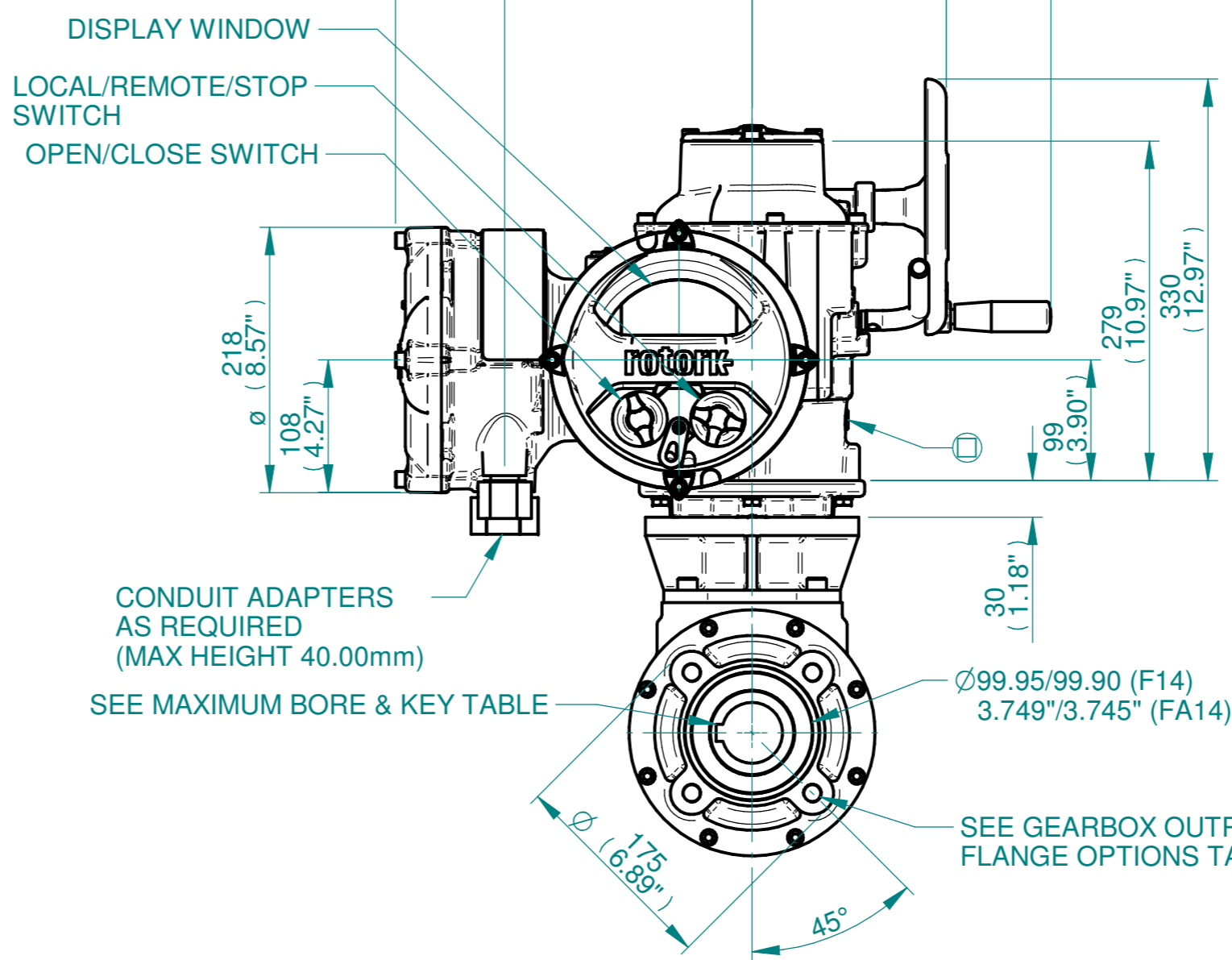
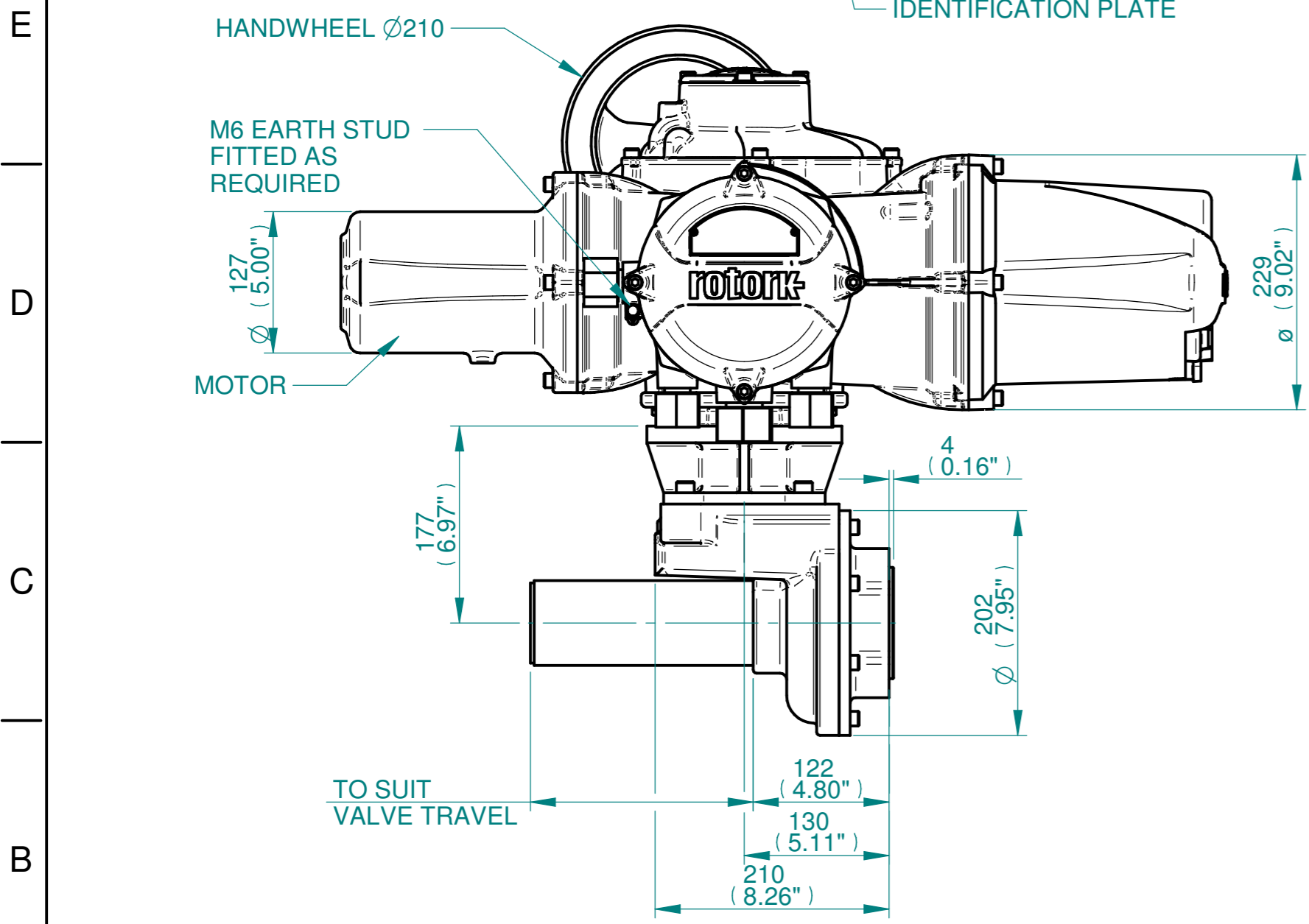
ISOMETRIC VIEW  
(SCALE 1:12)

**NOTES:**  
 :DIMENSIONS WITH "\*" INDICATE COVER REMOVAL ALLOWANCE  
 :ELECTRONICS COVER OPTION "\*\*\*\*" WILL VARY DEPENDING ON CONFIGURATION  
 :NETT WEIGHT = 79kg/174lbs  
 : = OIL FILLER/DRAIN PLUG  
 :THE INTERFACE PROVIDED FOR MOUNTING THE ACTUATOR OR SECOND STAGE GEARBOX ONTO THE VALVE SHOULD CONFORM TO GOOD ENGINEERING PRACTICES, ENSURING ADEQUATELY TOLERANCED LIMITS FOR PARALLELISM, PERPENDICULARITY AND CONCENTRICITY.  
 :ROTORK CANNOT BE HELD LIABLE FOR DAMAGE TO OUR EQUIPMENT CAUSED BY EXCESSIVE LOADING FROM COVER TUBES. (SEE ALSO PUB000-124)

**CONDUIT ENTRIES**



	Hole 1	Hole 2	Hole 3	Hole 4
Size	As Required	As Required	As Required	As Required
Plugged	As Required	As Required	As Required	As Required
Gland	As Required	As Required	As Required	As Required



**rotork**  
 www.rotork.com  
 Rotork Controls Limited  
 Bath, BA1 3JQ, England.  
 Telephone 01225-733200

Actuator Size: IQ20/25, IB3, F14/FA14		Gearbox output flange options								Maximum Bore & Key				
Title	IQ20/25, SIDE HANDWHEEL, IB3, F14/FA14, Ratios 1:1 Installation Details	Designation	F14	-	-	-	-	FA14	-	-	-	Key form	Ø Bore	Key size
Drawn	JLF	No. Holes	4	-	-	-	-	4	-	-	-	Rectangle (BS4235)	52	16 X 10
Checked	NJC	Hole size	M16	-	-	-	-	5/8" UNC	-	-	-	Rectangle (ANSI B17.1)	2"	1/2 X 3/8"
Date	19-MAR-15	PCD	140	-	-	-	-	5.5"	-	-	-	Square (ANSI B17.1)	1-7/8"	1/2"
Ref	SALES	Project Ref	QUOTATION											

Issue	Description
3	F14 Base change
Scale: 1:5	
THIRD ANGLE PROJECTION	
A2	Drawing Number Issue No Sheet No
I12SHWIB3STD	3 1 of 1