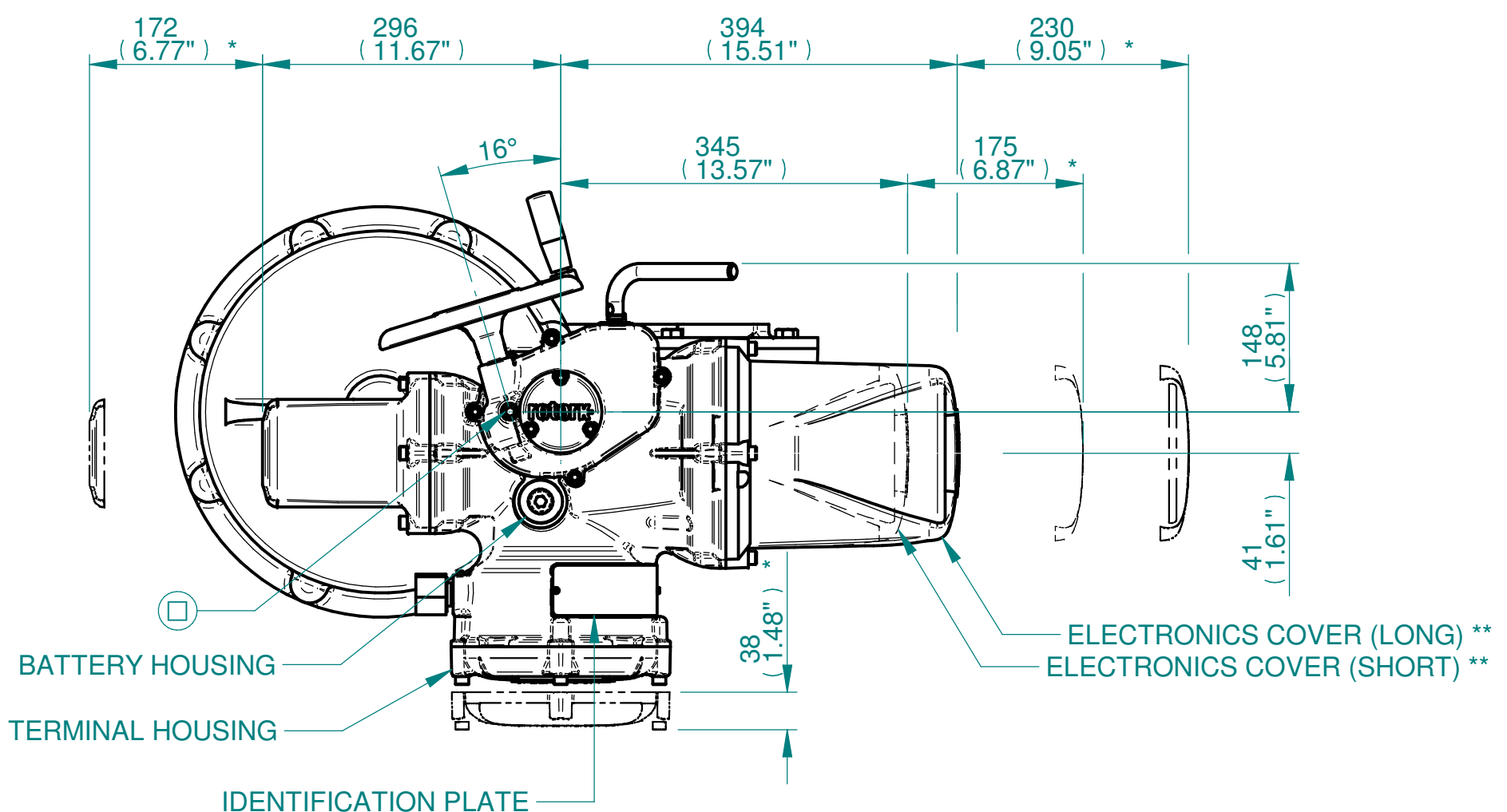


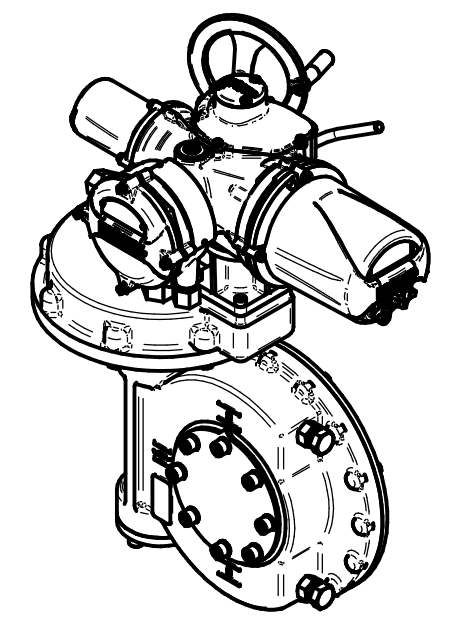
H
G
F
E
D
C
B
A



BATTERY HOUSING
TERMINAL HOUSING

ELECTRONICS COVER (LONG) **
ELECTRONICS COVER (SHORT) **

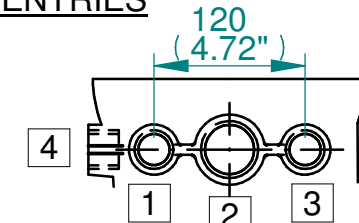
IDENTIFICATION PLATE



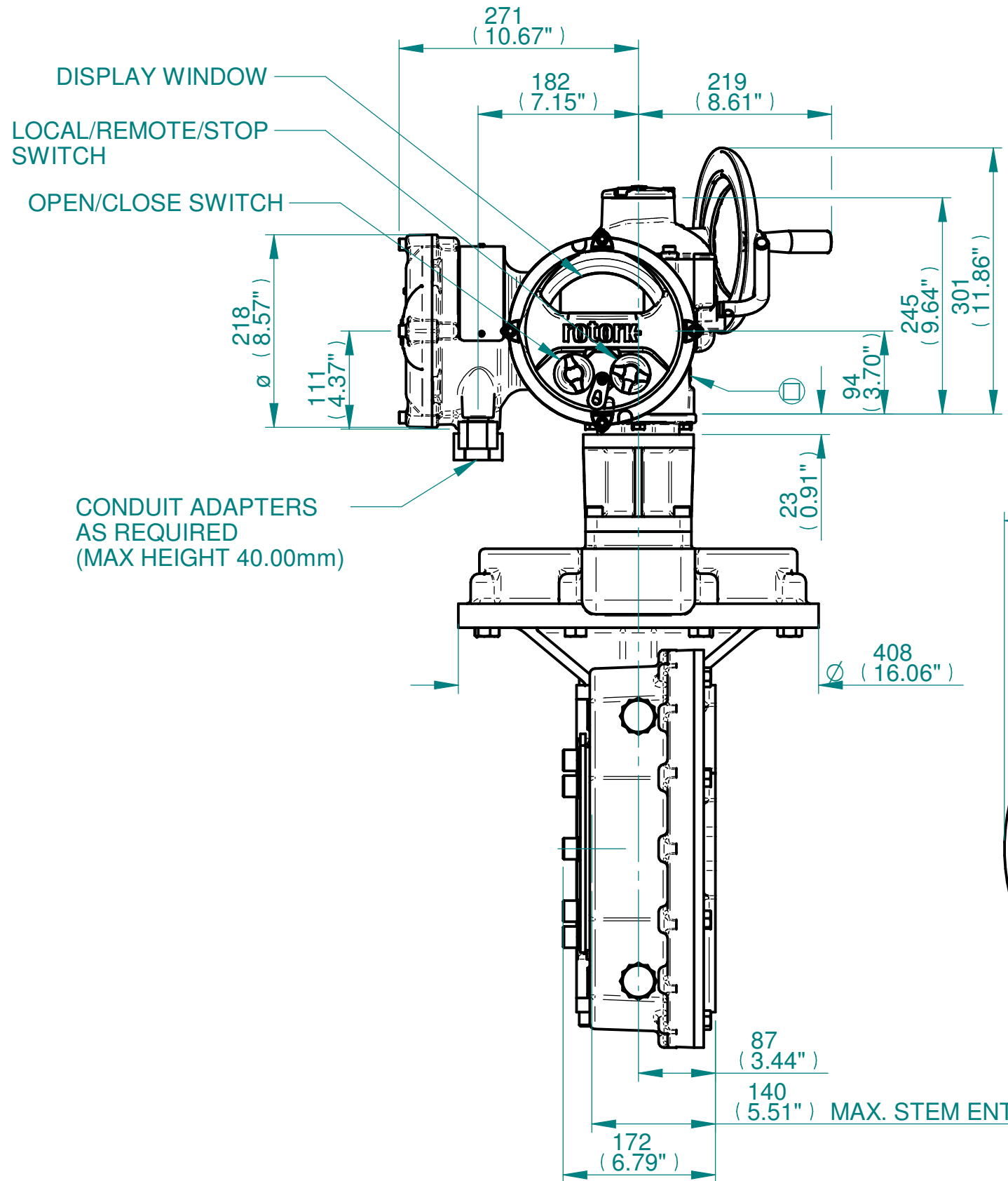
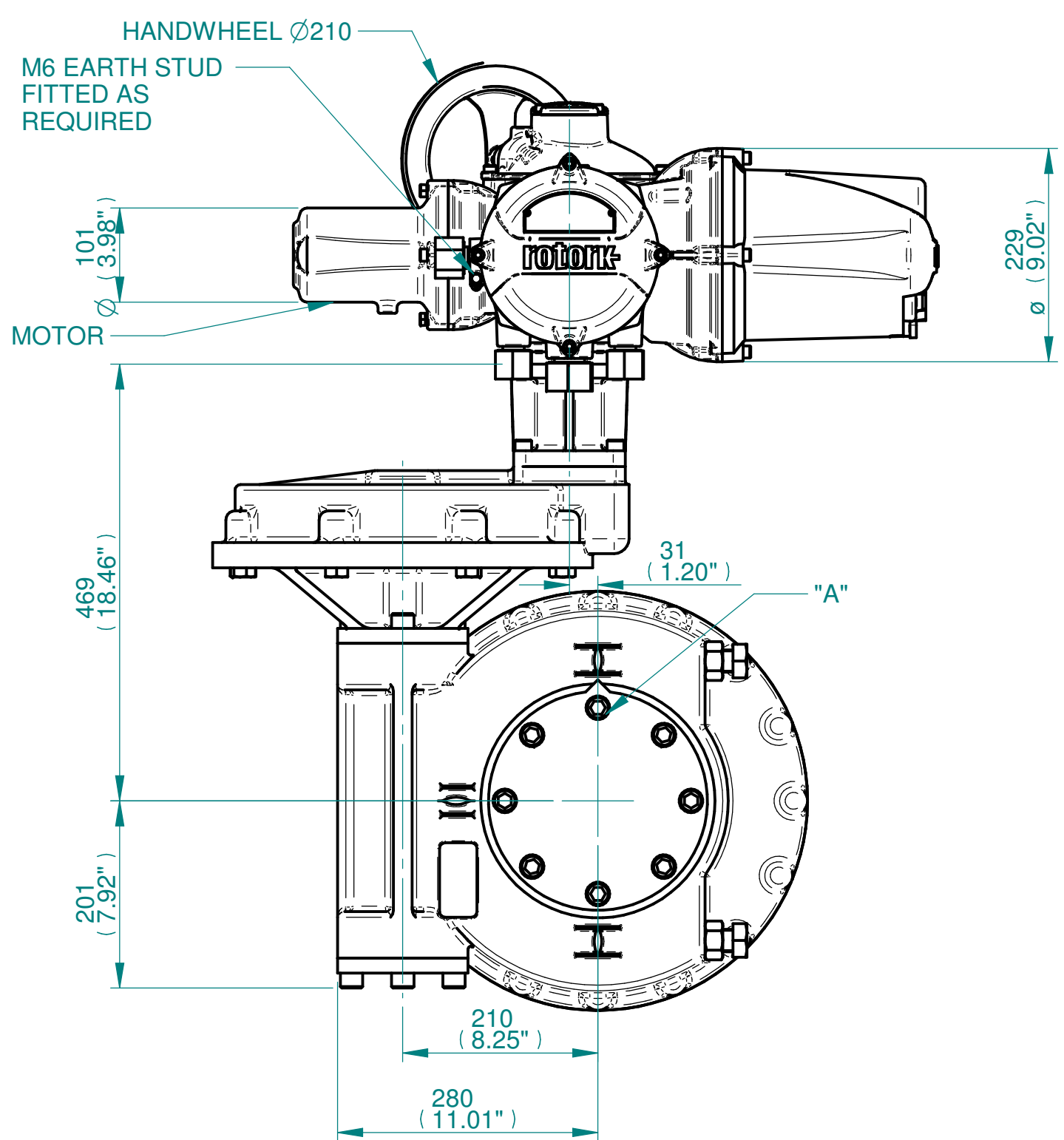
ISOMETRIC VIEW
(SCALE 1:12)

NOTES:
:DIMENSIONS WITH "*" INDICATE COVER REMOVAL ALLOWANCE
:ELECTRONICS COVER OPTION "*" WILL VARY DEPENDING ON CONFIGURATION
:NETT WEIGHT = 193kg/425lbs
: = OIL FILLER/DRAIN PLUG
:THE INTERFACE PROVIDED FOR MOUNTING THE ACTUATOR OR SECOND STAGE GEARBOX ONTO THE VALVE SHOULD CONFORM TO GOOD ENGINEERING PRACTICES, ENSURING ADEQUATELY TOLERANCED LIMITS FOR PARALLELISM, PERPENDICULARITY AND CONCENTRICITY.
:ROTORK CANNOT BE HELD LIABLE FOR DAMAGE TO OUR EQUIPMENT CAUSED BY EXCESSIVE LOADING FROM COVER TUBES. (SEE ALSO PUB000-124)

CONDUIT ENTRIES

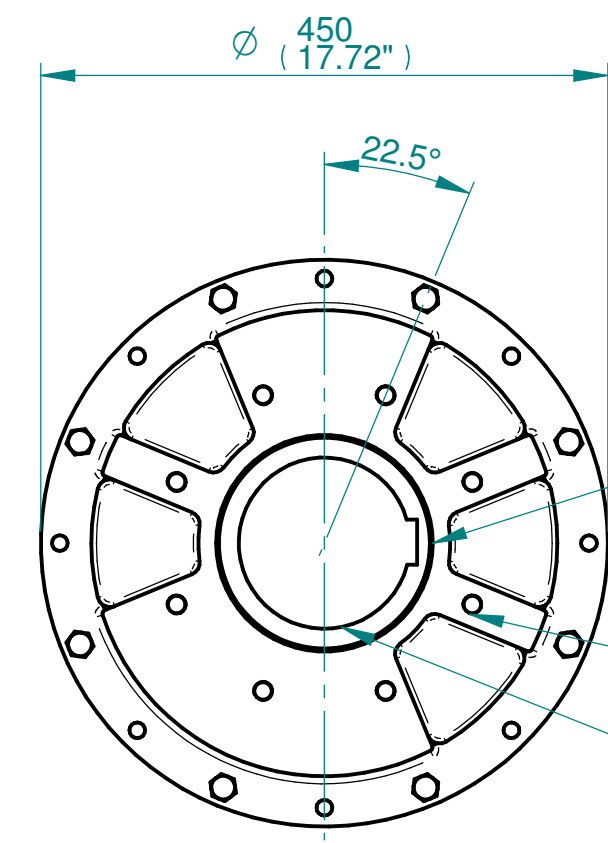
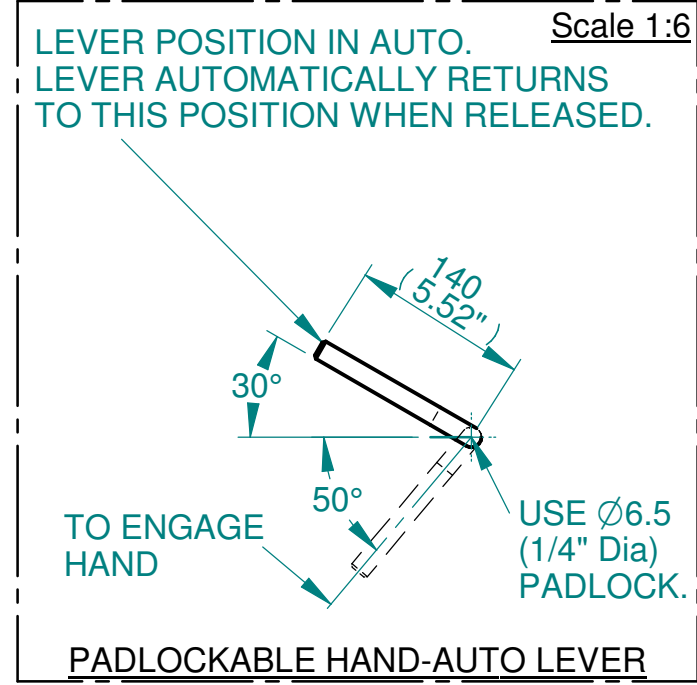


	Hole 1	Hole 2	Hole 3	Hole 4
Size	As Required	As Required	As Required	As Required
Plugged	As Required	As Required	As Required	As Required
Gland	As Required	As Required	As Required	As Required



DISPLAY WINDOW
LOCAL/REMOTE/STOP SWITCH
OPEN/CLOSE SWITCH

CONDUIT ADAPTERS AS REQUIRED (MAX HEIGHT 40.00mm)



N.B. KEYWAY POS. CAN BE MOVED IN 45° STEPS BY REMOVING 8 SCREWS MARKED "A" AND ROTATING OUTPUT SLEEVE
SEE GEARBOX OUTPUT FLANGE OPTIONS TABLE
SEE MAXIMUM BORE & KEY TABLE

3D Models are available in various formats under the same drawing number

rotork
www.rotork.com
Rotork Controls Limited
Bath, BA1 3JQ, England.
Telephone 01225-733200

Actuator Size: IQ10/12/18 IW72RH/MOW72RH		Gearbox output flange options								Maximum Bore & Key			
Title	IQ10/12/18, SIDE HANDWHEEL, IW72RH/MOW72RH, F25/F30/FA25/FA30, Ratios 480:1 - 720:1 Installation Details	Designation	F25	F30	-	-	FA25	FA30	-	-	Key form	Ø Bore	Key size
Drawn	TED	No. Holes	8	8	-	-	8	8	-	-	Rectangle (BS4235)	136	36 X 20
Checked	NJC	Hole size	M16	M20	-	-	5/8" UNC	3/4" UNC	-	-	Rectangle (ANSI B17.1)	5-1/4"	1-1/4 X 7/8"
Date	18-AUG-14	PCD	254	298	-	-	10"	11-3/4"	-	-	Square (ANSI B17.1)	4-7/8"	1-1/4" SQ
Ref	SALES	Project Ref	QUOTATION										

Issue	Description
1	First Issue

Scale: 1:6 THIRD ANGLE PROJECTION

Drawing Number	Issue No	Sheet No
I1SHWIW72RHSTD	2	1 of 1

1 2 3 4 5 6 7 8 9 10 11 12