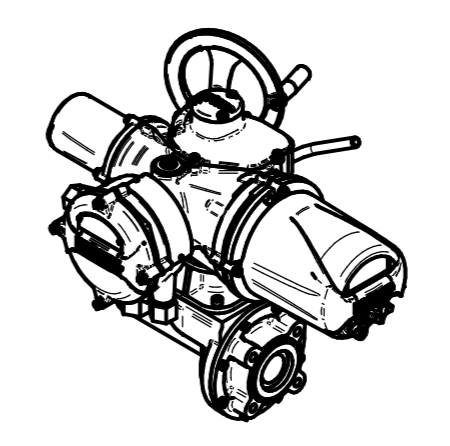
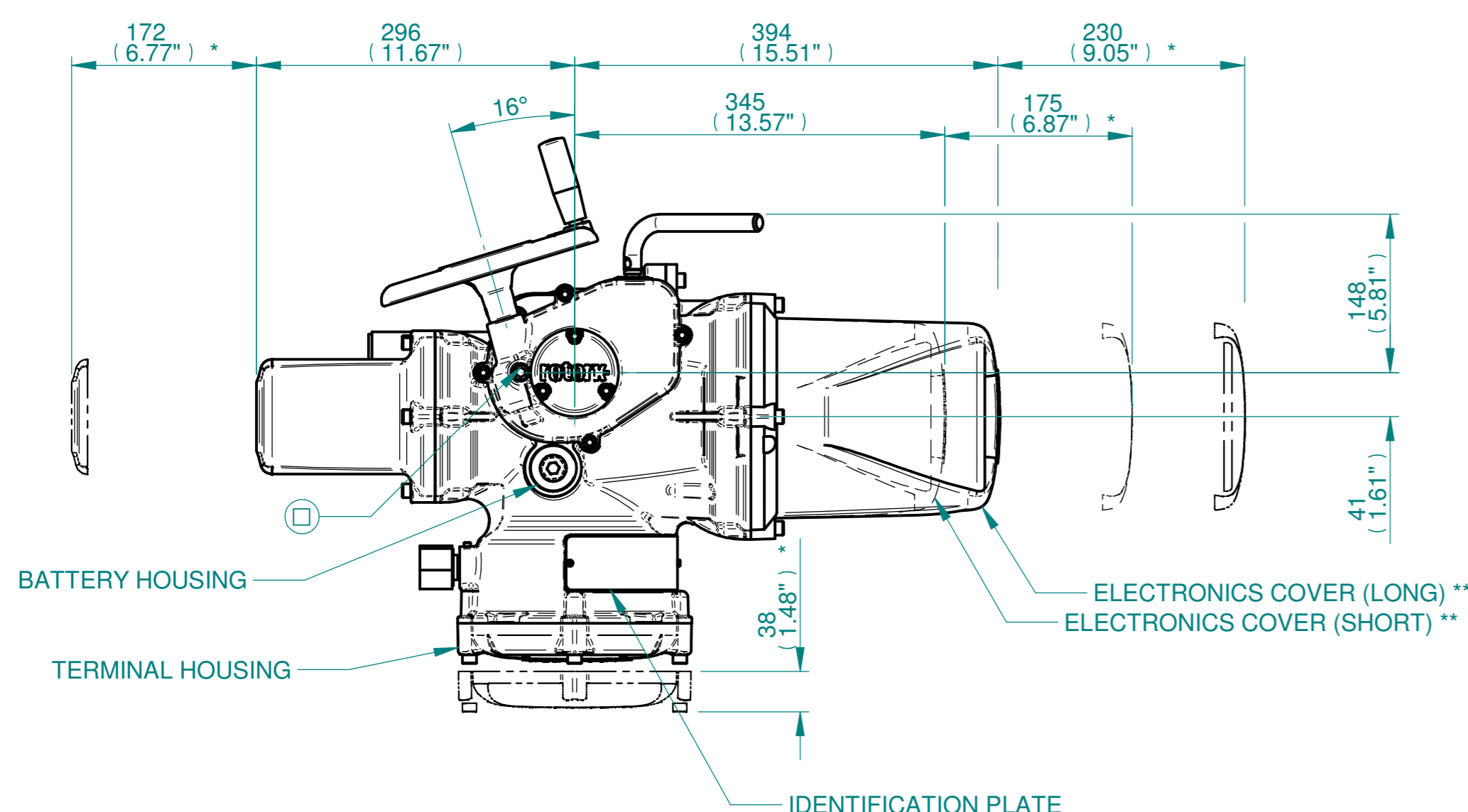


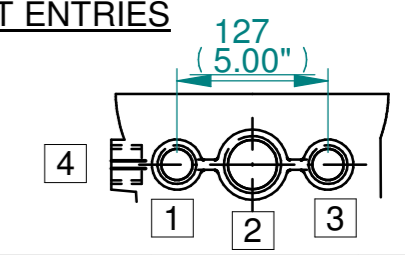
H  
G  
F  
E  
D  
C  
B  
A



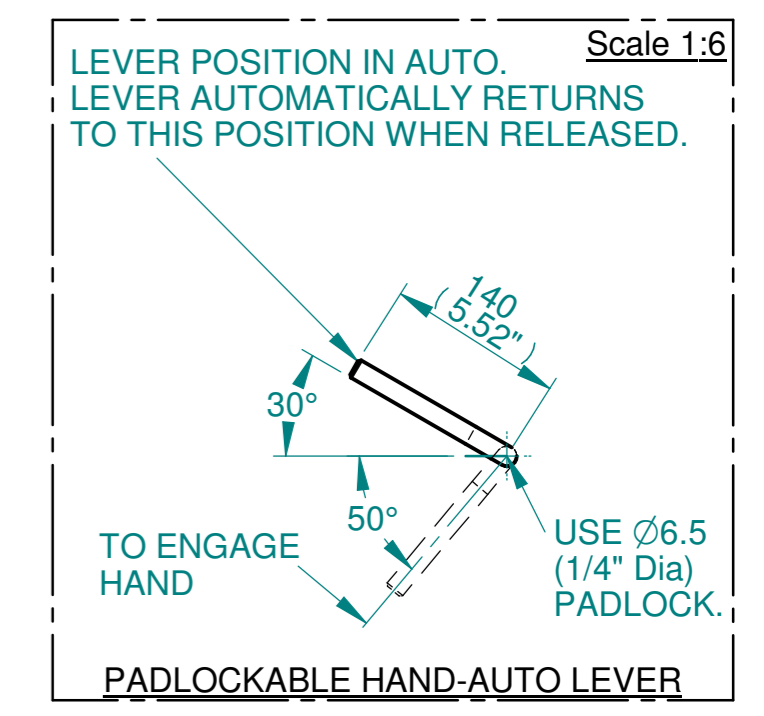
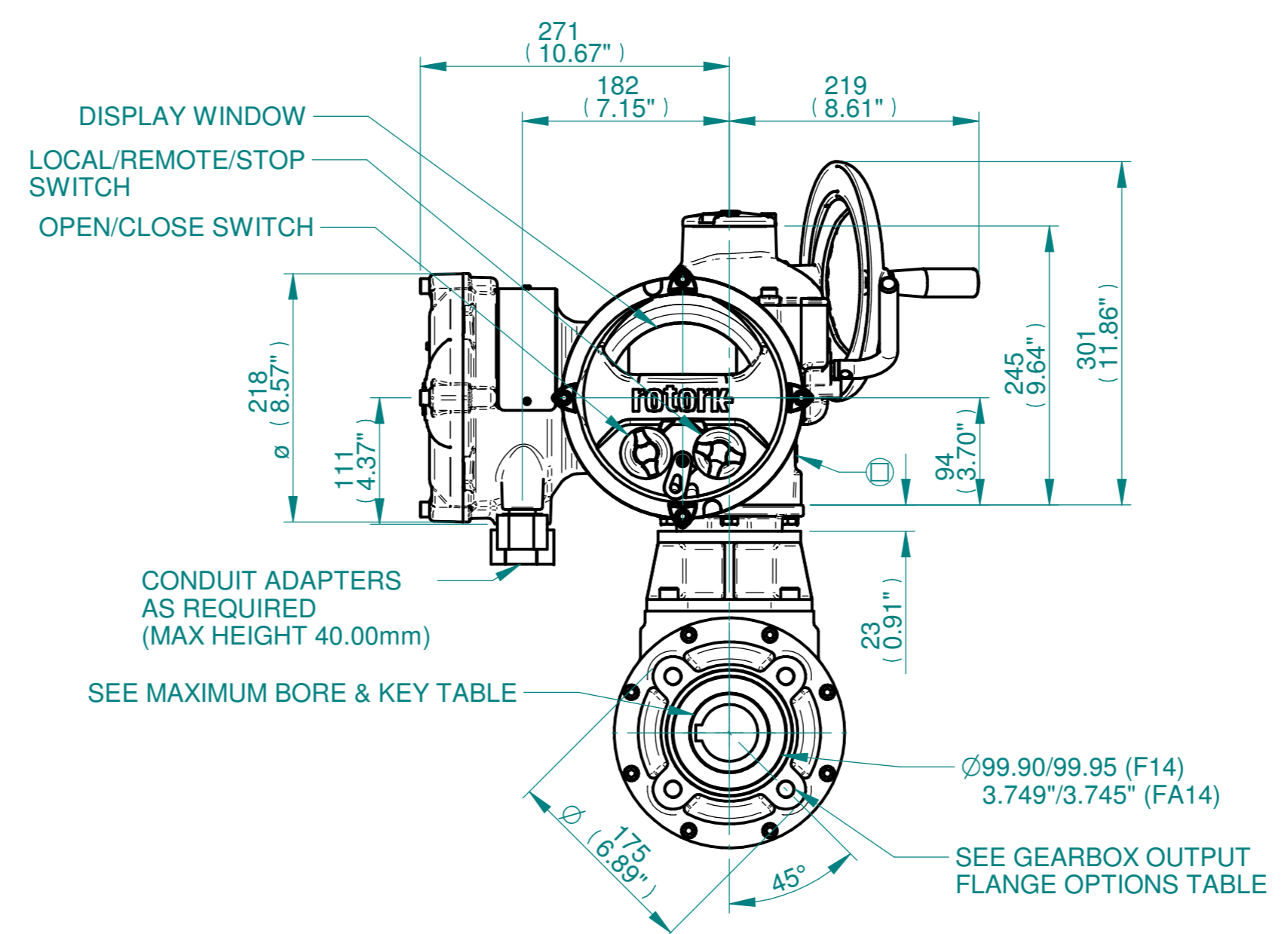
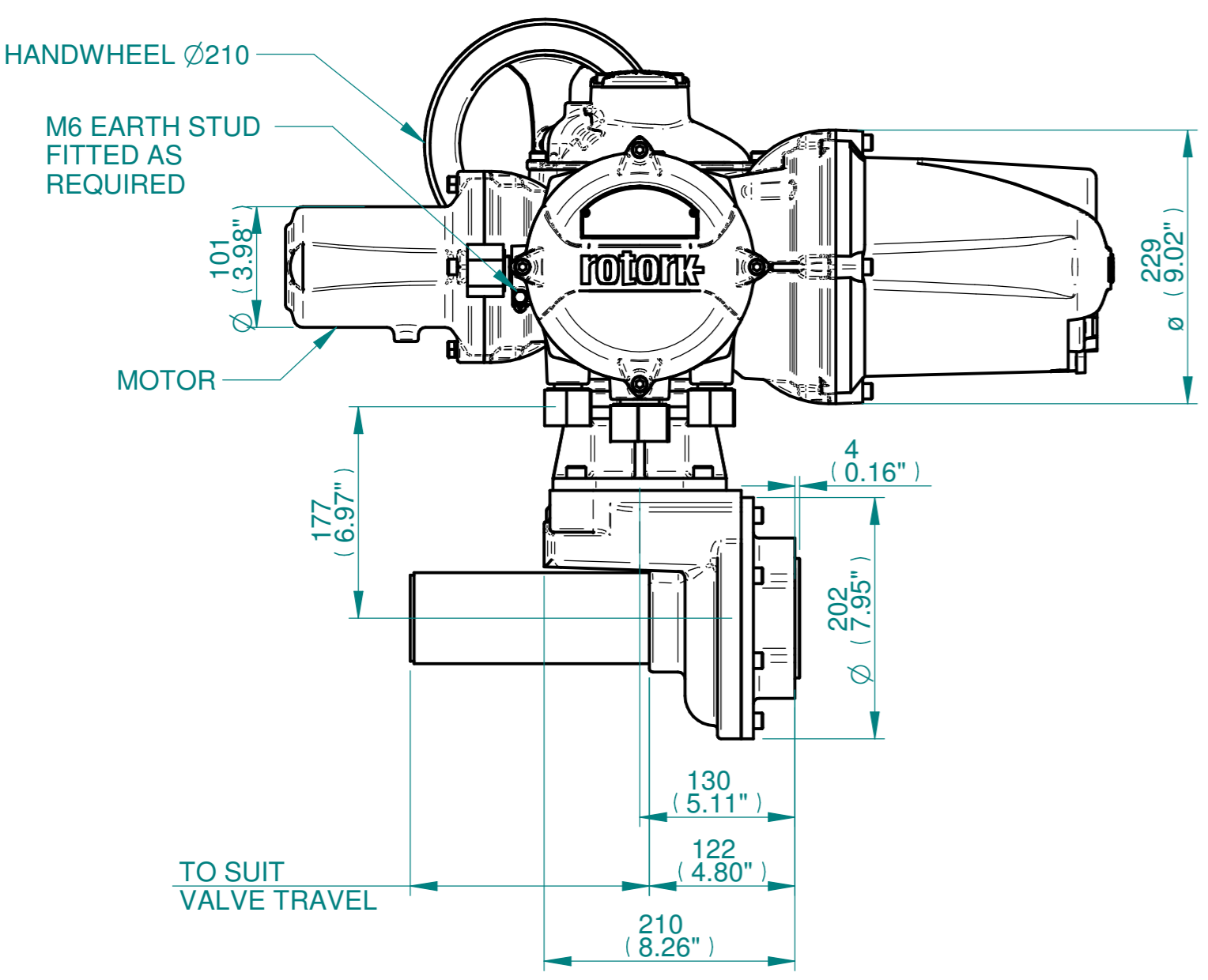
ISOMETRIC VIEW (SCALE 1:12)

**NOTES:**  
 :DIMENSIONS WITH "\*" INDICATE COVER REMOVAL ALLOWANCE  
 :ELECTRONICS COVER OPTION "\*\*\*\*" WILL VARY DEPENDING ON CONFIGURATION  
 :NETT WEIGHT = 56kg/123lbs  
 : = OIL FILLER/DRAIN PLUG  
 :THE INTERFACE PROVIDED FOR MOUNTING THE ACTUATOR OR SECOND STAGE GEARBOX ONTO THE VALVE SHOULD CONFORM TO GOOD ENGINEERING PRACTICES, ENSURING ADEQUATELY TOLERANCED LIMITS FOR PARALLELISM, PERPENDICULARITY AND CONCENTRICITY.  
 :ROTORCK CANNOT BE HELD LIABLE FOR DAMAGE TO OUR EQUIPMENT CAUSED BY EXCESSIVE LOADING FROM COVER TUBES. (SEE ALSO PUB000-124)

**CONDUIT ENTRIES**



	Hole 1	Hole 2	Hole 3	Hole 4
Size	As Required	As Required	As Required	As Required
Plugged	As Required	As Required	As Required	As Required
Gland	As Required	As Required	As Required	As Required



Actuator Size: IQ10/12/18, IB3, F14/FA14		Gearbox output flange options								Maximum Bore & Key			
Title	IQ10/12/18,SIDE HANDWHEEL,IB3, F14/FA14, Ratio 1:1 Installation Details	Designation	F14	-	-	-	FA14	-	-	-	Key form	Ø Bore	Key size
Drawn	JLF	No. Holes	4	-	-	-	4	-	-	-	Rectangle (BS4235)	52	16 X 10
Checked	NJC	Hole size	M16	-	-	-	5/8" UNC	-	-	-	Rectangle (ANSI B17.1)	2"	1/2 X 3/8"
Date	11-MAR-15	PCD	140	-	-	-	5.5"	-	-	-	Square (ANSI B17.1)	1-7/8"	1/2"
Ref	SALES	Project Ref	QUOTATION										

Issue	Description
2	4 ENTRY CHANGE

Scale: 1:5 THIRD ANGLE PROJECTION

Drawing Number	Issue No	Sheet No
111SHWIB3STD	2	1 of 1

1 2 3 4 5 6 7 8 9 10 11 12