

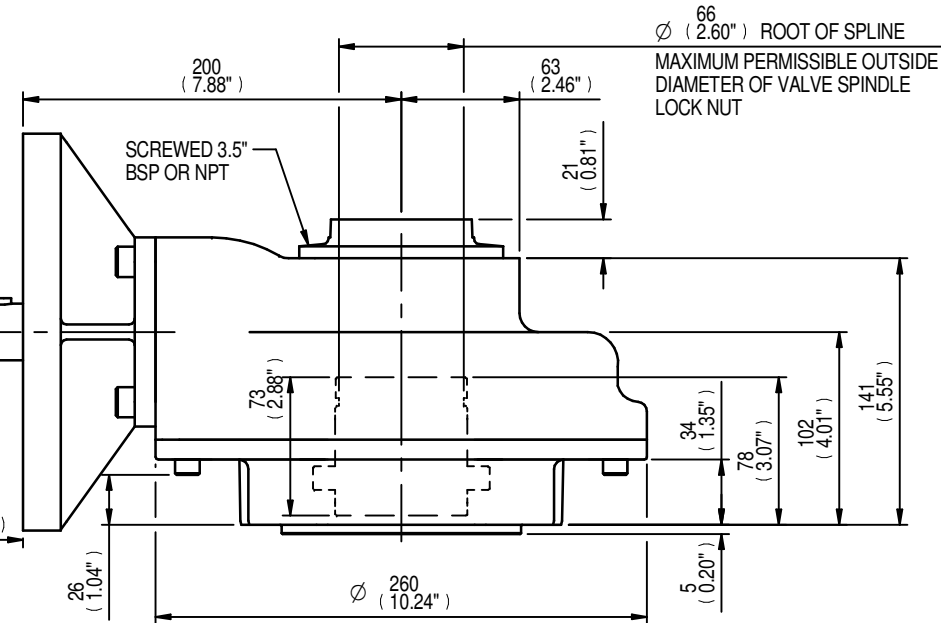
MOUNTING HOLES CAN BE POSITIONED ON CENTRES BY REMOVING 8 BOLTS INDICATED AND REPOSITIONING

KEY 8 x 7 x 40
(0.31" x 0.28" x 1.57")

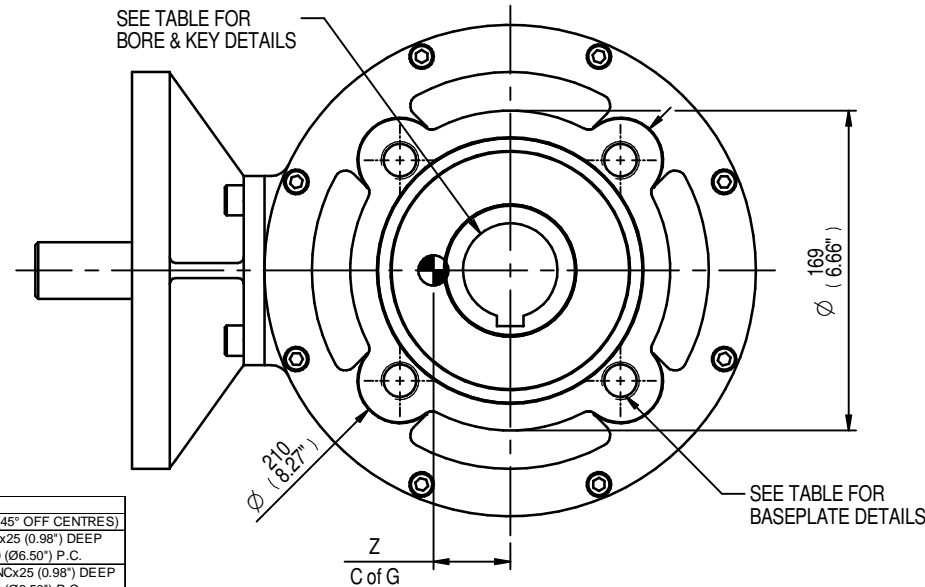
5
(0.20")

30.00
29.95
30.05
Ø (1.18)

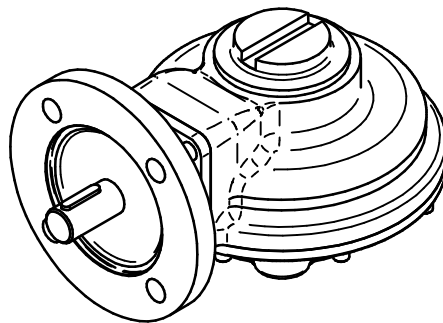
51
(2.02")



SEE TABLE FOR BORE & KEY DETAILS



SEE TABLE FOR BASEPLATE DETAILS



RATIO:1	M.A.	C.O.G.			MAX. OUTPUT TORQUE Nm (lbs.ft)
		X	Y	Z	
3	2.55	0	33	44	1355 (1000)
4	3.40	0	33	43	1355 (1000)
6	5.10	0	32	41	1084 (800)

MAX BORE SQ KEY			MAX BORE RECTANGULAR KEY			MAX. STEM SCREW ACCEPTANCE DIA.	
STD	BORE	KEY	STD	BORE	KEY		
BS4235	-	-	BS4235	52.0	16 x 10	55 (2.125")	
BS46	1.875"	1/2" SQ	BS46	2.000"	1/2" x 5/16"		
ANSI B17.1	1.875"	1/2" SQ	ANSI B17.1	2.000"	1/2" x 3/8"		

INPUT FLANGE DETAILS						BASEPLATE DETAILS	
	FLANGE		SHAFT	RECESS	RECESS	HOLE DETAILS (45° OFF CENTRES)	KEY DETAILS
	O/DIA. & THICKNESS		DIA.	DIA.	DEPTH		
ISO F16	Ø210 x 20		Ø30.00-0.05	Ø130.05+0.05	5	4 HOLES Ø20.5 (Ø0.811")	8x7x40
	(Ø8.27" x 0.79")		(Ø1.181"-0.002")	(Ø5.120"+0.002")	(0.20")	ON Ø165.0 (Ø6.50") P.C	(0.31"x0.28"x1.57")
FA16	Ø210 x 20		Ø30.00-0.05	Ø126.92+0.05	5	4 HOLES Ø20.5 (Ø0.811")	8x7x40
	(Ø8.27" x 0.79")		(Ø1.181"-0.002")	(Ø4.997"+0.002")	(0.20")	ON Ø165.0 (Ø6.50") P.C	(0.31"x0.28"x1.57")
ISO F16					SPIGOT DIA.		HOLE DETAILS (45° OFF CENTRES)
					Ø129.95-0.05		4 HOLES M20x25 (0.98") DEEP
FA16					Ø126.87-0.25		4 HOLES 3/4"UNCx25 (0.98") DEEP
					Ø4.995"-0.010"		ON Ø165.0 (Ø6.50") P.C.

**rotork
gears**

IB6 GEARBOX
F16/FA16 INPUT F16/FA16 OUTPUT

APPROX WEIGHT 32.3 kg

DRAWING No	PUBIB6-F16-F16	Regina House Ring Road Bramley Leeds LS134ET United Kingdom
ISSUE	A	
DATE	21/10/2011	

DETAILS SUBJECT TO CHANGE WITHOUT PRIOR NOTICE

FOR UP TO DATE DETAILS VISIT www.rotork.com