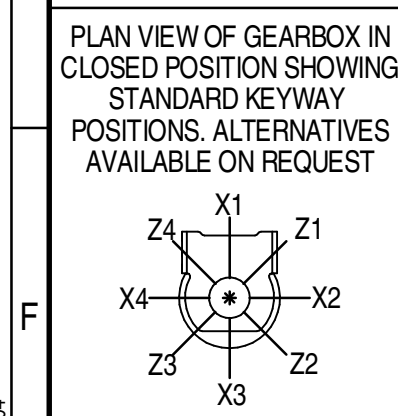
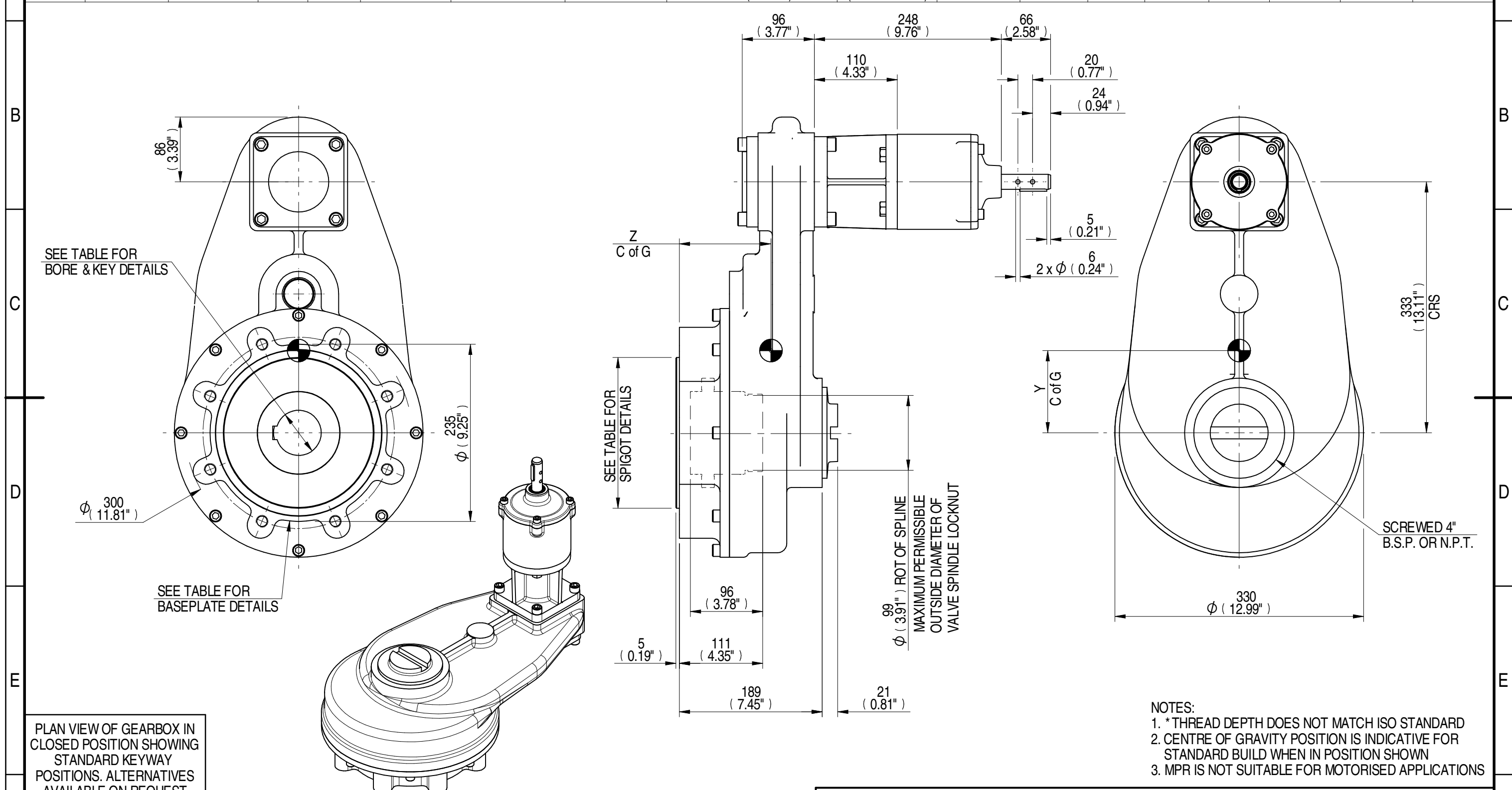


| 1 | 2 | | 3 | | 4 | | | 5 | | 6 | | | 7 | | 8 | | |
|----------------------|---------------------------|----------------------------|-------------|--------------|--|----------------------------|---|--|-------------------------------|---|----------|----------|-----------------|-------------|--------------------|----------------|-----------------|
| INPUT FLANGE DETAILS | | | | | MOUNTING HOLES - BOLT CIRCLE (OFF CENTRES) | | | | | STEM ACCEPTANCE IN ACCORDANCE TO STANDARD | | | | | | | |
| INPUT FLANGE | FLANGE O/DIA. + THICKNESS | SHAFT DIA. | RECESS DIA. | RECESS DEPTH | HOLE DETAILS (OFF CENTRES) | KEY DETAILS | ISO 5211 / MSS SP-101 MOUNTING OPTION | HOLE DETAILS (22.5° OFF CENTRES) | SPIGOT DIAMETER | MAX SCREW STEM ACCEPTANCE | STANDARD | MIN BORE | SQ KEY MAX BORE | SQ KEY SIZE | RECT. KEY MAX BORE | RECT. KEY SIZE | SQ BORE MAX |
| - | - | 19.98-0.05 (0.787"-0.002") | - | - | - | 6x6x40 (0.24"x0.24"x1.57") | F25 | 8 x M16 x 20 (0.79") DEEP ON Ø254.0 (Ø10.00") P.C. | Ø199.95-0.05 (Ø7.872"-0.002") | 86 (3.386") | BS4235 | - | - | - | 76.0 | 22 x 14 | □ 61.0 (2.402") |
| | | | | | | FA25 | 8 x 5/8" UNC x 20 (0.79") DEEP ON Ø254.4 (Ø10.00") P.C. | Ø152.25-0.05 (Ø5.994"-0.002") | ANSI B17.1 | | - | 2.750" | 3/4" SQ. | 3.000" | 3/4" x 1/2" | | |
| | | | | | | | | | DIN 6885 | | - | - | - | - | - | | |



| DESCRIPTION | TORQUE | CENTRE OF GRAVITY |
|-------------|-----------------|-------------------|
| 25.5 RATIO | 19.50 M.A. | 83.04 WEIGHT |
| | 2550 MAX OUTPUT | 130 MAX INPUT |
| | | 0 X |
| | | 109 Y |
| | | 121 Z |

- NOTES:
- * THREAD DEPTH DOES NOT MATCH ISO STANDARD
 - CENTRE OF GRAVITY POSITION IS INDICATIVE FOR STANDARD BUILD WHEN IN POSITION SHOWN
 - MPR IS NOT SUITABLE FOR MOTORISED APPLICATIONS

AS PART OF CONTINUOUS PRODUCT DEVELOPMENT, ALL DETAILS SUBJECT TO CHANGE WITHOUT PRIOR NOTICE. FOR UP TO DATE DETAILS PLEASE VISIT www.rotork.com

rotork Gears
LEEDS - UK
www.rotork.com

This drawing is confidential and is the property of Rotork Gears and must not be reproduced either wholly or partly. All rights in respect of patents, designs and copyrights are reserved. © 2015

| | | | | | |
|----------------------------|--------------------|------------|------------------|----------------------------------|---|
| Document Type | PUBLICITY | Mass | 83.04 kg | Title | HOS8 6:1 MPR4 GEARBOX STANDARD INPUT REDUCER, F25/FA25 OUTPUT. |
| Created | E CHANG | 20/02/2015 | Dimensions in mm | Scale | 1:5 |
| Checked | J DICKINSON | 13/03/2015 | Drawing Number | PUB-HOS9MPR4-25.5-MAN-F25 | |
| Approved | | | Iss. | 01 | |
| Sheet 1 of 1 | | | Size A3 | | |