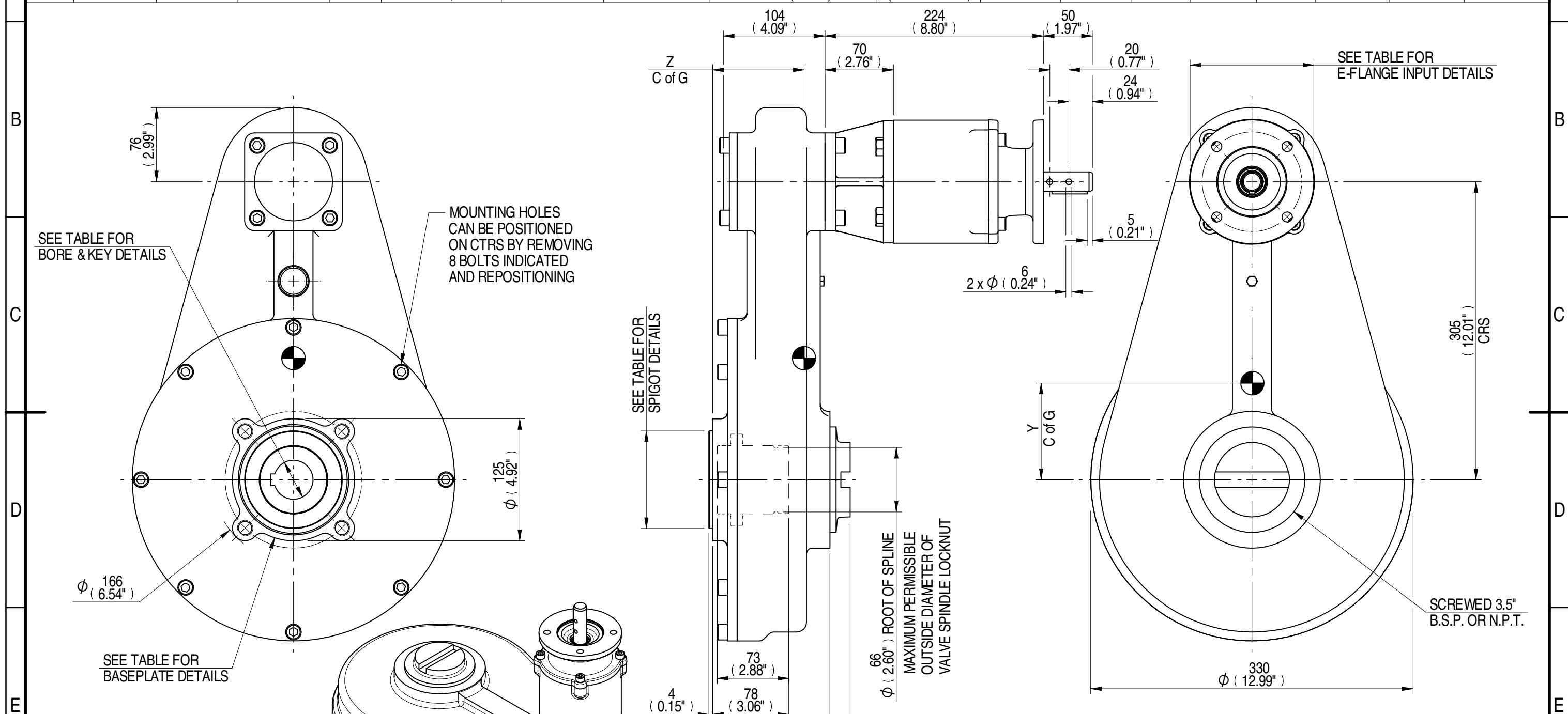
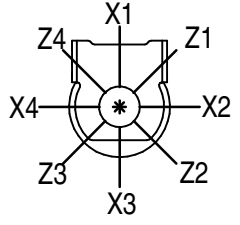


E-FLANGE INPUT DETAILS		MOUNTING HOLES - BOLT CIRCLE (OFF CENTRES)				STEM ACCEPTANCE IN ACCORDANCE TO STANDARD											
INPUT FLANGE	FLANGE O/DIA. + THICKNESS	SHAFT DIA.	RECESS DIA.	RECESS DEPTH	HOLE DETAILS (OFF CENTRES)	KEY DETAILS	ISO 5211 / MSS SP-101 MOUNTING OPTION	HOLE DETAILS (45° OFF CENTRES)	SPIGOT DIAMETER	MAX SCREW STEM ACCEPTANCE	STANDARD	MIN BORE	SQ KEY MAX BORE	SQ KEY SIZE	RECT. KEY MAX BORE	RECT. KEY SIZE	SQ BORE MAX
	Ø126x11 (Ø4.96"x0.41")	19.98-0.05 (0.787"-0.002")	Ø70.05+0.05 (Ø2.758"+0.002")	3 (0.12")	4 x Ø10.5 ON Ø102.0 P.C. (4 x Ø0.41" ON Ø4.02" P.C.)	6x6x40 (0.24"x0.24"x1.57")	F14	4 x M16 x 20 (0.79") DEEP ON Ø140.0 (Ø5.51") P.C.	Ø99.95-0.05 (Ø3.935"-0.002")	55 (2.125")	BS4235	-	-	-	52.0	16 x 10	□ 35.5 (1.398")
						FA14	4 x 5/8" UNC x 20 (0.79") DEEP ON Ø139.7 (Ø5.50") P.C.	Ø95.22-0.10 (Ø3.749"-0.004")	ANSI B17.1		-	1.875"	1/2" SQ.	2.000"	1/2" x 3/8"		
									DIN 6885		-	-	-	-	-		



- NOTES:
- \* THREAD DEPTH DOES NOT MATCH ISO STANDARD
  - CENTRE OF GRAVITY POSITION IS INDICATIVE FOR STANDARD BUILD WHEN IN POSITION SHOWN
  - MPR IS NOT SUITABLE FOR MOTORISED APPLICATIONS

PLAN VIEW OF GEARBOX IN CLOSED POSITION SHOWING STANDARD KEYWAY POSITIONS. ALTERNATIVES AVAILABLE ON REQUEST



DESCRIPTION	TORQUE	CENTRE OF GRAVITY
25.1 RATIO	19.20 M.A.	50.67 WEIGHT
	1700 MAX OUTPUT	89 MAX INPUT
		0 X
		125 Y
		94 Z

AS PART OF CONTINUOUS PRODUCT DEVELOPMENT, ALL DETAILS SUBJECT TO CHANGE WITHOUT PRIOR NOTICE. FOR UP TO DATE DETAILS PLEASE VISIT [www.rotork.com](http://www.rotork.com)

<p>LEEDS - UK <a href="http://www.rotork.com">www.rotork.com</a></p>	<p>This drawing is confidential and is the property of Rotork Gears and must not be reproduced either wholly or partly. All rights in respect of patents, designs and copyrights are reserved. © 2015</p>	<p>Document Type <b>PUBLICITY</b></p>	<p>Mass <b>50.67 kg</b></p>	<p>Title <b>IS6 6:1 MPR4 GEAR BOX E-FLANGE INPUT REDUCER, F14/FA14 OUTPUT</b></p>	
	<p>Created <b>E CHANG</b></p>	<p>Checked <b>J DICKINSON</b></p>	<p>Dimensions in mm Scale <b>1:4</b></p>	<p>17/02/2015</p>	<p>Drawing Number <b>PUB-HOS6MPR4-25.1-E-F14</b></p>
	<p>Approved</p>	<p>13/03/2015</p>	<p>Sheet <b>1</b> of <b>1</b></p>	<p>Size <b>A3</b></p>	<p>Iss. <b>01</b></p>