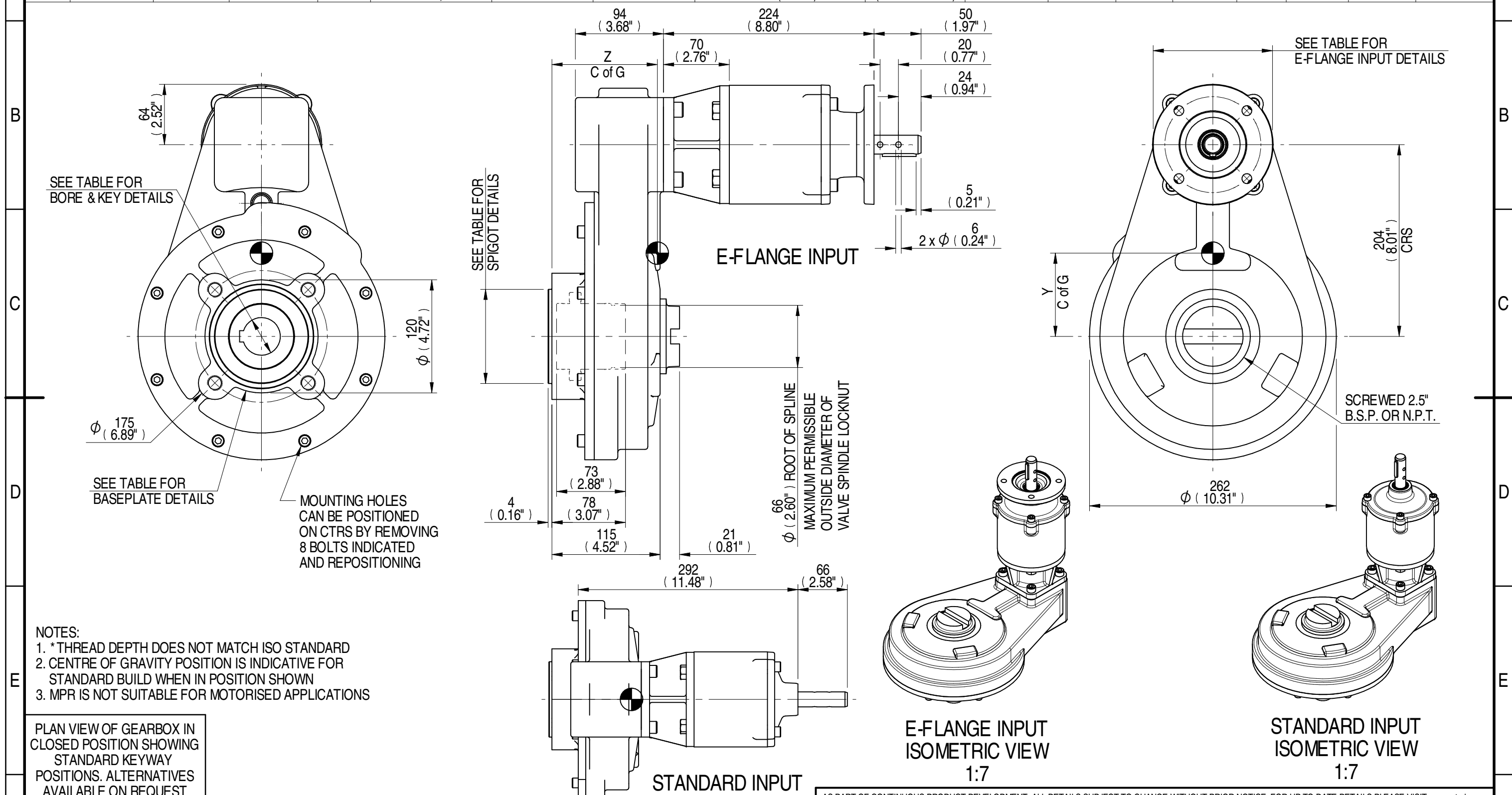


1	2		3	4			5	6		7				8			
E-FLANGE INPUT DETAILS				MOUNTING HOLES - BOLT CIRCLE (OFF CENTRES)				STEM ACCEPTANCE IN ACCORDANCE TO STANDARD									
INPUT FLANGE	FLANGE O/DIA. + THICKNESS	SHAFT DIA.	RECESS DIA.	RECESS DEPTH	HOLE DETAILS (45° OFF CENTRES)	KEY DETAILS	ISO 5211 / MSS SP-101 MOUNTING OPTION	HOLE DETAILS (45° OFF CENTRES)	SPIGOT DIAMETER	MAX SCREW STEM ACCEPTANCE	STANDARD	MIN BORE	SQ KEY MAX BORE	SQ KEY SIZE	RECT. KEY MAX BORE	RECT. KEY SIZE	SQ BORE MAX
-	Ø126x11 (Ø4.96"x0.41")	19.98-0.05 (0.787"-0.002")	Ø70.05+0.05 (Ø2.758"+0.002")	3 (0.12")	4 x Ø10.5 ON Ø102.0 P.C. (4 x Ø0.41" ON Ø4.02" P.C.)	6x6x40 (0.24"x0.24"x1.57")	F14	4 x M16 x 20 (0.79") DEEP ON Ø140.0 (Ø5.51") P.C.	Ø99.95-0.05 (Ø3.935"-0.002")	55 (2.125")	BS4235	-	-	-	52.0	16 x 10	□ 40.0 (1.575")
							FA14	4 x 5/8" UNC x 20 (0.79") DEEP ON Ø139.7 (Ø5.50") P.C.	Ø95.22-0.10 (Ø3.749"-0.004")		ANSI B17.1	-	1.875"	1/2" SQ.	2.000"	1/2" x 3/8"	
											DIN 6885	-	-	-	-	-	



1	2	3	4	5	6	7	8
17.1	13.10	38.70	850	65	0	88	112
RATIO	M.A.	WEIGHT	MAX OUTPUT	MAX INPUT	X	Y	Z
DESCRIPTION			TORQUE		CENTRE OF GRAVITY		

AS PART OF CONTINUOUS PRODUCT DEVELOPMENT, ALL DETAILS SUBJECT TO CHANGE WITHOUT PRIOR NOTICE. FOR UP TO DATE DETAILS PLEASE VISIT [www.rotork.com](http://www.rotork.com)

**rotork**  
Gears  
LEEDS - UK  
[www.rotork.com](http://www.rotork.com)

This drawing is confidential and is the property of Rotork Gears and must not be reproduced either wholly or partly. All rights in respect of patents, designs and copyrights are reserved. © 2015

Document Type	<b>PUBLICITY</b>	Mass	<b>38.70 kg</b>	Title	<b>HOS5 4:1 MPR4 GEARBOX STANDARD/E-FLANGE INPUT REDUCER, F14/FA14 OUTPUT</b>	
Created	<b>E CHANG</b>	13/02/2015	Dimensions in mm	Drawing Number	<b>PUB-HOS5MPR4-17.1-F14</b>	
Checked	<b>J DICKINSON</b>	13/03/2015	Scale	1:4	Iss.	<b>01</b>
Approved	-	-	Sheet	<b>1</b>	of	<b>1</b>
			Size	<b>A3</b>		