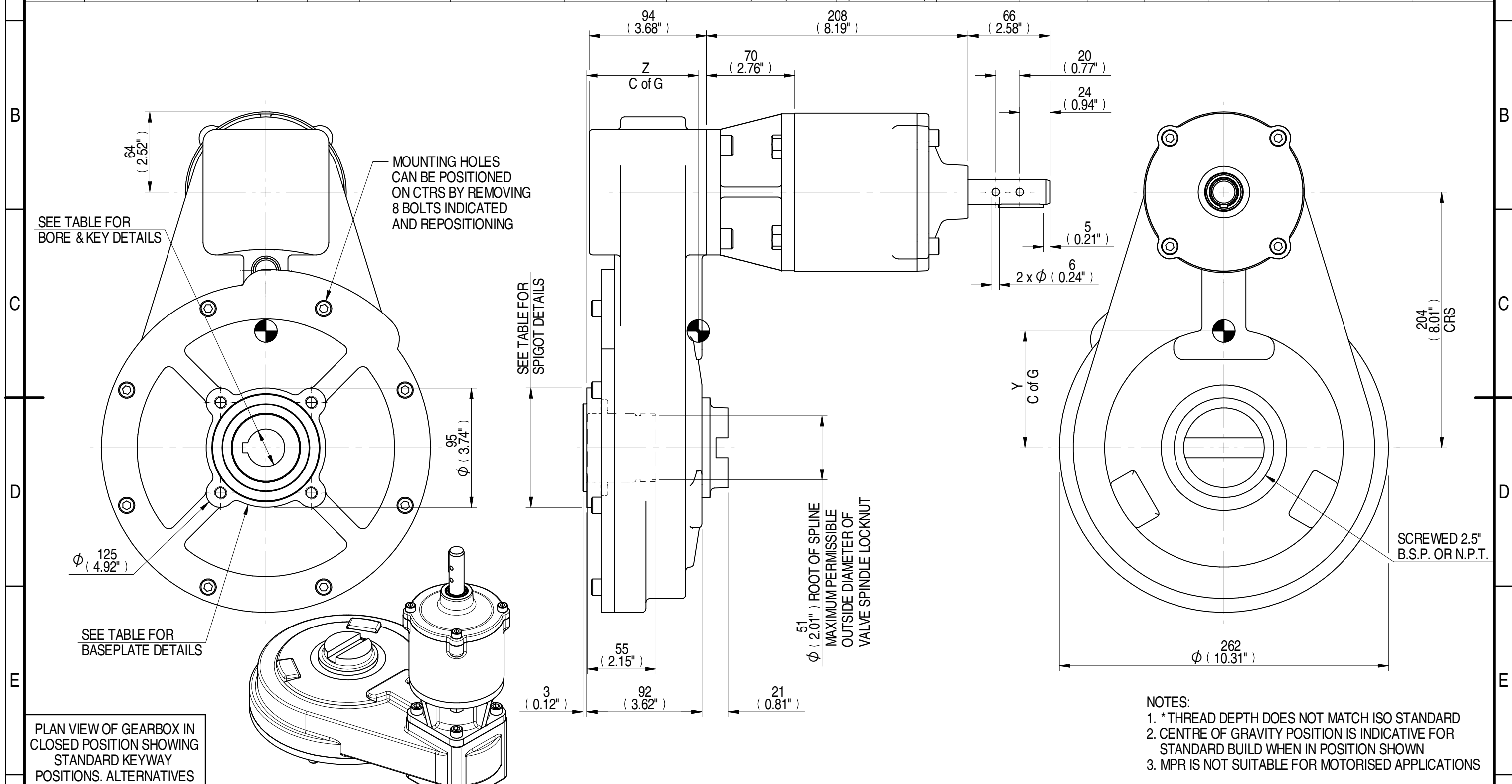


1	2		3		4			5		6			7		8		
INPUT FLANGE DETAILS					MOUNTING HOLES - BOLT CIRCLE (OFF CENTRES)					STEM ACCEPTANCE IN ACCORDANCE TO STANDARD							
INPUT FLANGE	FLANGE O/DIA. + THICKNESS	SHAFT DIA.	RECESS DIA.	RECESS DEPTH	HOLE DETAILS (OFF CENTRES)	KEY DETAILS	ISO 5211 / MSS SP-101 MOUNTING OPTION	HOLE DETAILS (45° OFF CENTRES)	SPIGOT DIAMETER	MAX SCREW STEM ACCEPTANCE	STANDARD	MIN BORE	SQ KEY MAX BORE	SQ KEY SIZE	RECT. KEY MAX BORE	RECT. KEY SIZE	SQ BORE MAX
-	-	19.98-0.05 (0.787"-0.002")	-	-	-	6x6x40 (0.24"x0.24"x1.57")	F10	4 x M10 x 15 (0.59") DEEP ON Ø102.0 (Ø4.02") P.C.	Ø69.95-0.05 (Ø2.754"-0.002")	45 (1.75")	BS4235	-	-	-	40.0	12 x 8	□ 31.6 (1.244")
-	-	-	-	-	-	FA10	4 x 3/8" UNC x 15 (0.59") DEEP ON Ø101.6 (Ø4.00") P.C.	Ø58.70-0.10 (Ø2.311"-0.004")	ANSI B17.1		-	1.500"	3/8" SQ.	1.625"	3/8" x 1/4"	-	
-	-	-	-	-	-	-	-	-	-	-	DIN 6885	-	-	-	-	-	-



AS PART OF CONTINUOUS PRODUCT DEVELOPMENT, ALL DETAILS SUBJECT TO CHANGE WITHOUT PRIOR NOTICE. FOR UP TO DATE DETAILS PLEASE VISIT www.rotork.com																
<p>LEEDS - UK www.rotork.com</p>										Document Type PUBLICITY Mass 35.13 kg Title HOS4 4:1 MPR4 GEARBOX STANDARD INPUT REDUCER, F10/FA10 OUTPUT.			Drawing Number PUB-HOS4MPR4-17.1-MAN-F10 Iss. 01			
This drawing is confidential and is the property of Rotork Gears and must not be reproduced either wholly or partly. All rights in respect of patents, designs and copyrights are reserved. © 2015										Created E CHANG 11/02/2015 Checked J DICKINSON 13/03/2015 Approved - -			Scale 1:3 Sheet 1 of 1 Size A3			
17.1		13.10		35.13		850		65		0		93		89		
RATIO		M.A.		WEIGHT		MAX OUTPUT		MAX INPUT		X		Y		Z		
DESCRIPTION						TORQUE				CENTRE OF GRAVITY						

Rev 04