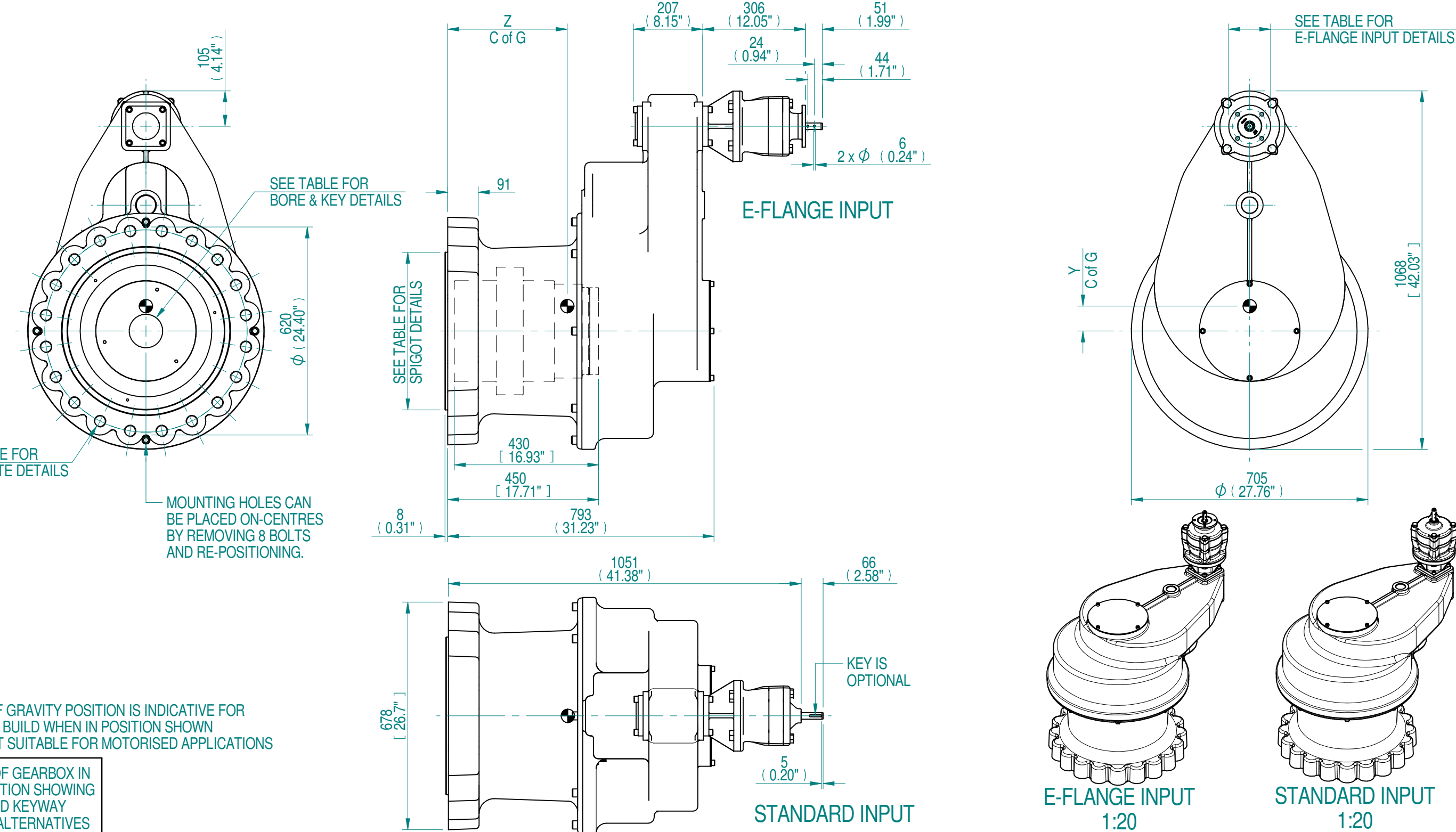
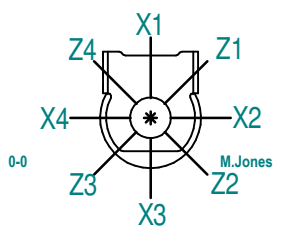


E-FLANGE INPUT DETAILS					MOUNTING HOLES - BOLT CIRCLE (OFF CENTRES)				STEM ACCEPTANCE IN ACCORDANCE TO STANDARD									
INPUT FLANGE	FLANGE O/DIA. + THICKNESS	SHAFT DIA.	RECESS DIA.	RECESS DEPTH	HOLE DETAILS (45° OFF CENTRES)	KEY DETAILS	ISO 5211 / MSS SP-101 MOUNTING OPTION	HOLE DETAILS (22.5° OFF CENTRES)	SPIGOT DIAMETER	MAX SCREW STEM ACCEPTANCE	STANDARD	MIN BORE	SQ KEY MAX BORE	SQ KEY SIZE	RECT. KEY MAX BORE	RECT. KEY SIZE	SQ BORE MAX	
E-FLANGE	Ø125x11 (Ø4.92"x0.41")	19.98-0.05 (0.787"-0.002")	Ø70 +0.07 (Ø2.756"+0.003")	5.5 (0.217")	4 x Ø10.5 ON Ø102.0 P.C. (4 x Ø0.41" ON Ø4.02" P.C.)	6x6x36 (0.24"x0.24"x1.42")	F60	20 HOLES M36 x 54 (2.13") DEEP ON Ø603.0 (Ø23.74") P.C.	Ø469.93.95-0.01 (Ø18.501"-0.004")	Ø225 (Ø8.750")	BS4235	107.1	-	-	206.0	50 x 28	□ 166 (6.535")	
											BS46	4.217"	7.500"	1.875" SQ	7.750"	2" x 1.375"		
											ANSI B17.1	4.217"	7.500"	1.750" SQ	7.750"	2" x 1.50"		
							FA60	20 HOLES 1.25" UNC x 54 (2.13") DEEP ON Ø603.3 (Ø23.75") P.C.	Ø469.9-0.15 (Ø18.500"-0.006")		DIN 6885	107.1	-	-	206.0	50 x 28		



NOTES:
 1. CENTRE OF GRAVITY POSITION IS INDICATIVE FOR STANDARD BUILD WHEN IN POSITION SHOWN
 2. MPR IS NOT SUITABLE FOR MOTORISED APPLICATIONS

PLAN VIEW OF GEARBOX IN CLOSED POSITION SHOWING STANDARD KEYWAY POSITIONS. ALTERNATIVES AVAILABLE ON REQUEST



662.4	479.1	1090 kg	46,100 Nm	96.2 Nm	0	74	356
RATIO	M.A.	WEIGHT	MAX OUTPUT	MAX INPUT	X	Y	Z
DESCRIPTION			TORQUE		CENTRE OF GRAVITY		

AS PART OF CONTINUOUS PRODUCT DEVELOPMENT, ALL DETAILS SUBJECT TO CHANGE WITHOUT PRIOR NOTICE. FOR UP TO DATE DETAILS PLEASE VISIT www.rotork.com

rotork Gears
LEEDS - UK
www.rotork.com

This drawing is confidential and is the property of Rotork Gears and must not be reproduced either wholly or partly. All rights in respect of patents, designs and copyrights are reserved. © 2019

Document Type	PUBLICITY	Mass	1090.00 kg	Title	HOS21 MPR28 662.4 F60 GEARBOX E-FLANGE STANDARD / E-FLANGE INPUT REDUCER, F60/FA60 OUTPUT.	
Created	M JONES	14/05/2019	Dimensions in mm	Drawing Number	PUB-HOS21MPR28-662.4-F60	
Checked			Scale	1:12	Iss.	0-0
Approved	N.Coope	2019-10-15	Sheet	1 of 1	Size	A3