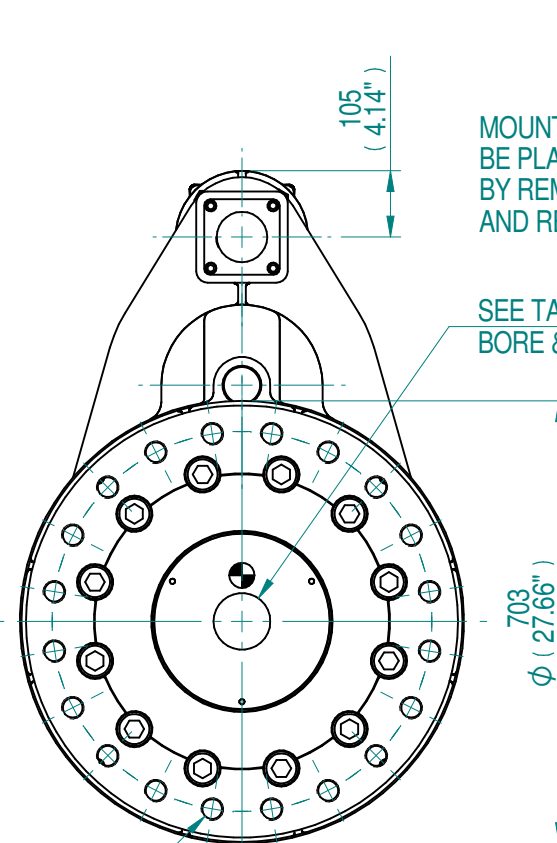


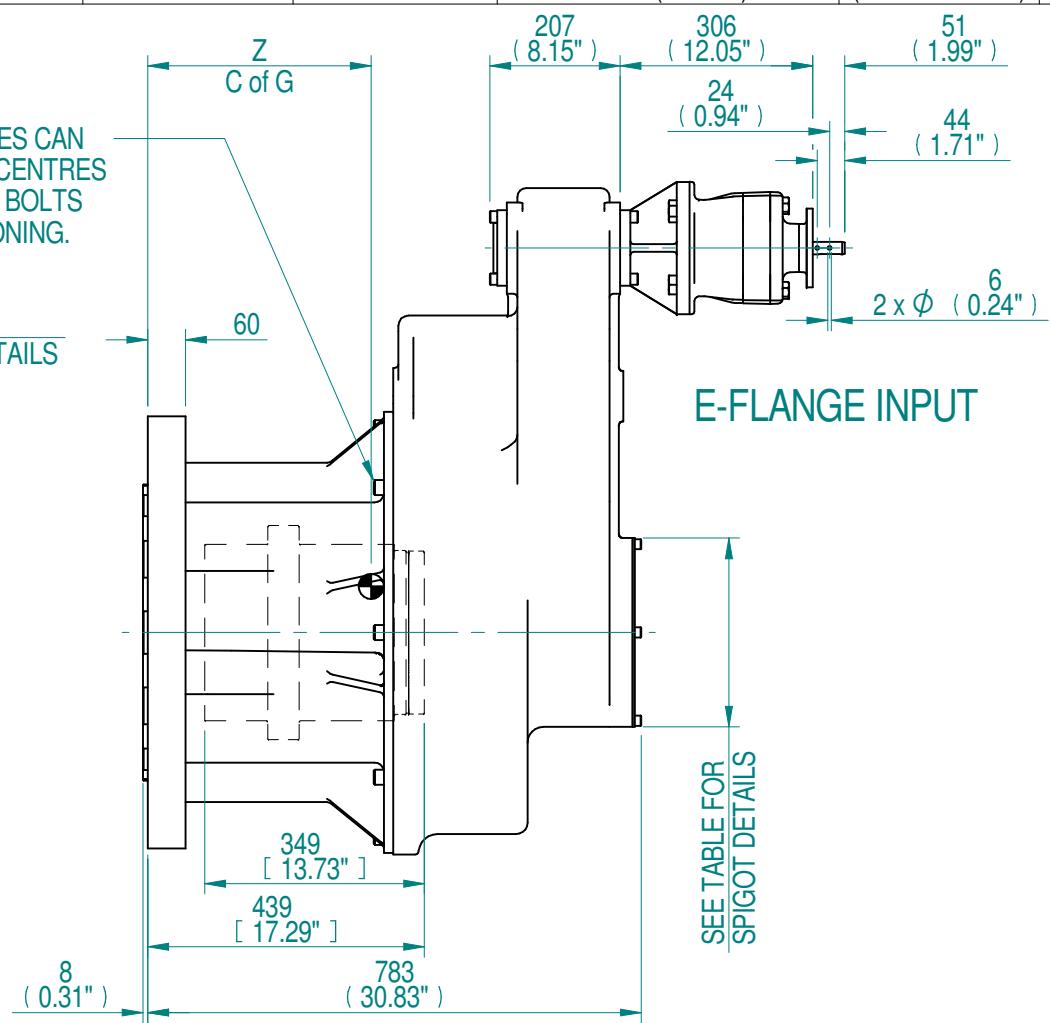
E-FLANGE INPUT DETAILS		MOUNTING HOLES - BOLT CIRCLE (OFF CENTRES)			STEM ACCEPTANCE IN ACCORDANCE TO STANDARD												
INPUT FLANGE	FLANGE O/DIA. + THICKNESS	SHAFT DIA.	RECESS DIA.	RECESS DEPTH	HOLE DETAILS (45° OFF CENTRES)	KEY DETAILS	ISO 5211 / MSS SP-101 MOUNTING OPTION	HOLE DETAILS (22.5° OFF CENTRES)	SPIGOT DIAMETER	MAX SCREW STEM ACCEPTANCE	STANDARD	MIN BORE	SQ KEY MAX BORE	SQ KEY SIZE	RECT. KEY MAX BORE	RECT. KEY SIZE	SQ BORE MAX
E-FLANGE	Ø125x11 (Ø4.92"x0.41")	19.98-0.05 (0.787"-0.002")	Ø70 +0.07 (Ø2.756"+0.003")	5.5 (0.217")	4 x Ø10.5 ON Ø102.0 P.C. (4 x Ø0.41" ON Ø4.02" P.C.)	6x6x36 (0.24"x0.24"x1.42")	F60	20 x M36 x 60 (2.36") DEEP ON Ø603.0 (Ø23.74") P.C.	Ø469.93-0.10 (Ø18.501"-0.004")	225 (8.750")	BS4235	-	-	-	206	50x28	□ 161 (6.339")
							FA60	20 x 1.25" UNC x 60 (2.36") DEEP ON Ø603.3 (Ø23.75") P.C.	Ø469.9-0.15 (Ø18.500"-0.006")		ANSI B17.1	-	7.500"	1 7/8" SQ.	7.750"	2" x 1 3/8"	
											DIN 6885	-	-	-	-	-	



SEE TABLE FOR BASEPLATE DETAILS

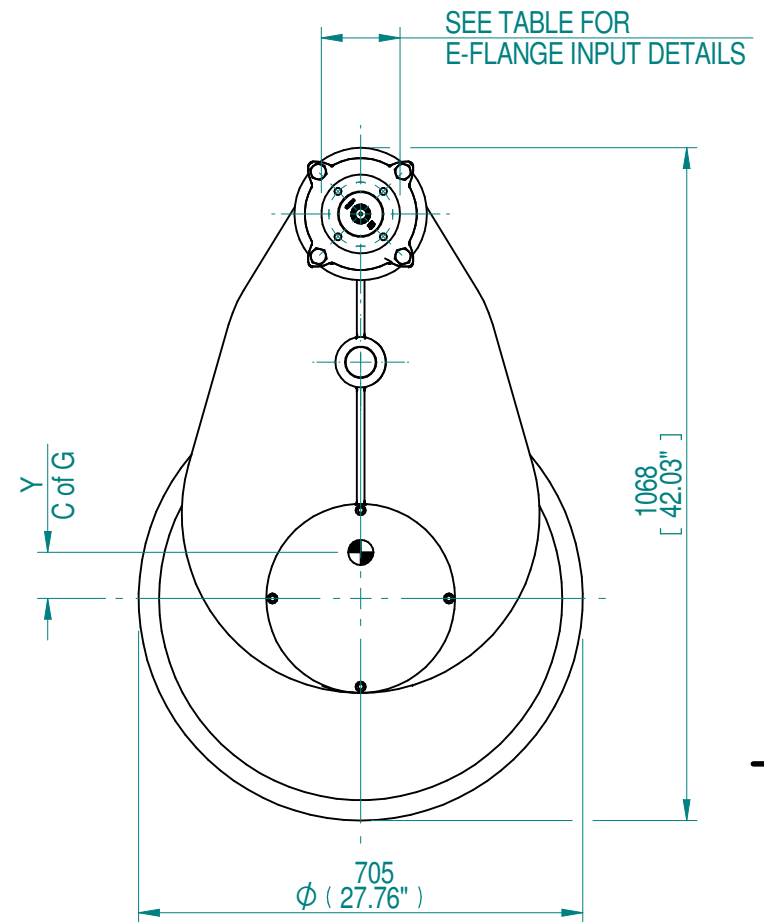
MOUNTING HOLES CAN BE PLACED ON-CENTRES BY REMOVING 8 BOLTS AND RE-POSITIONING.

SEE TABLE FOR BORE & KEY DETAILS

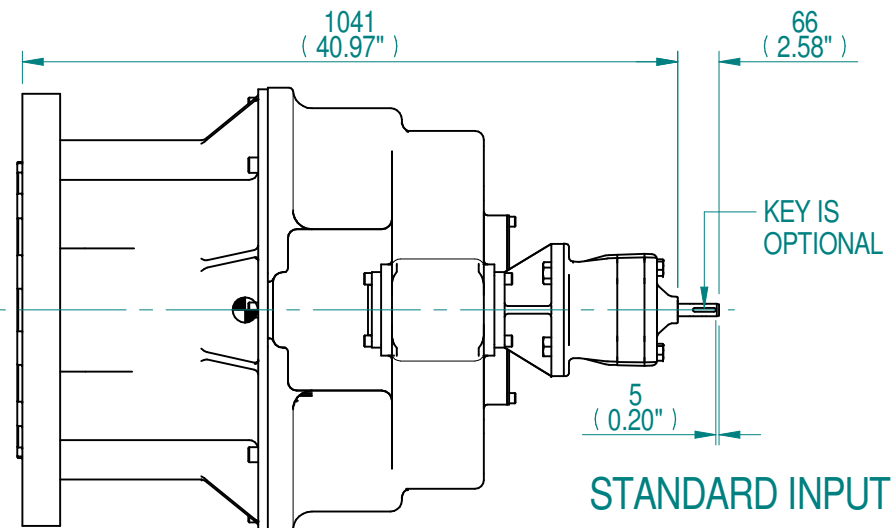


E-FLANGE INPUT

SEE TABLE FOR SPIGOT DETAILS

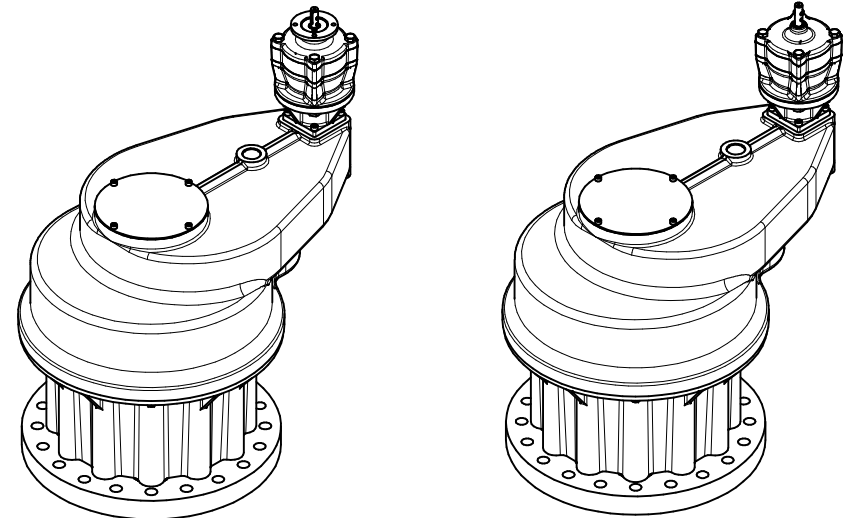


SEE TABLE FOR E-FLANGE INPUT DETAILS



STANDARD INPUT

KEY IS OPTIONAL

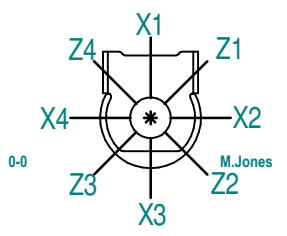


E-FLANGE INPUT 1:20

STANDARD INPUT 1:20

- NOTES:
- CENTRE OF GRAVITY POSITION IS INDICATIVE FOR STANDARD BUILD WHEN IN POSITION SHOWN.
 - MPR IS NOT SUITABLE FOR MOTORISED APPLICATIONS.

PLAN VIEW OF GEARBOX IN CLOSED POSITION SHOWING STANDARD KEYWAY POSITIONS. ALTERNATIVES AVAILABLE ON REQUEST



662.4	479.1	1105.24 kg	46,100 Nm	96.2 Nm	0	73	295
RATIO	M.A.	WEIGHT	MAX OUTPUT	MAX INPUT	X	Y	Z
DESCRIPTION			TORQUE		CENTRE OF GRAVITY		

AS PART OF CONTINUOUS PRODUCT DEVELOPMENT, ALL DETAILS SUBJECT TO CHANGE WITHOUT PRIOR NOTICE. FOR UP TO DATE DETAILS PLEASE VISIT www.rotork.com

	This drawing is confidential and is the property of Rotork Gears and must not be reproduced either wholly or partly. All rights in respect of patents, designs and copyrights are reserved. © 2019	Document Type PUBLICITY	Mass 1105.24 kg	Title
		Dimensions in mm Scale 1:12		HOS20 MPR28 662.4 F60 GEARBOX E-FLANGE STANDARD / E-FLANGE INPUT REDUCER, F60/FA60 OUTPUT.
Created	M JONES	14/05/2019	Drawing Number	
Checked			PUB-HOS20MPR28-662.4-F60	
Approved	N.Coope	2019-10-15	Sheet 1 of 1	Size A3