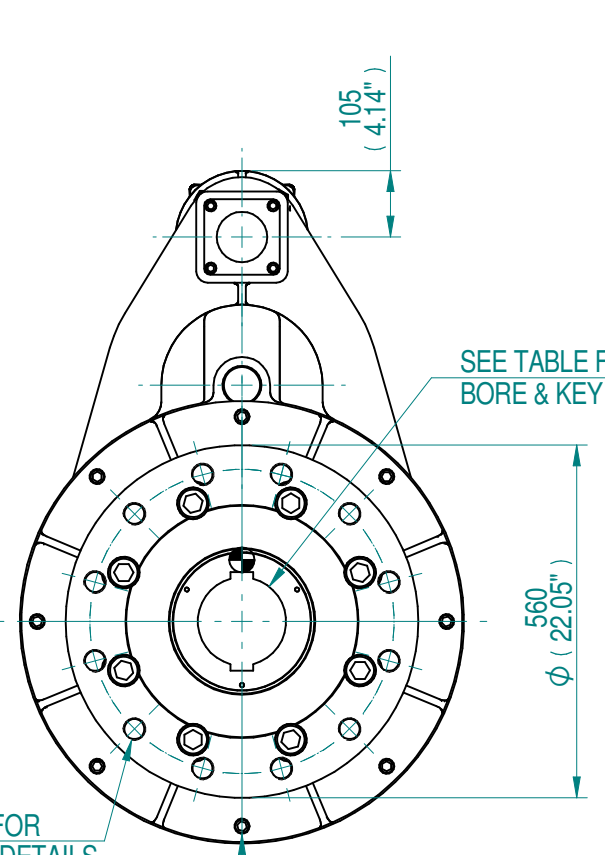
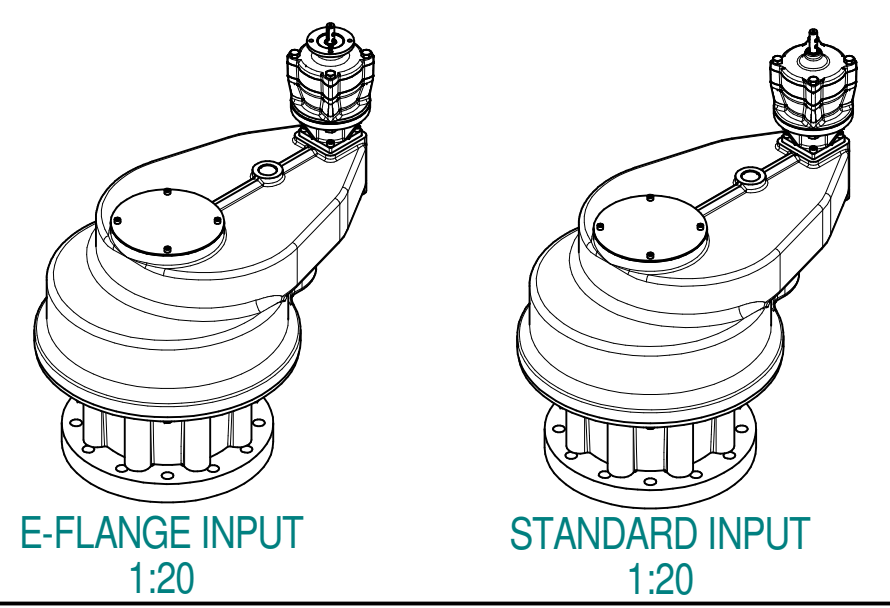
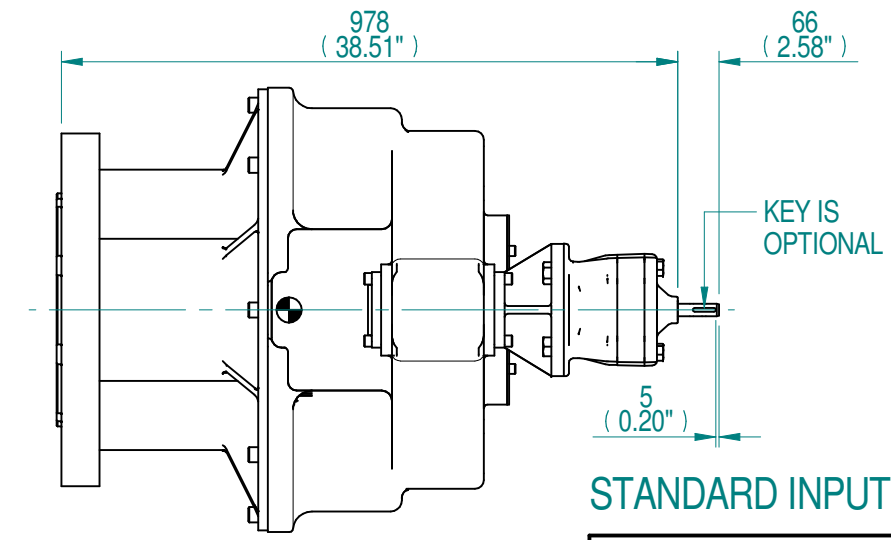
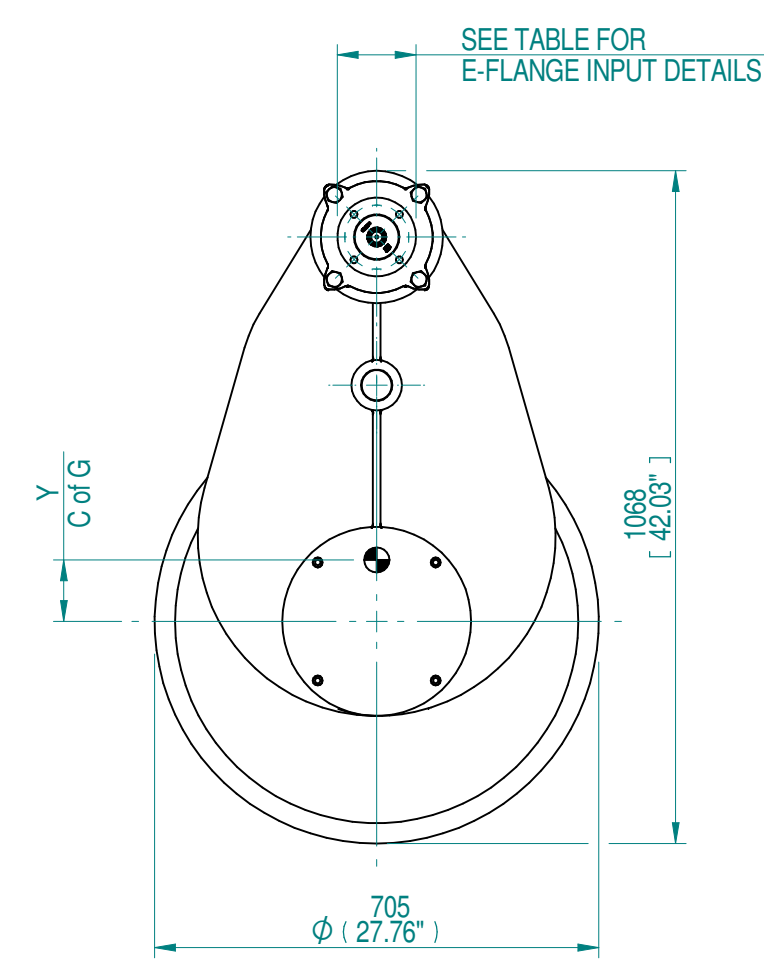
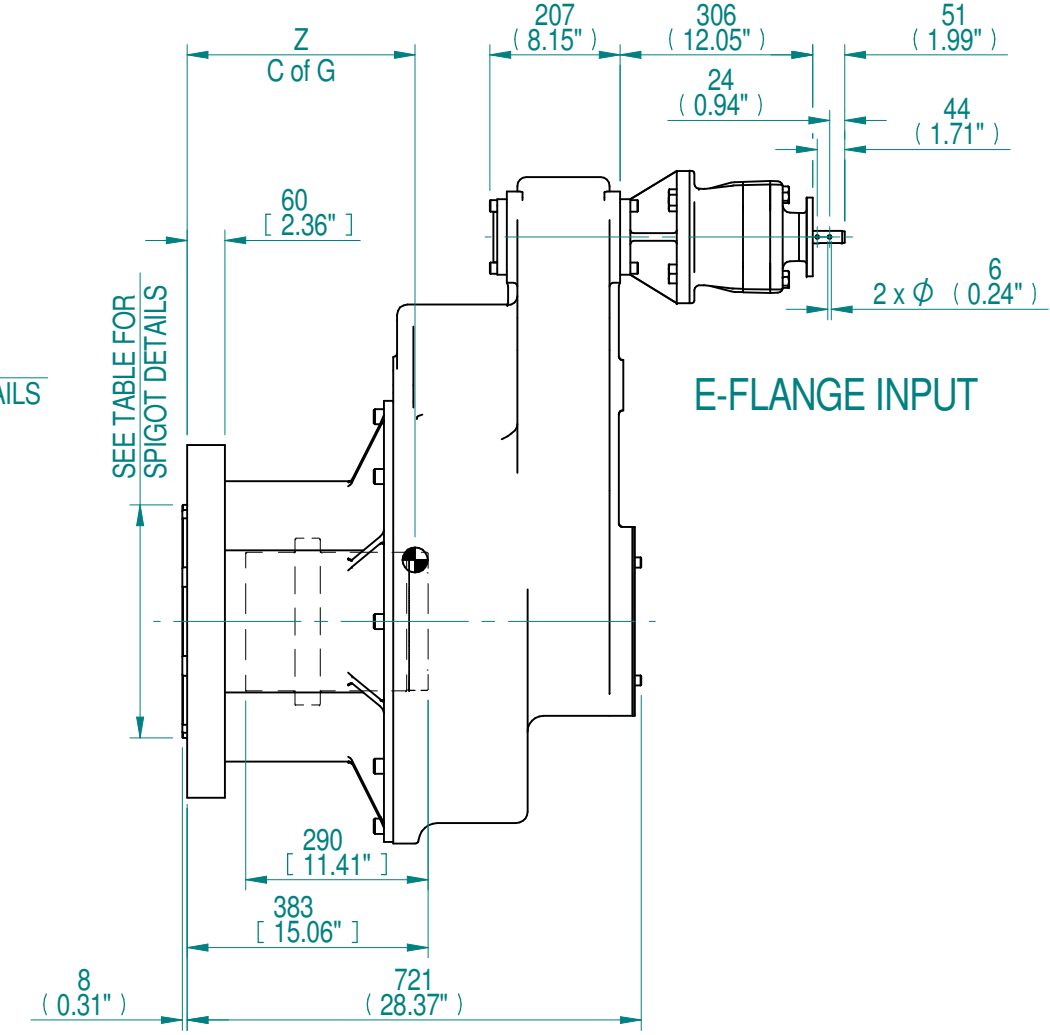


E-FLANGE INPUT DETAILS		MOUNTING HOLES - BOLT CIRCLE (OFF CENTRES)				STEM ACCEPTANCE IN ACCORDANCE TO STANDARD											
INPUT FLANGE	FLANGE O/DIA. + THICKNESS	SHAFT DIA.	RECESS DIA.	RECESS DEPTH	HOLE DETAILS (45° OFF CENTRES)	KEY DETAILS	ISO 5211 / MSS SP-101 MOUNTING OPTION	HOLE DETAILS (22.5° OFF CENTRES)	SPIGOT DIAMETER	MAX SCREW STEM ACCEPTANCE	STANDARD	MIN BORE	SQ KEY MAX BORE	SQ KEY SIZE	RECT. KEY MAX BORE	RECT. KEY SIZE	SQ BORE MAX
E-FLANGE	Ø125x11 (Ø4.92"x0.41")	19.98-0.05 (0.787"-0.002")	Ø70 +0.07 (Ø2.756"+0.003")	5.5 (0.217")	4 x Ø10.5 ON Ø102.0 P.C. (4 x Ø0.41" ON Ø4.02" P.C.)	6x6x36 (0.24"x0.24"x1.42")	F48	12 x M36 x 60 (2.36") DEEP ON Ø483.0 (Ø19.02") P.C.	Ø369.95-0.05 (Ø14.565"-0.002")	190 (7.375")	BS4235	-	-	-	170	40x22	□ 122.3 (4.815")
						FA48	8 x 1.25" UNC x 60 (2.36") DEEP ON Ø482.6 (Ø19.00") P.C.	Ø368.20-0.15 (Ø14.496"-0.006")	ANSI B17.1		-	6.125"	1 17/32" SQ.	6.500"	1 3/4" x 1 1/4"		
									DIN 6885		-	-	-	-	-		

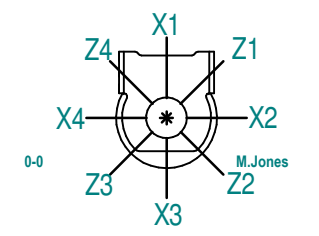


MOUNTING HOLES CAN BE PLACED ON-CENTRES BY REMOVING 8 BOLTS AND RE-POSITIONING.



- NOTES:
- CENTRE OF GRAVITY POSITION IS INDICATIVE FOR STANDARD BUILD WHEN IN POSITION SHOWN.
 - MPR IS NOT SUITABLE FOR MOTORISED APPLICATIONS.

PLAN VIEW OF GEARBOX IN CLOSED POSITION SHOWING STANDARD KEYWAY POSITIONS. ALTERNATIVES AVAILABLE ON REQUEST



662.4	479.1	2019-10-15	828.59 kg	46,100 Nm	96.2 Nm	0	98	362
RATIO	M.A.	WEIGHT	MAX OUTPUT	MAX INPUT	X	Y	Z	
DESCRIPTION			TORQUE		CENTRE OF GRAVITY			

AS PART OF CONTINUOUS PRODUCT DEVELOPMENT, ALL DETAILS SUBJECT TO CHANGE WITHOUT PRIOR NOTICE. FOR UP TO DATE DETAILS PLEASE VISIT www.rotork.com

	This drawing is confidential and is the property of Rotork Gears and must not be reproduced either wholly or partly. All rights in respect of patents, designs and copyrights are reserved. © 2019	Document Type	PUBLICITY	Mass	828.59 kg	Title	HOS19 MPR28 662.4 F48 GEARBOX E-FLANGE STANDARD / E-FLANGE INPUT REDUCER, F48/FA48 OUTPUT.	
				Dimensions in mm				
Created	M. Jones	10/05/2019	Drawing Number	PUB-HOS19MPR28-662.4-F48		Iss.	0-0	
Checked			Sheet	1	of	1	Size	A3
Approved	N. Coppe	2019-10-15						