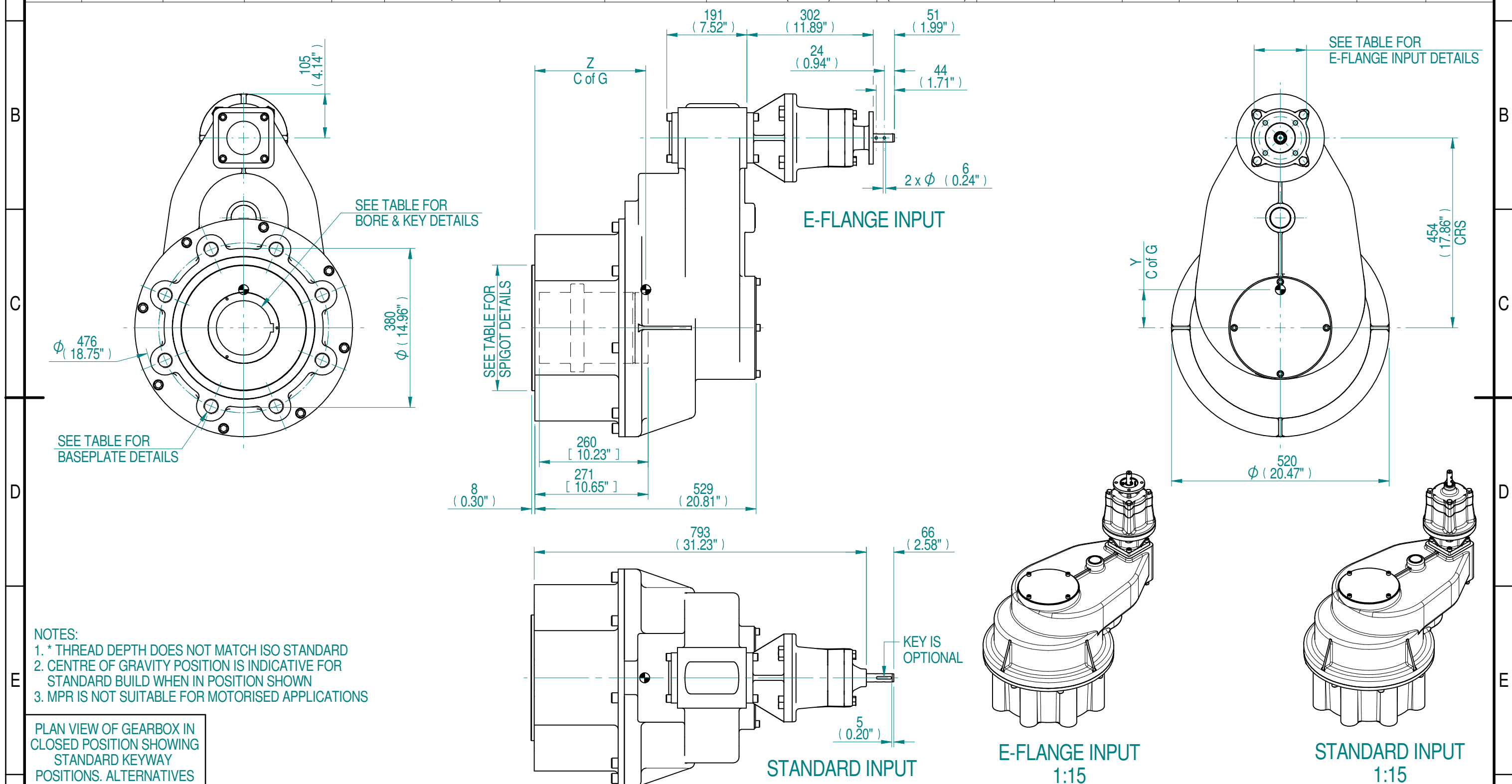
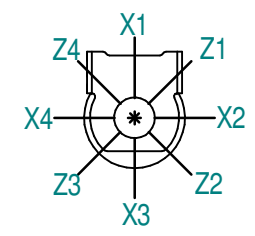


1	2				3		4			5		6			7			8	
	E-FLANGE INPUT DETAILS				MOUNTING HOLES - BOLT CIRCLE (OFF CENTRES)			STEM ACCEPTANCE IN ACCORDANCE TO STANDARD											
A	INPUT FLANGE	FLANGE O/DIA. + THICKNESS	SHAFT DIA.	RECESS DIA.	RECESS DEPTH	HOLE DETAILS (45° OFF CENTRES)	KEY DETAILS	ISO 5211 / MSS SP-101 MOUNTING OPTION	HOLE DETAILS (22.5° OFF CENTRES)	SPIGOT DIAMETER	MAX SCREW STEM ACCEPTANCE	STANDARD	MIN BORE	SQ KEY MAX BORE	SQ KEY SIZE	RECT. KEY MAX BORE	RECT. KEY SIZE	SQ BORE MAX	A
	E-FLANGE	Ø125x11 (Ø4.92"x0.41")	19.98-0.05 (0.787"-0.002")	Ø70 +0.07 (Ø2.756"+0.003")	5.5 (0.217")	4 x Ø10.5 ON Ø102.0 P.C. (4 x Ø0.41" ON Ø4.02" P.C.)	6x6x36 (0.24"x0.24"x1.42")	F40*	8 x M36 x 45 (1.77") DEEP ON Ø406.0 (Ø15.98") P.C.	Ø299.95-0.05 (Ø11.809"-0.002")	150 (5.906")	BS4235	-	-	-	130	32 x 18	□ 98.8 (3.890")	
							FA40	8 x 1.25" UNC x 45 (1.77") DEEP ON Ø406.4 (Ø16.00") P.C.	Ø228.60-0.15 (Ø9.000"-0.006")	ANSI B17.1		-	4.625"	1 1/4" SQ.	5.000"	1 1/4" x 7/8"			
										DIN 6885		-	-	-	-	-	-		



- NOTES:**
- * THREAD DEPTH DOES NOT MATCH ISO STANDARD
 - CENTRE OF GRAVITY POSITION IS INDICATIVE FOR STANDARD BUILD WHEN IN POSITION SHOWN
 - MPR IS NOT SUITABLE FOR MOTORISED APPLICATIONS

PLAN VIEW OF GEARBOX IN CLOSED POSITION SHOWING STANDARD KEYWAY POSITIONS. ALTERNATIVES AVAILABLE ON REQUEST



DESCRIPTION	TORQUE	CENTRE OF GRAVITY
230.4 RATIO	166.3 M.A.	394.38 kg WEIGHT
	19000 Nm MAX OUTPUT	114.3 Nm MAX INPUT
	0 X	91 Y
		265 Z

AS PART OF CONTINUOUS PRODUCT DEVELOPMENT, ALL DETAILS SUBJECT TO CHANGE WITHOUT PRIOR NOTICE. FOR UP TO DATE DETAILS PLEASE VISIT www.rotork.com

rotork Gears
LEEDS - UK
www.rotork.com

This drawing is confidential and is the property of Rotork Gears and must not be reproduced either wholly or partly. All rights in respect of patents, designs and copyrights are reserved. © 2019

Document Type	PUBLICITY	Mass	394.38 kg	Title	HOS16 MPR19 230.4 GEARBOX STANDARD / E-FLANGE INPUT REDUCER, F40/FA40 OUTPUT.	
Created	M JONES	01/04/2019	Dimensions in mm	Drawing Number	PUB-HOS16MPR19-230.4-F40	
Checked	N COOPE	04/04/2019	Scale	1:9	Iss.	01
Approved				Sheet	1 of 1	Size A3