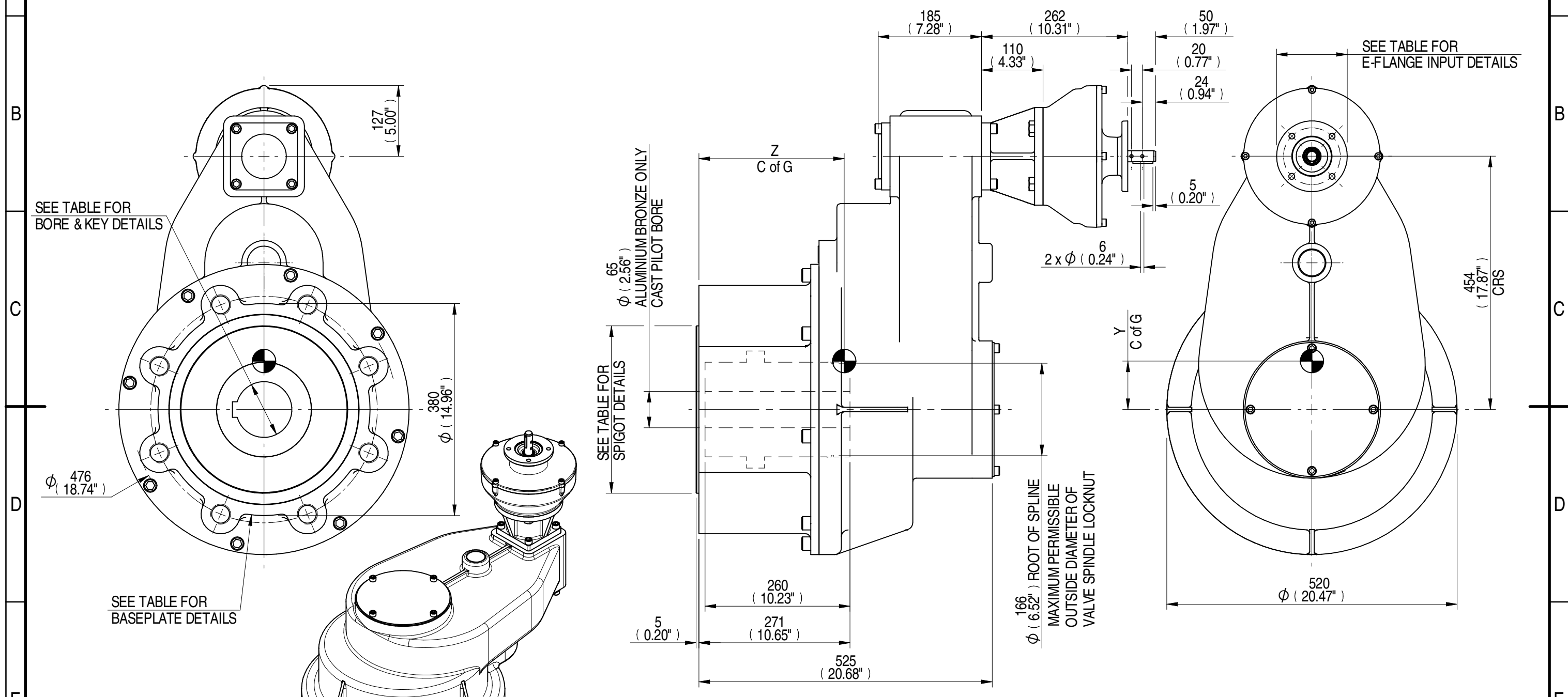
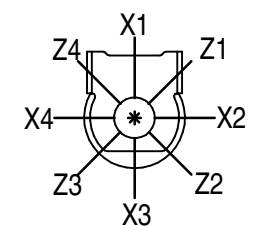


E-FLANGE INPUT DETAILS		MOUNTING HOLES - BOLT CIRCLE (OFF CENTRES)				STEM ACCEPTANCE IN ACCORDANCE TO STANDARD											
INPUT FLANGE	FLANGE O/DIA. + THICKNESS	SHAFT DIA.	RECESS DIA.	RECESS DEPTH	HOLE DETAILS (45° OFF CENTRES)	KEY DETAILS	ISO 5211 / MSS SP-101 MOUNTING OPTION	HOLE DETAILS (22.5° OFF CENTRES)	SPIGOT DIAMETER	MAX SCREW STEM ACCEPTANCE	STANDARD	MIN BORE	SQ KEY MAX BORE	SQ KEY SIZE	RECT. KEY MAX BORE	RECT. KEY SIZE	SQ BORE MAX
	Ø126x11 (Ø4.96"x0.41")	19.98-0.05 (0.787"-0.002")	Ø70.05+0.05 (Ø2.758"+0.002")	3 (0.12")	4 x Ø10.5 ON Ø102.0 P.C. (4 x Ø0.41" ON Ø4.02" P.C.)	6x6x40 (0.24"x0.24"x1.57")	F40	8 x M36 x 45 (1.77") DEEP ON Ø406.0 (Ø15.98") P.C.	Ø299.95-0.05 (Ø11.809"-0.002")	150 (5.906")	BS4235	-	-	-	130.0	32 x 18	□ 107.7 (4.240")
						FA40	8 x 1.25" UNC x 45 (1.77") DEEP ON Ø406.4 (Ø16.00") P.C.	Ø228.60-0.15 (Ø9.000"-0.006")	ANSI B17.1		-	4.625"	1 1/4" SQ.	5.000"	1 1/4" x 7/8"		
									DIN 6885		-	-	-	-	-		



PLAN VIEW OF GEARBOX IN CLOSED POSITION SHOWING STANDARD KEYWAY POSITIONS. ALTERNATIVES AVAILABLE ON REQUEST



- NOTES:
- \* THREAD DEPTH DOES NOT MATCH ISO STANDARD
  - CENTRE OF GRAVITY POSITION IS INDICATIVE FOR STANDARD BUILD WHEN IN POSITION SHOWN
  - MPR IS NOT SUITABLE FOR MOTORISED APPLICATIONS

AS PART OF CONTINUOUS PRODUCT DEVELOPMENT, ALL DETAILS SUBJECT TO CHANGE WITHOUT PRIOR NOTICE. FOR UP TO DATE DETAILS PLEASE VISIT [www.rotork.com](http://www.rotork.com)

DESCRIPTION	TORQUE	CENTRE OF GRAVITY
151.9 RATIO	116.20 M.A.	403.84 WEIGHT
		15917 MAX OUTPUT
		137 MAX INPUT
		0 X
		87 Y
		260 Z

**rotork**  
Gears  
LEEDS - UK  
[www.rotork.com](http://www.rotork.com)

This drawing is confidential and is the property of Rotork Gears and must not be reproduced either wholly or partly. All rights in respect of patents, designs and copyrights are reserved. © 2015

Document Type	<b>PUBLICITY</b>	Mass	403.84 kg	Title	HOS16 15:1 MPR10 GEARBOX E-FLANGE INPUT REDUCER, F40/FA40 OUTPUT.	
		Dimensions in mm				
		Scale	1:7			
Created	E CHANG	10/03/2015	Drawing Number	PUB-HOS16MPR10-151.9-E-F40		Iss. 01
Checked	J DICKINSON	17/03/2015	Sheet	1 of 1	Size	A3
Approved						