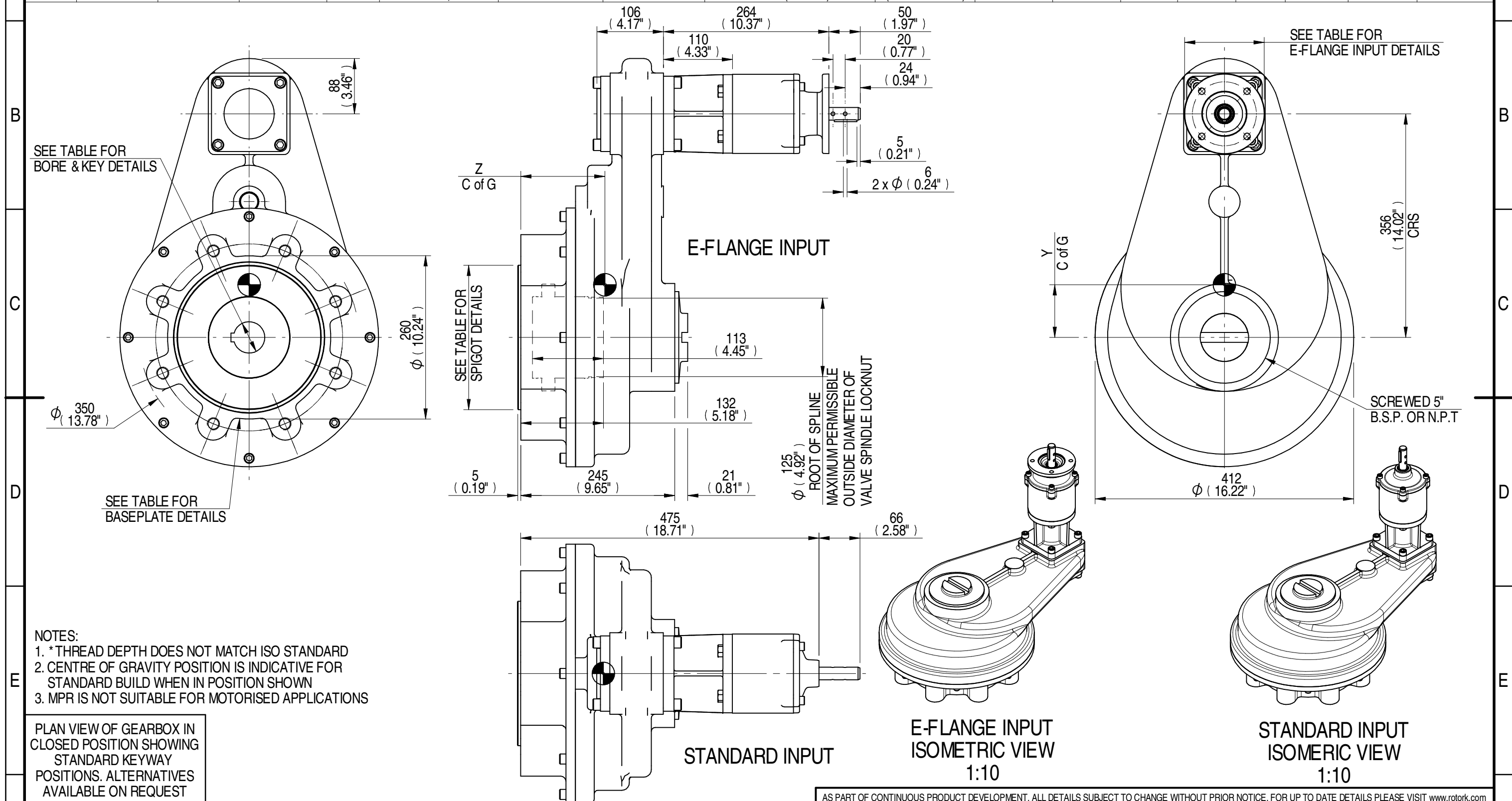
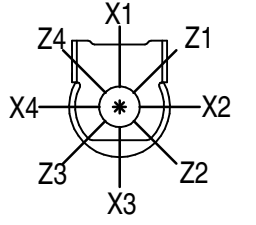


E-FLANGE INPUT DETAILS		MOUNTING HOLES - BOLT CIRCLE (OFF CENTRES)				STEM ACCEPTANCE IN ACCORDANCE TO STANDARD											
INPUT FLANGE	FLANGE O/DIA. + THICKNESS	SHAFT DIA.	RECESS DIA.	RECESS DEPTH	HOLE DETAILS (45° OFF CENTRES)	KEY DETAILS	ISO 5211 / MSS SP-101 MOUNTING OPTION	HOLE DETAILS (22.5° OFF CENTRES)	SPIGOT DIAMETER	MAX SCREW STEM ACCEPTANCE	STANDARD	MIN BORE	SQ KEY MAX BORE	SQ KEY SIZE	RECT. KEY MAX BORE	RECT. KEY SIZE	SQ BORE MAX
-	Ø126x11 (Ø4.96"x0.41")	19.98-0.05 (0.787"-0.002")	Ø70.05+0.05 (Ø2.758"+0.002")	3 (0.12")	4 x Ø10.5 ON Ø102.0 P.C. (4 x Ø0.41" ON Ø4.02" P.C.)	6x6x40 (0.24"x0.24"x1.57")	F30	8 x M20 x 25 (0.98") DEEP ON Ø298.0 (Ø11.73") P.C.	Ø229.95-0.05 (Ø9.053"-0.002")	100 (3.937")	BS4235	-	-	-	96.0	28 x 16	□ 80.9 (3.185")
						FA30	8 x 3/4" UNC x 25 (0.98") DEEP ON Ø298.5 (Ø11.75") P.C.	Ø177.70-0.05 (Ø6.996"-0.002")	ANSI B17.1		-	3.500"	7/8" SQ.	3.625"	1" x 3/4"		
									DIN 6885		-	-	-	-	-		



NOTES:  
 1. \* THREAD DEPTH DOES NOT MATCH ISO STANDARD  
 2. CENTRE OF GRAVITY POSITION IS INDICATIVE FOR STANDARD BUILD WHEN IN POSITION SHOWN  
 3. MPR IS NOT SUITABLE FOR MOTORISED APPLICATIONS

PLAN VIEW OF GEARBOX IN CLOSED POSITION SHOWING STANDARD KEYWAY POSITIONS. ALTERNATIVES AVAILABLE ON REQUEST



DESCRIPTION	TORQUE	CENTRE OF GRAVITY
61.3	5423	0
46.90	116	85
132.18	0	135
5423	0	85
116	0	135
0	85	135
85	135	
135		

AS PART OF CONTINUOUS PRODUCT DEVELOPMENT, ALL DETAILS SUBJECT TO CHANGE WITHOUT PRIOR NOTICE. FOR UP TO DATE DETAILS PLEASE VISIT [www.rotork.com](http://www.rotork.com)

**rotork** Gears  
 LEEDS - UK  
[www.rotork.com](http://www.rotork.com)

This drawing is confidential and is the property of Rotork Gears and must not be reproduced either wholly or partly. All rights in respect of patents, designs and copyrights are reserved. © 2015

Document Type	<b>PUBLICITY</b>	Mass	132.18 kg	Title	HOS11 15:1 MPR4 GEARBOX STANDARD/E-FLANGE INPUT REDUCER, F30/FA30 OUTPUT.	
Created	E CHANG	27/02/2015	Dimensions in mm	Drawing Number	PUB-HOS11MPR4-61.3-F30	
Checked	J DICKINSON	13/03/2015	Scale	1:6	Iss.	01
Approved				Sheet	1 of 1	Size A3