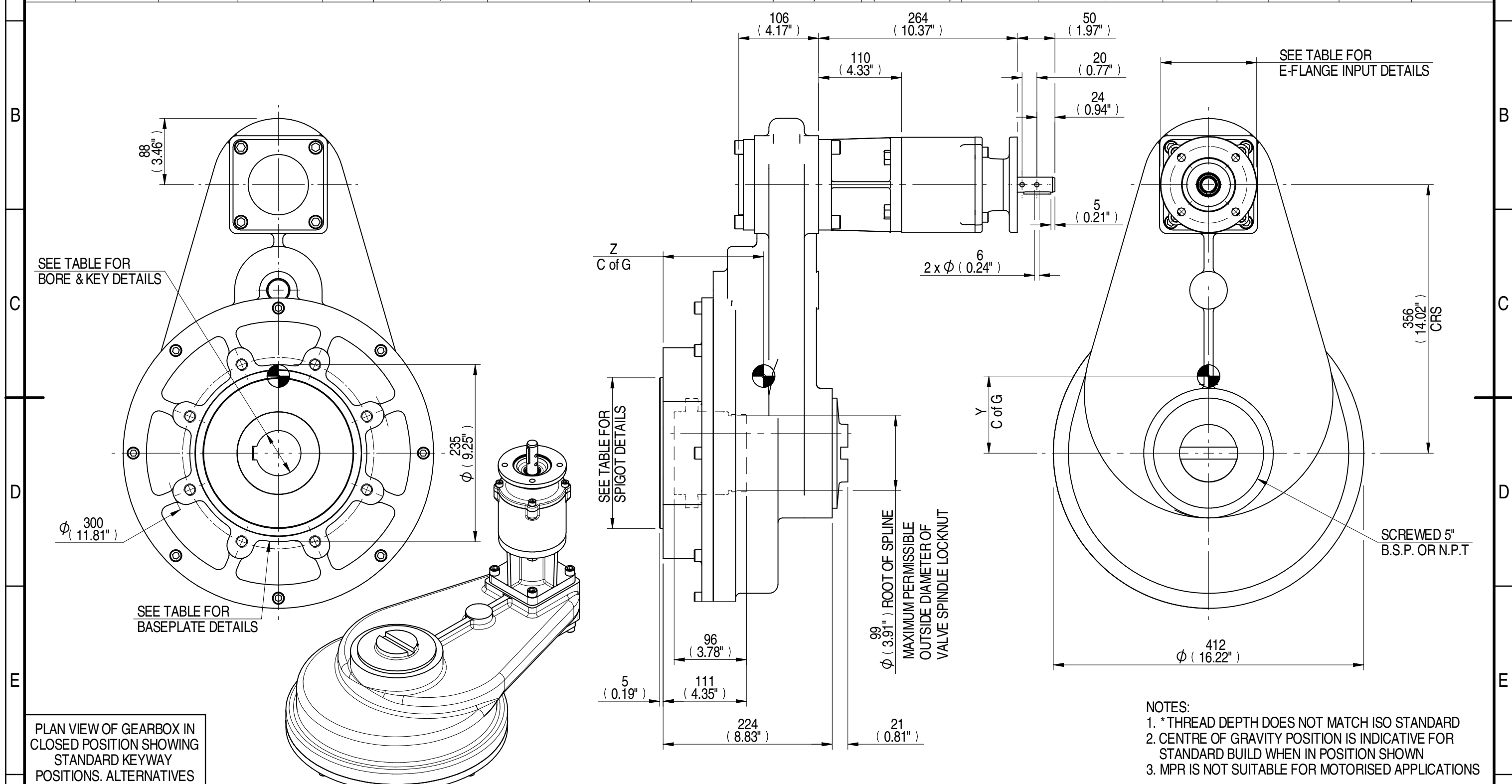
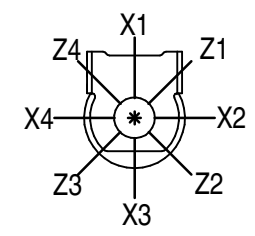


1	2			3		4			5		6			7		8	
E-FLANGE INPUT DETAILS						MOUNTING HOLES - BOLT CIRCLE (OFF CENTRES)				STEM ACCEPTANCE IN ACCORDANCE TO STANDARD							
INPUT FLANGE	FLANGE O/DIA. + THICKNESS	SHAFT DIA.	RECESS DIA.	RECESS DEPTH	HOLE DETAILS (45° OFF CENTRES)	KEY DETAILS	ISO 5211 / MSS SP-101 MOUNTING OPTION	HOLE DETAILS (22.5° OFF CENTRES)	SPIGOT DIAMETER	MAX SCREW STEM ACCEPTANCE	STANDARD	MIN BORE	SQ KEY MAX BORE	SQ KEY SIZE	RECT. KEY MAX BORE	RECT. KEY SIZE	SQ BORE MAX
	Ø126x11 (Ø4.96"x0.41")	19.98-0.05 (0.787"-0.002")	Ø70.05+0.05 (Ø2.758"+0.002")	3 (0.12")	4 x Ø10.5 ON Ø102.0 P.C. (4 x Ø0.41" ON Ø4.02" P.C.)	6x6x40 (0.24"x0.24"x1.57")	F25	8 x M16 x 20 (0.79") DEEP ON Ø254.0 (Ø10.00") P.C.	Ø199.95-0.05 (Ø7.872"-0.002")	86 (3.386")	BS4235	-	-	-	76.0	22 x 14	□ 56.6 (2.228")
						FA25	8 x 5/8" UNC x 20 (0.79") DEEP ON Ø254.4 (Ø10.00") P.C.	Ø152.25-0.05 (Ø5.994"-0.002")	ANSI B17.1		-	2.750"	3/4" SQ.	3.000"	3/4" x 1/2"		
									DIN 6885		-	-	-	-	-		



PLAN VIEW OF GEARBOX IN CLOSED POSITION SHOWING STANDARD KEYWAY POSITIONS. ALTERNATIVES AVAILABLE ON REQUEST



DESCRIPTION	TORQUE	CENTRE OF GRAVITY
88	67.30	110.89
RATIO	M.A.	WEIGHT
5423	81	0
MAX OUTPUT	MAX INPUT	X
		Y
		Z

- NOTES:
- * THREAD DEPTH DOES NOT MATCH ISO STANDARD
 - CENTRE OF GRAVITY POSITION IS INDICATIVE FOR STANDARD BUILD WHEN IN POSITION SHOWN
 - MPR IS NOT SUITABLE FOR MOTORISED APPLICATIONS

AS PART OF CONTINUOUS PRODUCT DEVELOPMENT, ALL DETAILS SUBJECT TO CHANGE WITHOUT PRIOR NOTICE. FOR UP TO DATE DETAILS PLEASE VISIT www.rotork.com

<p>LEEDS - UK www.rotork.com</p>	<p>This drawing is confidential and is the property of Rotork Gears and must not be reproduced either wholly or partly. All rights in respect of patents, designs and copyrights are reserved. © 2015</p>	Document Type PUBLICITY	Mass 110.89 kg	Title
		<p>Dimensions in mm Scale 1:5</p>		<p>HOS10 15:1 MPR6 GEARBOX E-FLANGE INPUT REDUCER, F25/FA25 OUTPUT.</p>
Created	E CHANG	27/02/2015	Drawing Number	
Checked	J DICKINSON	13/03/2015	PUB-HOS10MPR6-88-E-F25	
Approved			Sheet 1 of 1	Size A3