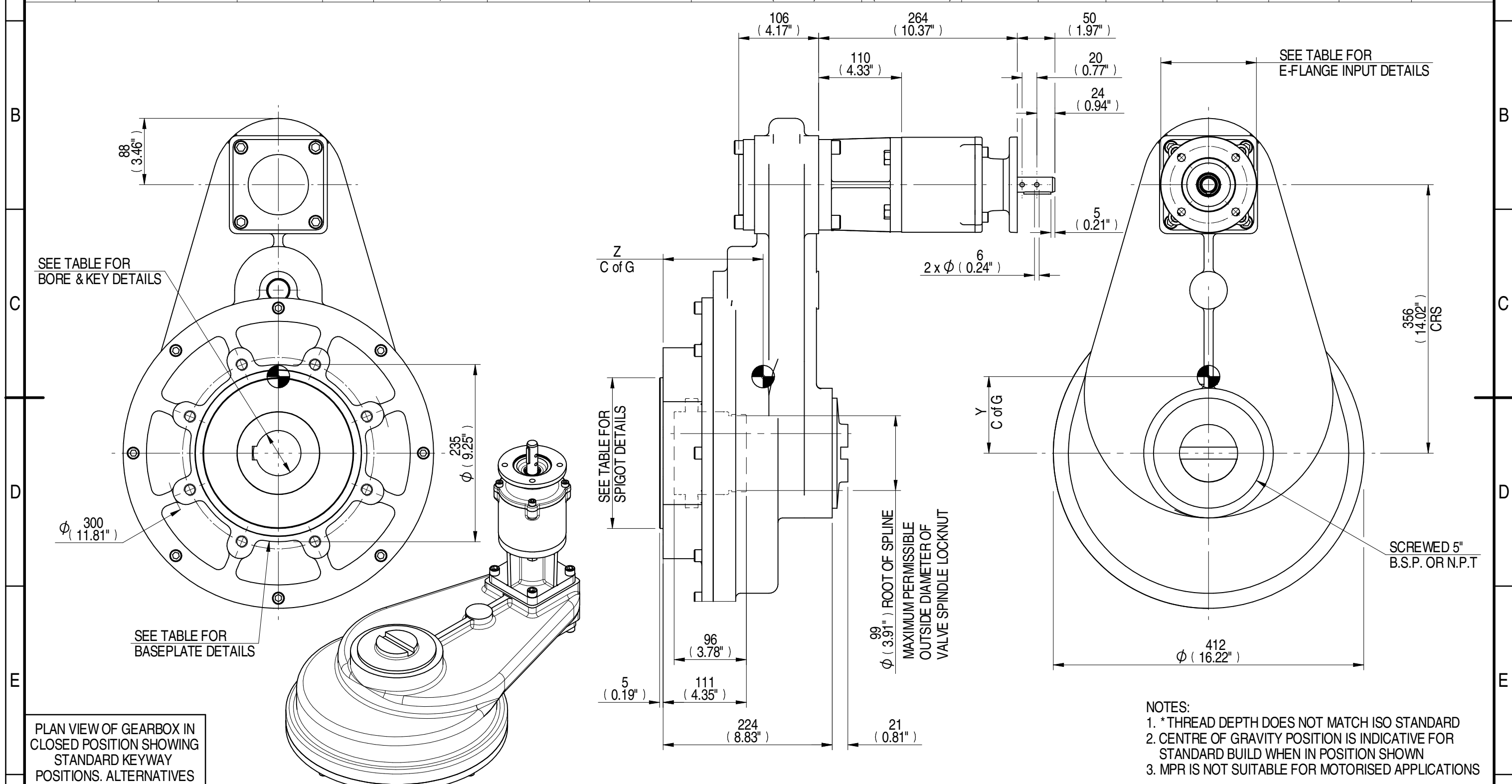


| 1 | 2 | | | 3 | | 4 | | | 5 | | 6 | | | 7 | | 8 | |
|------------------------|---------------------------|----------------------------|------------------------------|--------------|--|--|---|--|-------------------------------|---|----------|----------|-----------------|-------------|--------------------|----------------|-----------------|
| E-FLANGE INPUT DETAILS | | | | | | MOUNTING HOLES - BOLT CIRCLE (OFF CENTRES) | | | | STEM ACCEPTANCE IN ACCORDANCE TO STANDARD | | | | | | | |
| INPUT FLANGE | FLANGE O/DIA. + THICKNESS | SHAFT DIA. | RECESS DIA. | RECESS DEPTH | HOLE DETAILS (45° OFF CENTRES) | KEY DETAILS | ISO 5211 / MSS SP-101 MOUNTING OPTION | HOLE DETAILS (22.5° OFF CENTRES) | SPIGOT DIAMETER | MAX SCREW STEM ACCEPTANCE | STANDARD | MIN BORE | SQ KEY MAX BORE | SQ KEY SIZE | RECT. KEY MAX BORE | RECT. KEY SIZE | SQ BORE MAX |
| | Ø126x11 (Ø4.96"x0.41") | 19.98-0.05 (0.787"-0.002") | Ø70.05+0.05 (Ø2.758"+0.002") | 3 (0.12") | 4 x Ø10.5 ON Ø102.0 P.C. (4 x Ø0.41" ON Ø4.02" P.C.) | 6x6x40 (0.24"x0.24"x1.57") | F25 | 8 x M16 x 20 (0.79") DEEP ON Ø254.0 (Ø10.00") P.C. | Ø199.95-0.05 (Ø7.872"-0.002") | 86 (3.386") | BS4235 | - | - | - | 76.0 | 22 x 14 | □ 56.6 (2.228") |
| | | | | | | FA25 | 8 x 5/8" UNC x 20 (0.79") DEEP ON Ø254.4 (Ø10.00") P.C. | Ø152.25-0.05 (Ø5.994"-0.002") | ANSI B17.1 | | - | 2.750" | 3/4" SQ. | 3.000" | 3/4" x 1/2" | | |
| | | | | | | | | | DIN 6885 | | - | - | - | - | - | | |



| AS PART OF CONTINUOUS PRODUCT DEVELOPMENT, ALL DETAILS SUBJECT TO CHANGE WITHOUT PRIOR NOTICE. FOR UP TO DATE DETAILS PLEASE VISIT www.rotork.com | | | | | | | | | |
|--|--|----------------------------|--|---|--|--|--|------------------------|--|
| <p>rotork Gears LEEDS - UK www.rotork.com</p> <p>This drawing is confidential and is the property of Rotork Gears and must not be reproduced either wholly or partly. All rights in respect of patents, designs and copyrights are reserved. © 2015</p> | | | | | | | | | |
| Document Type PUBLICITY | | Mass 110.57 kg | | Title HOS10 15:1 MPR4 GEARBOX E-FLANGE INPUT REDUCER, F25/FA25 OUTPUT. | | Created E CHANG | | Date 24/02/2015 | |
| Created E CHANG | | Checked J DICKINSON | | Approved | | Drawing Number PUB-HOS10MPR4-61.3-E-F25 | | Iss. 01 | |
| Ratio 61.3 | | M.A. 46.90 | | Weight 110.57 | | Max Output 5423 | | Max Input 116 | |
| Description | | Torque | | Centre of Gravity | | X 0 | | Y 101 | |
| Z 133 | | Sheet 1 of 1 | | Size A3 | | | | | |