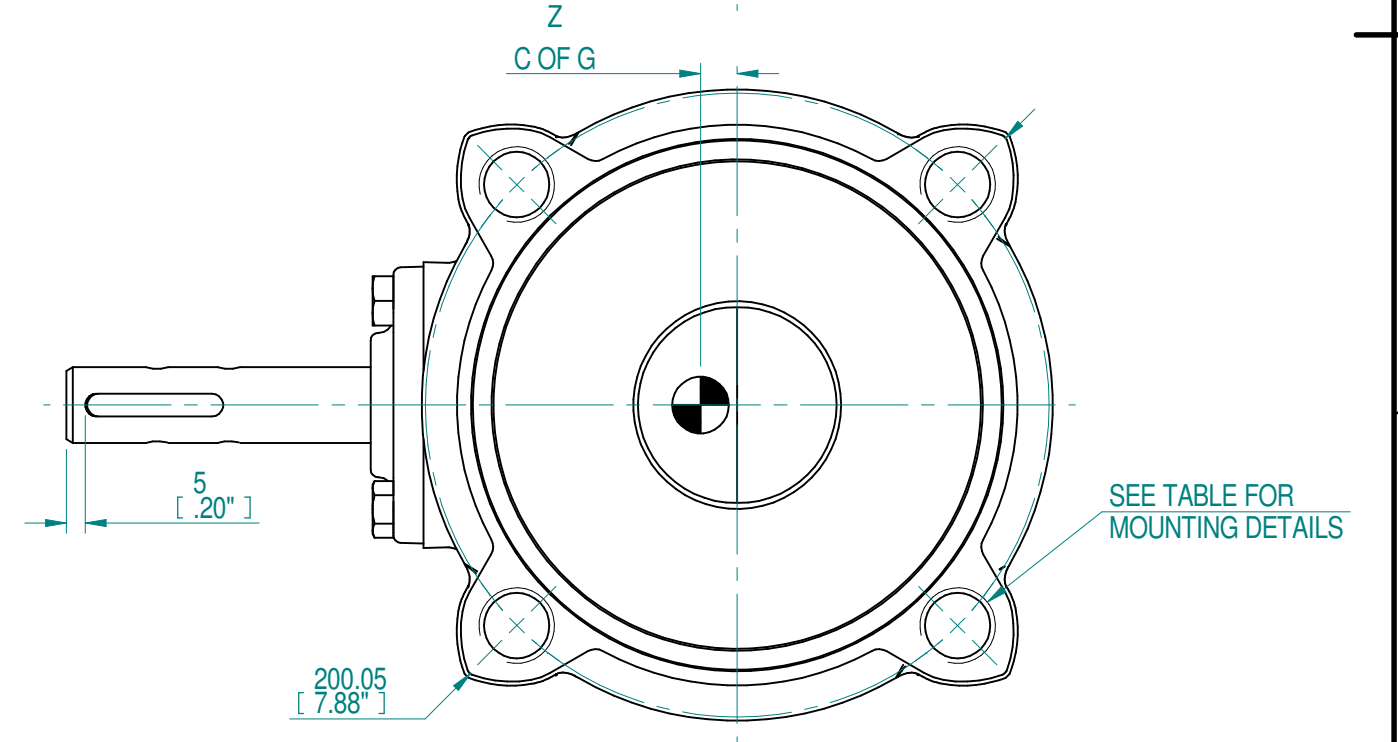
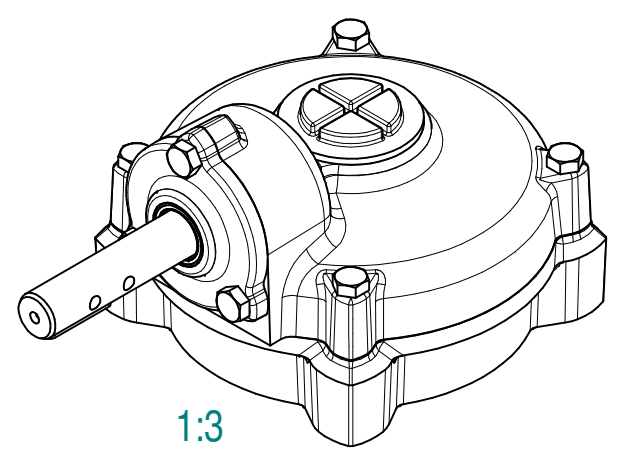
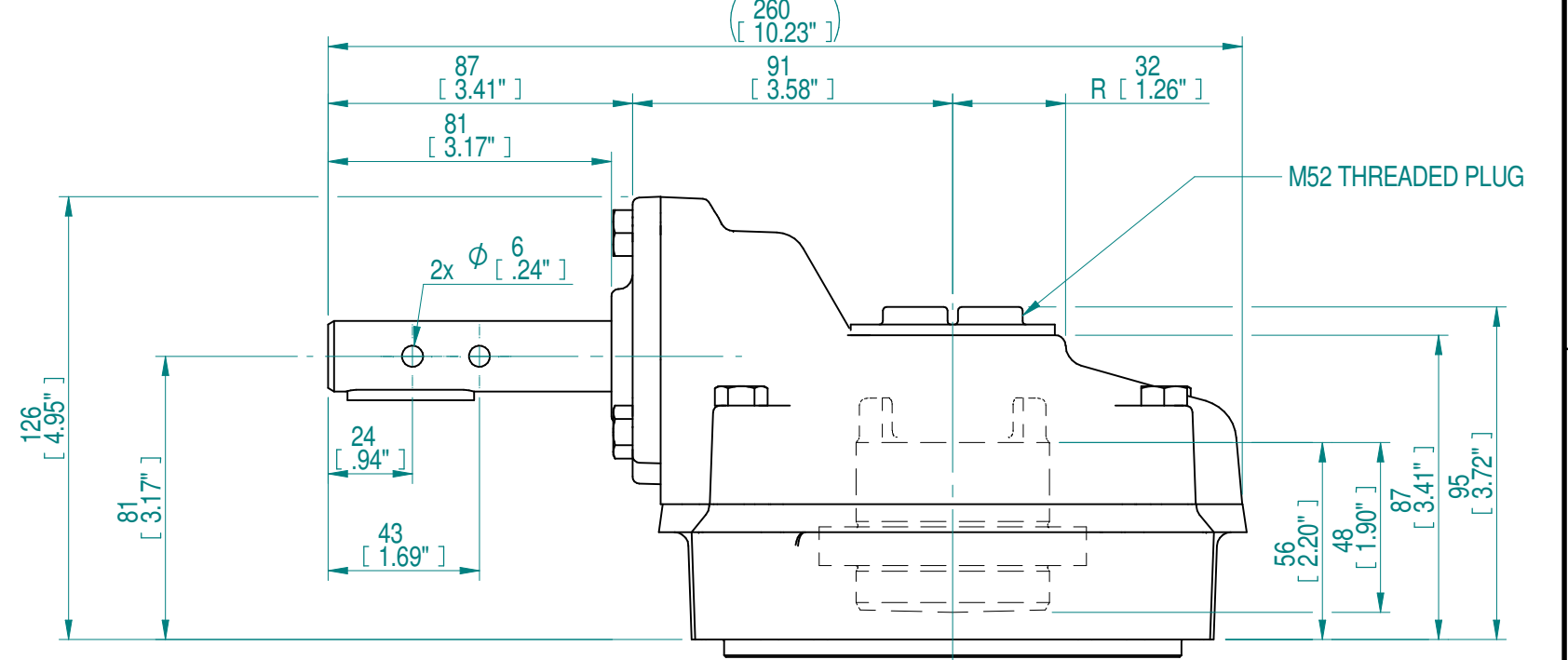
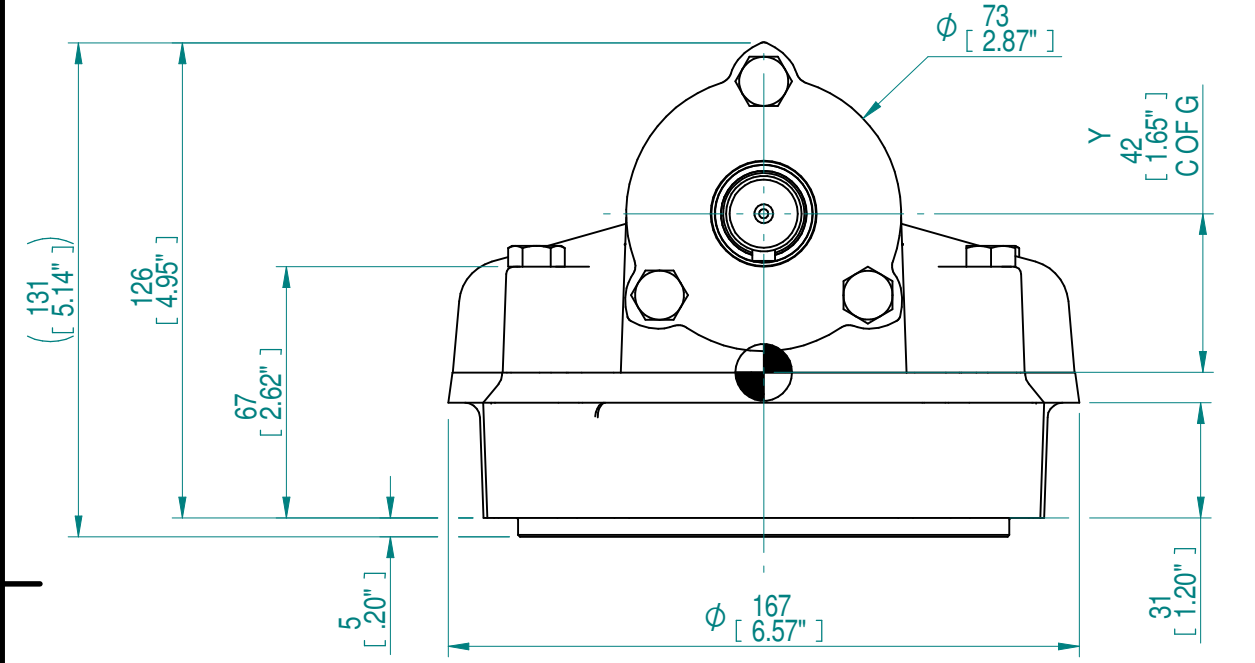
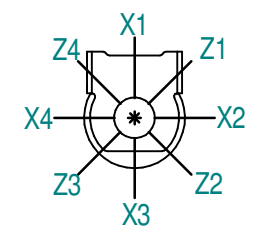


KEYWAY MACHINING (1 OR 2 KEYS AT 180°)				
STANDARD	SQ KEY MAX BORE	SQ KEY SIZE	RECT. KEY MAX	RECT. KEY SIZE
BS4235	1.500"	□3/8"	40	12 x 8
BS46			7/16" x 5/16"	
ANSI B17.1			3/8" x 1/4"	
DIN 6885			40	12 x 8
KEYWAY MACHINING (4, 3 OR 2 KEYS AT 90°)				
STANDARD	SQ KEY MAX BORE	SQ KEY SIZE	RECT. KEY MAX	RECT. KEY SIZE
BS4235	1.250"	□5/16"	32	12 x 8
BS46			3/8" x 1/4"	
ANSI B17.1			5/16" x 1/4"	
DIN 6885			32	12 x 8

STEM ACCEPTANCE IN ACCORDANCE TO STANDARD			INPUT DETAILS		MOUNTING HOLES - BOLT CIRCLE (OFF CENTRES)		
MAX SCREW STEM ACCEPTANCE	MAX SQ BORE	MAX SLOT SIZE	SHAFT DIA.	KEY DETAILS	ISO 5211 / MSS SP-101 MOUNTING OPTION	HOLE DETAILS (OFF CENTRES)	SPIGOT DIAMETER
40 (1.57")	□28 (1.10")	40 x 28AF (1.57" x 1.10"AF)	Ø20-0.10 (0.787"-0.004")	6x6x36 (0.24"x0.24"x1.42")	F16	4xM20x20 (0.79") DEEP ON Ø165 (Ø6.50") P.C.	Ø129.95-0.05 (Ø5.12"-0.02")
					FA16	4x3/4-10"UNCx20 (0.79") DEEP ON Ø165.1 (Ø6.50") P.C.	Ø126.96-0.03 (Ø5.998"-0.01")



PLAN VIEW OF GEARBOX IN CLOSED POSITION SHOWING STANDARD KEYWAY POSITIONS. ALTERNATIVES AVAILABLE ON REQUEST



NOTES:
 1. * THREAD DEPTH DOES NOT MATCH ISO STANDARD
 2. CENTRE OF GRAVITY POSITION IS INDICATIVE FOR STANDARD BUILD WHEN IN POSITION SHOWN

3	N/A	2.6	7.4Kg	270Nm	108Nm	0	42	10
RATIO	TURNS TO CLOSE	M.A. ±15%	WEIGHT	MAX OUTPUT	MAX INPUT	X	Y	Z
DESCRIPTION				TORQUE		CENTRE OF GRAVITY		

AS PART OF CONTINUOUS PRODUCT DEVELOPMENT, ALL DETAILS SUBJECT TO CHANGE WITHOUT PRIOR NOTICE. FOR UP TO DATE DETAILS PLEASE VISIT www.rotork.com

	Document Type PUBLICITY	Title HOB3 PUBLICITY ASSEMBLY - F16/FA16 OUTPUT HOB3	
	Dimensions in mm	Drawing Number PUB-HOB3-F16_FA16	
			Iss. 0-0
www.rotork.com		Sheet 1 of 1	Size A3