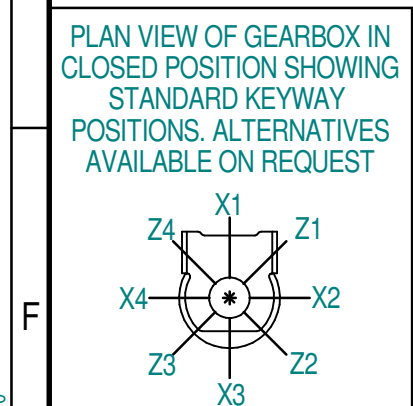
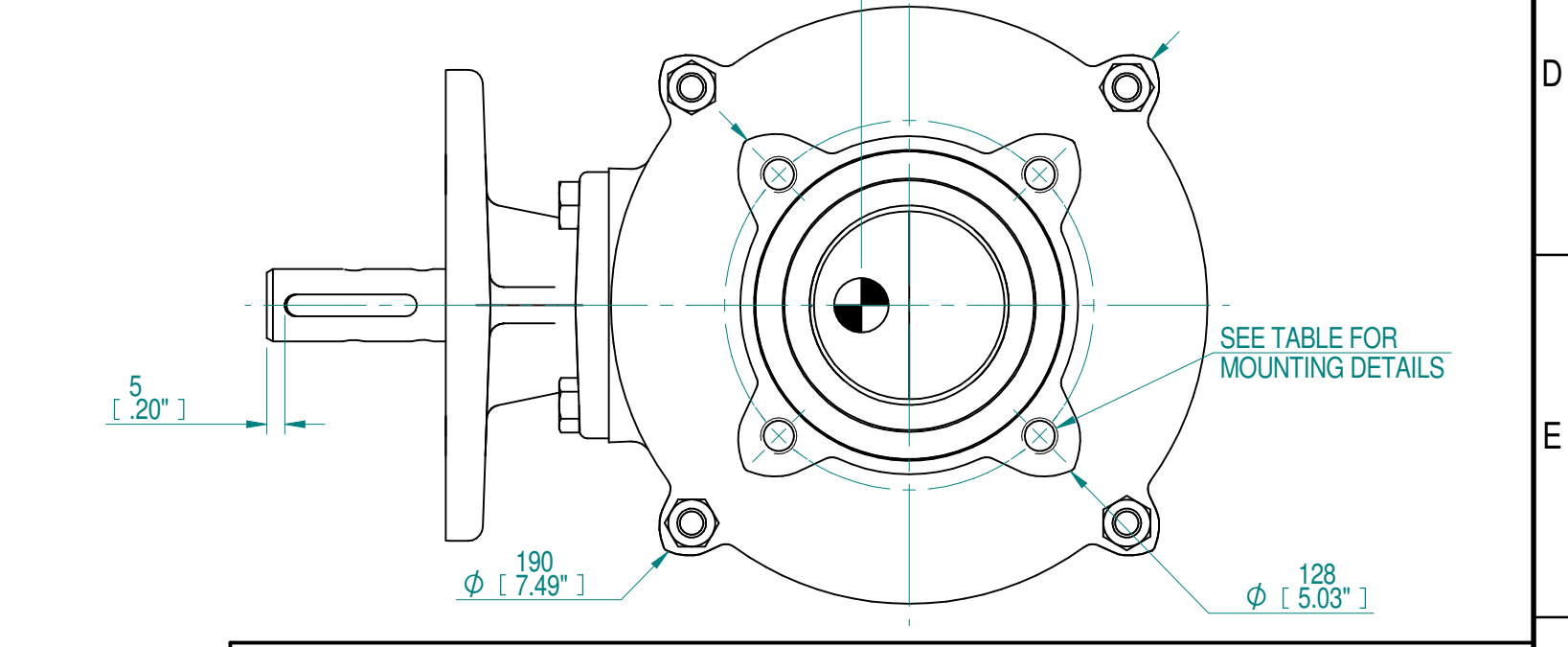
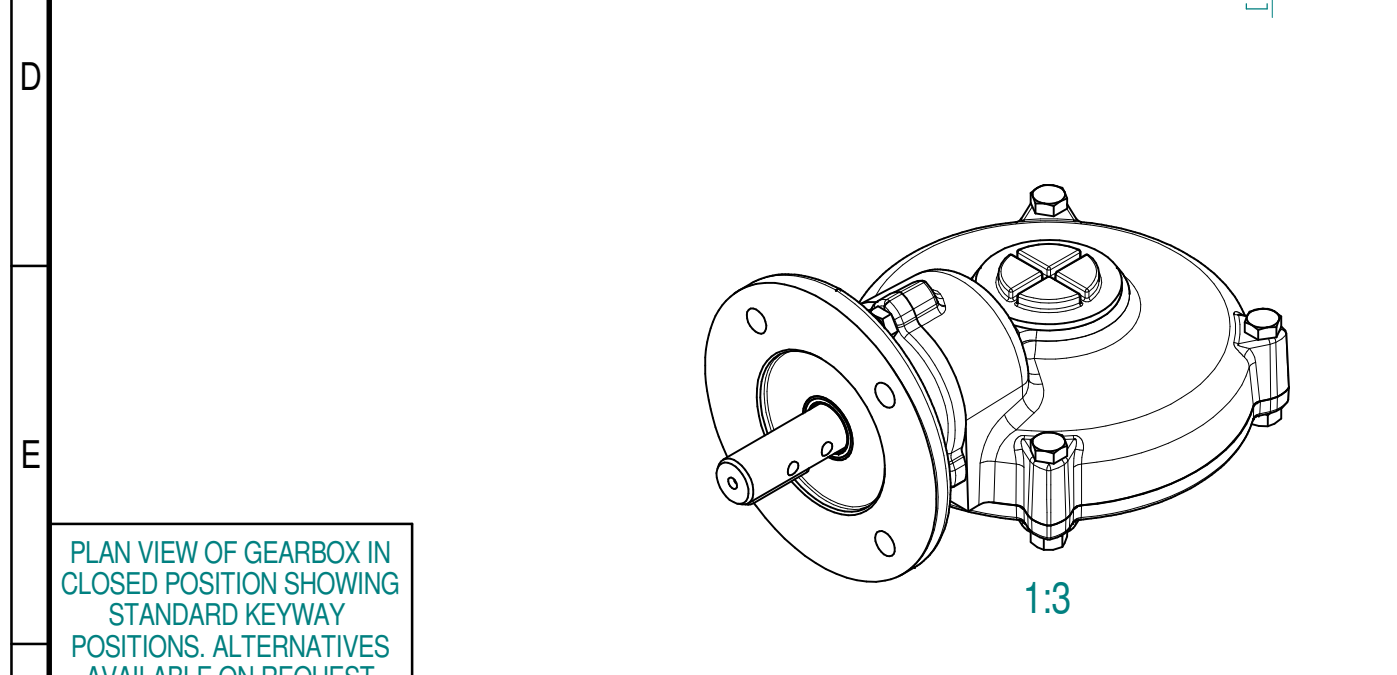
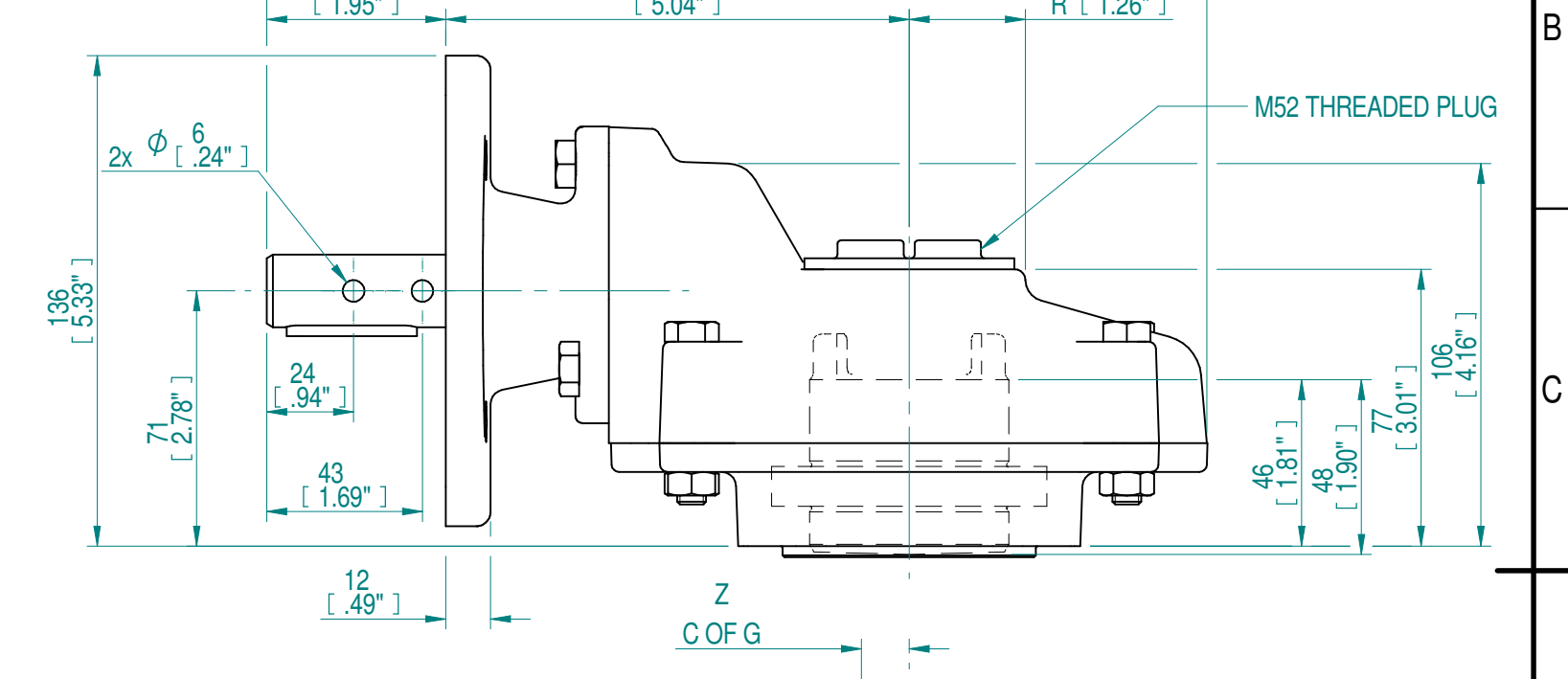
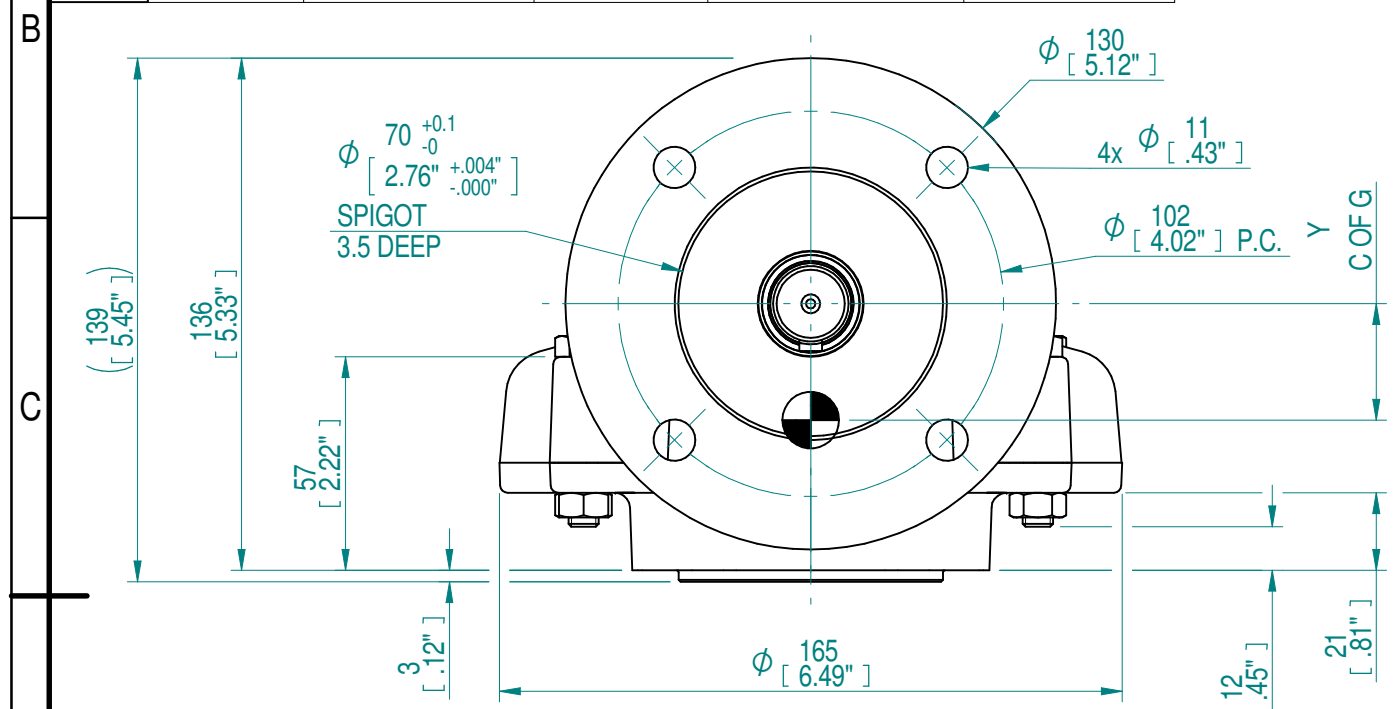


KEYWAY MACHINING (1 OR 2 KEYS AT 180°)					STEM ACCEPTANCE IN ACCORDANCE TO STANDARD			INPUT DETAILS		MOUNTING HOLES - BOLT CIRCLE (OFF CENTRES)		
STANDARD	SQ KEY MAX BORE	SQ KEY SIZE	RECT. KEY MAX	RECT. KEY SIZE	MAX SCREW STEM ACCEPTANCE	MAX SQ BORE	MAX SLOT SIZE	SHAFT DIA.	KEY DETAILS	ISO 5211 / MSS SP-101 MOUNTING OPTION	HOLE DETAILS (OFF CENTRES)	SPIGOT DIAMETER
BS4235	1.500"	□3/8"	40	12 x 8	40 (1.57")	□28 (1.10")	40 x 28AF (1.57" x 1.10"AF)	Ø20-0.10 (0.787"-0.004")	6x6x36 (0.24"x0.24"x1.42")	F10	4xM10x15 (0.59") DEEP ON Ø102 (Ø4.02") P.C.	Ø69.95-0.05 (Ø2.75"-0.02")
BS46			7/16" x 5/16"									
ANSI B17.1 DIN 6885			40	12 x 8								
KEYWAY MACHINING (4, 3 OR 2 KEYS AT 90°)												
STANDARD	SQ KEY MAX BORE	SQ KEY SIZE	RECT. KEY MAX	RECT. KEY SIZE								
BS4235	1.250"	□5/16"	32	12 x 8								
BS46			3/8" x 1/4"									
ANSI B17.1 DIN 6885			32	12 x 8								



NOTES:  
1. CENTRE OF GRAVITY POSITION IS INDICATIVE FOR STANDARD BUILD WHEN IN POSITION SHOWN

3	N/A	2.6	8.6Kg	270Nm	108Nm	0	31	13
RATIO	TURNS TO CLOSE	M.A. ±15%	WEIGHT	MAX OUTPUT	MAX INPUT	X	Y	Z
DESCRIPTION			TORQUE			CENTRE OF GRAVITY		

AS PART OF CONTINUOUS PRODUCT DEVELOPMENT, ALL DETAILS SUBJECT TO CHANGE WITHOUT PRIOR NOTICE. FOR UP TO DATE DETAILS PLEASE VISIT [www.rotork.com](http://www.rotork.com)

**rotork** Gears  
LEEDS - UK  
[www.rotork.com](http://www.rotork.com)

This drawing is confidential and is the property of Rotork Gears and must not be reproduced either wholly or partly. All rights in respect of patents, designs and copyrights are reserved. ©2016

Document Type **PUBLICITY**  
Dimensions in mm

Title **HOB3 PUBLICITY ASSEMBLY - E-FLANGE INPUT - F10/FA10 OUTPUT HOB3**  
Drawing Number **PUB-HOB3-EFLG-F10\_FA10** Iss. 0-0

Sheet 1 of 1 Size A3

Rev:0-0